



Alcoswitch

TE Internal #: 1-1437579-9

Slide Switches, Double Pole - Double Throw Configuration (Pole-Throw), Vertical, Copper, Single Actuator, 2 Position, Operating Function On None On

[View on TE.com >](#)

Relays, Contactors & Switches > Switches > Slide Switches



Configuration (Pole-Throw): **Double Pole - Double Throw**

Slide Switch Mounting Angle: **Vertical**

Contact Base Material: **Copper**

Number of Actuators: **Single**

Number of Slide Switch Positions: **2**

Features

Product Type Features

Threaded Case	Without
Switch Type	Slide
Product Type	Switch
Terminal Configuration	Standard
Actuator Style	Top

Configuration Features

Terminals Connected	2-3
Configuration (Pole-Throw)	Double Pole - Double Throw
Number of Actuators	Single
Number of Slide Switch Positions	2
Operating Function	On None On

Electrical Characteristics

Slide Switch Voltage Rating (VDC)	20
-----------------------------------	----

Body Features

Actuator Material	Polyester
Actuator Color	Black

Contact Features

Contact Base Material	Copper
-----------------------	--------



Slide Switch Contact Current Rating	.4 A
-------------------------------------	------

Switch Contact Plating Material	Gold
---------------------------------	------

Termination Features

Termination Type	PC
------------------	----

Mechanical Attachment

PCB Mount Retention Type	Extended
--------------------------	----------

Slide Switch Mounting Angle	Vertical
-----------------------------	----------

Slide Switch Mounting Type	Through Hole
----------------------------	--------------

Dimensions

PCB Tail Length	3.3 mm[.13 in]
-----------------	----------------

Actuator Length	2.79 mm[.11 in]
-----------------	-----------------

Width	9.14 mm[.36 in]
-------	-----------------

Length	10.16 mm[.4 in]
--------	-----------------

Identification Marking

Stamped Marking	With
-----------------	------

Industry Standards

UL Flammability Rating	UL 94V-0
------------------------	----------

Product Compliance

[For compliance documentation, visit the product page on TE.com>](#)

EU RoHS Directive 2011/65/EU	Not Yet Reviewed
------------------------------	------------------

EU ELV Directive 2000/53/EC	Not Compliant
-----------------------------	---------------

China RoHS 2 Directive MIIT Order No 32, 2016	Restricted Materials Above Threshold
-----------------------------------------------	--------------------------------------

EU REACH Regulation (EC) No. 1907/2006	Current ECHA Candidate List: JAN 2021 (211) Candidate List Declared Against: JUN 2016 (169) SVHC > Threshold: Not Yet Reviewed
----------------------------------------	-----------------------------------------------------------------------------------------------------------------------------------------

Halogen Content	Not Yet Reviewed for halogen content
-----------------	--------------------------------------


Solder Process Capability	Wave solder capable to 265°C
---------------------------	------------------------------

Product Compliance Disclaimer

This information is provided based on reasonable inquiry of our suppliers and represents our current actual knowledge based on the information they provided. This information is subject to change. The part numbers that TE has identified as EU RoHS compliant have a maximum concentration of 0.1% by weight in homogenous materials for lead, hexavalent

chromium, mercury, PBB, PBDE, DBP, BBP, DEHP, DIBP, and 0.01% for cadmium, or qualify for an exemption to these limits as defined in the Annexes of Directive 2011/65/EU (RoHS2). Finished electrical and electronic equipment products will be CE marked as required by Directive 2011/65/EU. Components may not be CE marked. Additionally, the part numbers that TE has identified as EU ELV compliant have a maximum concentration of 0.1% by weight in homogenous materials for lead, hexavalent chromium, and mercury, and 0.01% for cadmium, or qualify for an exemption to these limits as defined in the Annexes of Directive 2000/53/EC (ELV). Regarding the REACH Regulations, TE's information on SVHC in articles for this part number is still based on the European Chemical Agency (ECHA) 'Guidance on requirements for substances in articles' (Version: 2, April 2011), applying the 0.1% weight on weight concentration threshold at the finished product level. TE is aware of the European Court of Justice ruling of September 10th, 2015 also known as O5A (Once An Article Always An Article) stating that, in case of 'complex object', the threshold for a SVHC must be applied to both the product as a whole and simultaneously to each of the articles forming part of its composition. TE has evaluated this ruling based on the new ECHA "Guidance on requirements for substances in articles" (June 2017, version 4.0) and will be updating its statements accordingly.


Compatible Parts




TE Part # 1571984-1
TSS11DGRA04=SLIDE SWITCH SPDT



TE Part # 1571982-3
TSS11EG1PC04=SLIDE SWITCH SPDT



TE Part # 1-1437579-1
TSS11DGRA=SWITCH SLIDE RA TERM



TE Part # 1571985-2
TSS11EG1RA04=SLIDE SWITCH SPDT



TE Part # 1-1437579-3
TSS11EG1RA=SWITCH SLIDE RA TER


Customers Also Bought



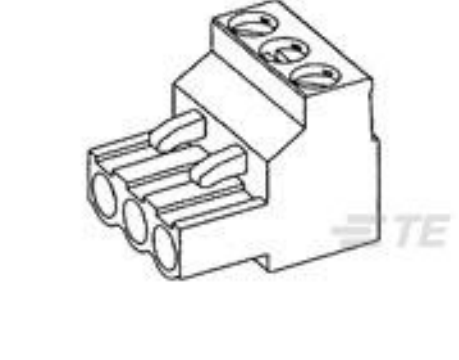
TE Part #0462-209-16141
DEUTSCH SOLID CONTACTS



TE Part #1-2273082-3
M12 A-CODE MALE R/A PIGTAIL



TE Part #1-284414-1
TERMI-BLOK 900 PCB 11 POS 3,5



TE Part #1-796640-8
18 POS 5.0 MM R/A PLUG, TRM BLK



Documents

Product Drawings

[TSS21NGPC=SWITCH SLIDE P/C TER](#)

English

CAD Files

3D PDF

3D

Customer View Model

[ENG_CVM_CVM_1-1437579-9_B.2d_dxf.zip](#)

English

Customer View Model

[ENG_CVM_CVM_1-1437579-9_B.3d_igs.zip](#)

English

Customer View Model

[ENG_CVM_CVM_1-1437579-9_B.3d_stp.zip](#)

English

By downloading the CAD file I accept and agree to the [Terms and Conditions](#) of use.

Datasheets & Catalog Pages

[SWITCHES_CORE_PROGRAM_CATALOG](#)

English