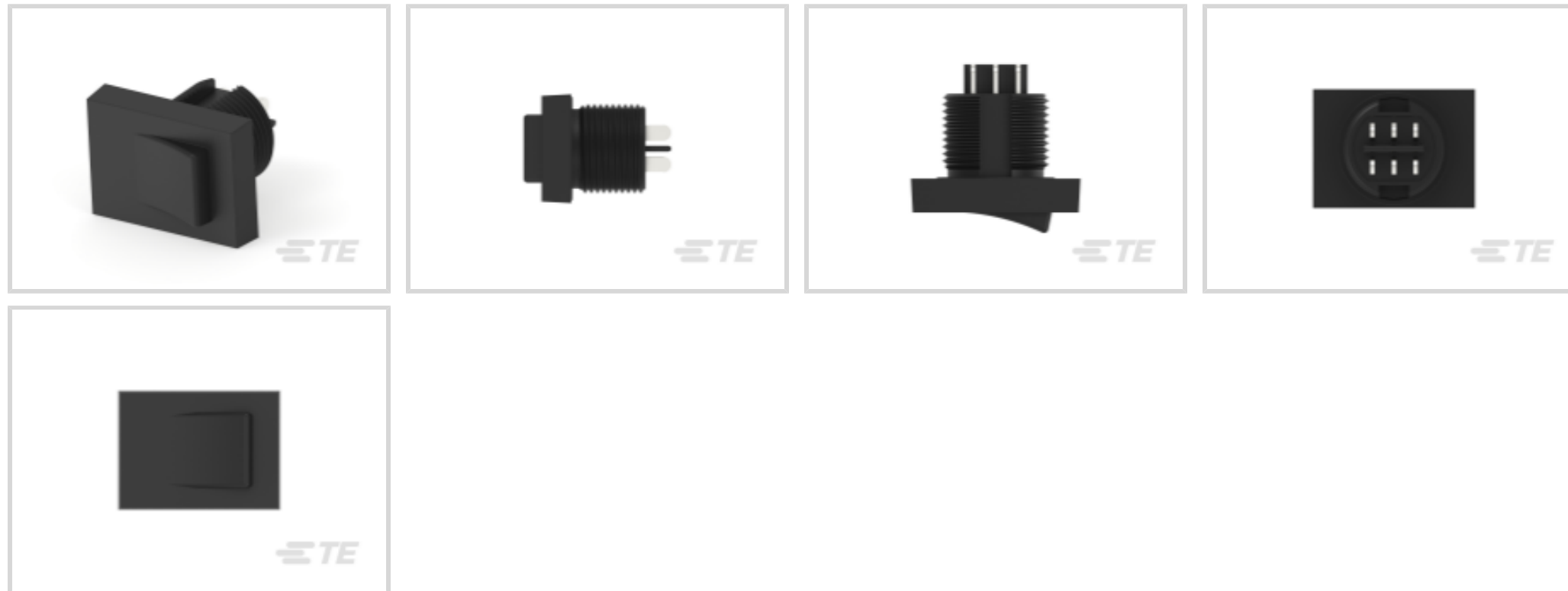




Relays, Contactors & Switches > Switches > Rocker Switches



Rocker Switch Type: **Power**

Rocker Switch Mounting Type: **15/32" (Round Hole)**

Indicator/Imprint Legend: **None**

Panel Cutout Size: **11.3 x 12.07 mm [ .445 x .475 in ]**

Switch Contact Plating Material: **Silver**

## Features

### Product Type Features

Product Type	Switch
Rocker Switch Type	Power
Lamp	Without
Rocker Switch LED	Without
Actuator Type	Top
Actuator Style	Rocker

### Configuration Features

Indicator/Imprint Legend	None
Panel Cutout Size	11.3 x 12.07 mm [.445 x .475 in]
Configuration (Pole-Throw)	Double Pole - Double Throw
Operating Function	On None On

### Electrical Characteristics

Rocker Switch Voltage Rating	125 VAC
------------------------------	---------

### Body Features

--	--



Actuator Color	Black
----------------	-------

### Contact Features

Switch Contact Plating Material	Silver
---------------------------------	--------

Rocker Switch Contact Current Rating	3 A
--------------------------------------	-----

### Termination Features

Termination Type	Wire Lugs
------------------	-----------

### Mechanical Attachment

Mounting Angle	Vertical
----------------	----------

Rocker Switch Mounting Type	15/32" (Round Hole)
-----------------------------	---------------------

### Housing Features

Process Sealed	No
----------------	----

### Industry Standards

VDE Tested	No
------------	----

## Product Compliance

[For compliance documentation, visit the product page on TE.com>](#)

EU RoHS Directive 2011/65/EU	Not Yet Reviewed
------------------------------	------------------

EU ELV Directive 2000/53/EC	Not Compliant
-----------------------------	---------------

China RoHS 2 Directive MIIT Order No 32, 2016	Restricted Materials Above Threshold
---	--------------------------------------

EU REACH Regulation (EC) No. 1907/2006	Current ECHA Candidate List: JAN 2021 (211) Candidate List Declared Against: JUN 2016 (169) SVHC > Threshold: Not Yet Reviewed
--	---

Halogen Content	Not Yet Reviewed for halogen content
-----------------	--------------------------------------

Solder Process Capability	Wave solder capable to 265°C
---------------------------	------------------------------

#### Product Compliance Disclaimer

This information is provided based on reasonable inquiry of our suppliers and represents our current actual knowledge based on the information they provided. This information is subject to change. The part numbers that TE has identified as EU RoHS compliant have a maximum concentration of 0.1% by weight in homogenous materials for lead, hexavalent chromium, mercury, PBB, PBDE, DBP, BBP, DEHP, DIBP, and 0.01% for cadmium, or qualify for an exemption to these limits as defined in the Annexes of Directive 2011/65/EU (RoHS2). Finished electrical and electronic equipment products will be CE marked as required by Directive 2011/65/EU. Components may not be CE marked. Additionally, the part numbers that TE has identified as EU ELV compliant have a maximum concentration of 0.1% by weight in homogenous materials for lead, hexavalent chromium, and mercury, and 0.01% for cadmium, or qualify for an exemption to these limits as defined in the Annexes of Directive 2000/53/EC (ELV). Regarding the REACH Regulations, TE's information on SVHC in articles for this part number is still based on the European Chemical Agency (ECHA) 'Guidance on requirements for substances in articles' (Version: 2, April 2011), applying the 0.1% weight on weight concentration threshold at the finished

product level. TE is aware of the European Court of Justice ruling of September 10th, 2015 also known as O5A (Once An Article Always An Article) stating that, in case of 'complex object', the threshold for a SVHC must be applied to both the product as a whole and simultaneously to each of the articles forming part of its composition. TE has evaluated this ruling based on the new ECHA "Guidance on requirements for substances in articles" (June 2017, version 4.0) and will be updating its statements accordingly.

## Compatible Parts



TE Part # 4-1437595-1  
TRD11D10WL=SPDT ROCKER BLACK



TE Part # 5-1437595-6  
TRD11G10WL=ROCKER SW SPDT (ON)



TE Part # 1825426-1  
TRD13D10WLLR204 rocker switch

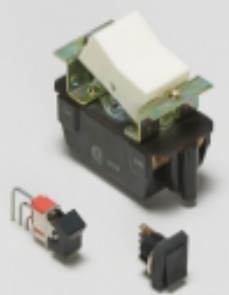


TE Part # 5-1437595-9  
TRD11H10WL=ROCKER GOLD ON OFF



TE Part # 4-1437595-2  
TRD11D10WLLR5=SP ROCKER LIGHTE

## Also in the Series | Alcoswitch TRD



Rocker Switches(42)

## Customers Also Bought



TE Part #1-1879457-2  
Wirewound Resistor: Mineral, 2.5 Kw



TE Part #1-206062-4  
CPC CABLE CLAMPS



TE Part #0660-206-1282  
CONT PIN



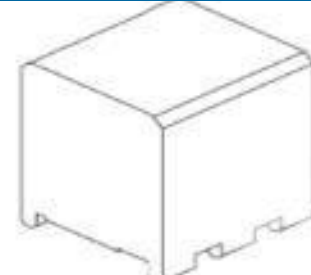
TE Part #102154-2  
AMP-LATCH UNIVERSAL HEADERS



TE Part #1-1437571-5  
TP11FGRA0=SWITCH P/B  
MOMENTARY



TE Part #1-640550-7  
Polyester PCB Connector Covers: 2.54  
mm, MTA 100



TE Part #91347-1  
SEATING TOOL, HMZD RCPT, 4 PAIR



TE Part #1-104482-0  
22 SHORT PT RCPT HSG DR .100CL

TE Part #0619-5-1378  
R SNAP

## Documents

### CAD Files

3D PDF

3D

Customer View Model

[ENG\\_CVM\\_CVM\\_1-1437596-9\\_O\\_c-1-1437596-9-o.2d\\_dxf.zip](#)

English

Customer View Model

[ENG\\_CVM\\_CVM\\_1-1437596-9\\_O\\_c-1-1437596-9-o.3d\\_igs.zip](#)

English

Customer View Model

[ENG\\_CVM\\_CVM\\_1-1437596-9\\_O\\_c-1-1437596-9-o.3d\\_stp.zip](#)

English

By downloading the CAD file I accept and agree to the [Terms and Conditions](#) of use.

### Datasheets & Catalog Pages

[SWITCHES\\_CORE\\_PROGRAM\\_CATALOG](#)

English