

1-1825008-0 ✓ ACTIVE



[Alcoswitch](#) | [Alcoswitch DIP](#), [Alcoswitch Rotary DIP DRS](#)

TE Internal #: 1-1825008-0

Alcoswitch DIP, Rotary Switches, 10 Position, Metal Shaft Actuator Style, Rotary Switch Style, Rotary DIP Rotary Switch Type, 16 Switch, Thermoplastic

[View on TE.com >](#)

Relays, Contactors & Switches > Switches > Rotary Switches



Number of Rotary Switch Positions: 10

Actuator Style: **Metal Shaft**

Switch Style: **Rotary**

Rotary Switch Type: **Rotary DIP**

Number of Switches: 16

Features

Product Type Features

Removable Tape Seal	Without
Product Type	Switch
Illuminated	No
Actuator Style	Metal Shaft
Switch Style	Rotary
Rotary Switch Type	Rotary DIP
Sealed Rotary Switch	No
Code Type	Hexadecimal

Configuration Features

Number of Rotary Switch Positions	10
Number of Switches	16

Electrical Characteristics

Rotary Switch Voltage Rating	20 VAC
------------------------------	--------

Contact Features

Solder Tail Contact Plating	Gold Flash over Nickel
Rotary Switch Contact Current Rating	.4 A
Rotary Switch Contact Mating Area Plating Material	Gold Flash
Contact Base Material	Copper Alloy



Termination Features

Termination Style	Printed Circuit Board
-------------------	-----------------------

Mechanical Attachment

Rotary Switch Mounting Type	Through Hole
Rotary Switch Mounting Angle	Right Angle

Housing Features

Centerline	2.54 mm[.1 in]
Rotary Switch Housing Material	Thermoplastic

Usage Conditions

Oil-Tight	No
-----------	----

Industry Standards

UL Flammability Rating	UL 94V-0
------------------------	----------

Product Compliance

[For compliance documentation, visit the product page on TE.com>](#)

EU RoHS Directive 2011/65/EU	Compliant with Exemptions
EU ELV Directive 2000/53/EC	Compliant
China RoHS 2 Directive MIIT Order No 32, 2016	Restricted Materials Above Threshold
EU REACH Regulation (EC) No. 1907/2006	Current ECHA Candidate List: JAN 2021 (211) Candidate List Declared Against: JAN 2021 (211) SVHC > Threshold: Pb (2.75% in Component Part) Article Safe Usage Statements: Do not eat, drink or smoke when using this product. Wash thoroughly after handling. Recycle if possible and dispose of the article by following all applicable governmental regulations relevant to your geographic location.
Halogen Content	Not Low Halogen - contains Br or Cl > 900 ppm.
Solder Process Capability	Wave solder capable to 265°C

Product Compliance Disclaimer

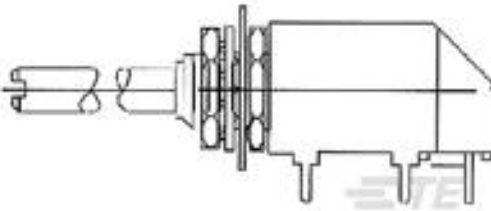
This information is provided based on reasonable inquiry of our suppliers and represents our current actual knowledge based on the information they provided. This information is subject to change. The part numbers that TE has identified as EU RoHS compliant have a maximum concentration of 0.1% by weight in homogenous materials for lead, hexavalent chromium, mercury, PBB, PBDE, DBP, BBP, DEHP, DIBP, and 0.01% for cadmium, or qualify for an exemption to these limits as defined in the Annexes of Directive 2011/65/EU (RoHS2). Finished electrical and electronic equipment products will be CE marked as required by Directive 2011/65/EU. Components may not be CE marked. Additionally, the part numbers that TE has identified as EU ELV compliant have a maximum concentration of 0.1% by weight in homogenous materials for lead, hexavalent chromium, and mercury, and 0.01% for cadmium, or qualify for an exemption to these limits as defined in the Annexes of Directive 2000/53/EC (ELV). Regarding the REACH Regulation, the information TE provides

on SVHC in articles for this part number is based on the latest European Chemicals Agency (ECHA) 'Guidance on requirements for substances in articles' posted at this URL: <https://echa.europa.eu/guidance-documents/guidance-on-reach>

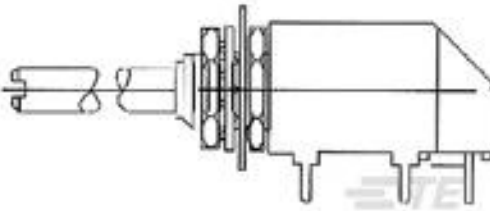
Compatible Parts



TE Part # 1-1825008-2
DRS16RA04=Rot Dip,R/A

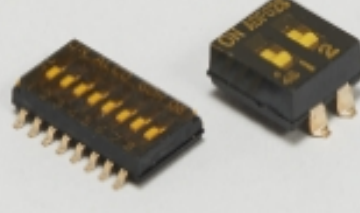


TE Part # 4-1825033-1
DRS1004=Rot Dip,w/Shaft




TE Part # 5-1825033-6
DRS16C04=Rot Dip,w/Shaft


Also in the Series | Alcoswitch DIP



DIP & SIP Switches(291)




Rotary Switches(34)



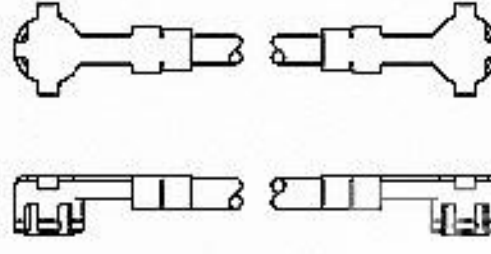
Switch Boots & Accessories(1)

Also in the Series | Alcoswitch Rotary DIP DRS



Rotary Switches(8)

Customers Also Bought



TE Part #1064530-1
9960 1200 24



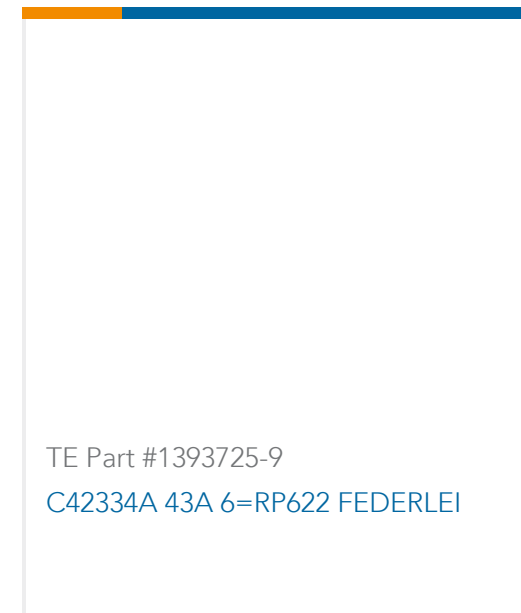
TE Part #1-1879498-2
CRGH1206 5% 39K 0.5W



TE Part #1461492-2
STD OEG PCB OSA Power Relays



TE Part #1-200835-1
SERIES "M" MIN. RECT. GUIDE SOC



Documents

Product Drawings

DRS10RA04=Rot Dip,R/A

English

Product Environmental Compliance

Product Compliance

English

Product Compliance

English