



Alcoswitch | Alcoswitch DIP, Alcoswitch Rotary DIP DRW

TE Internal #: 1-1825008-4

Alcoswitch DIP, Rotary Switches, 10 Position, Wheel Actuator Style, Rotary Switch Style, Rotary DIP Rotary Switch Type, 10 Switch, Thermoplastic

[View on TE.com >](#)

Relays, Contactors & Switches > Switches > Rotary Switches



Number of Rotary Switch Positions: 10

Actuator Style: **Wheel**

Switch Style: **Rotary**

Rotary Switch Type: **Rotary DIP**

Number of Switches: 10

Features

Product Type Features

Removable Tape Seal	Without
Product Type	Switch
Illuminated	No
Actuator Style	Wheel
Switch Style	Rotary
Rotary Switch Type	Rotary DIP
Sealed Rotary Switch	No
Code Type	BCD

Configuration Features

Number of Rotary Switch Positions	10
Number of Switches	10

Electrical Characteristics

Rotary Switch Voltage Rating	20 VAC
------------------------------	--------

Contact Features

Solder Tail Contact Plating	Gold Flash over Nickel
Rotary Switch Contact Current Rating	.4 A
Rotary Switch Contact Mating Area Plating Material	Gold Flash
Contact Base Material	Copper Alloy



Termination Features

Termination Style	Printed Circuit Board
-------------------	-----------------------

Mechanical Attachment

Rotary Switch Mounting Type	Through Hole
Rotary Switch Mounting Angle	Right Angle

Housing Features

Centerline	2.54 mm[.1 in]
Rotary Switch Housing Material	Thermoplastic

Usage Conditions

Oil-Tight	No
-----------	----

Industry Standards

UL Flammability Rating	UL 94V-0
------------------------	----------

Product Compliance

[For compliance documentation, visit the product page on TE.com>](#)

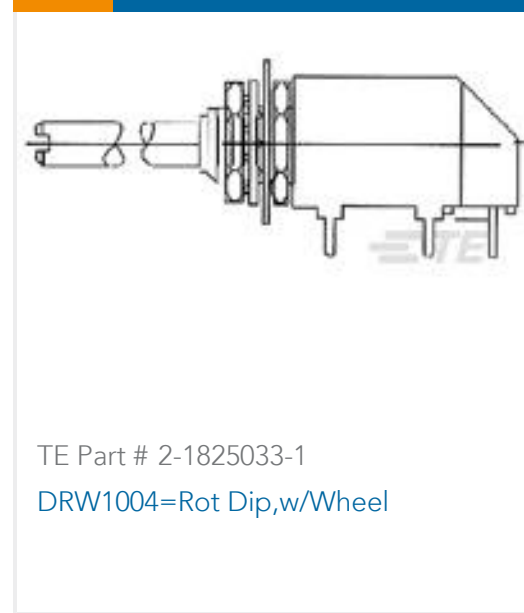
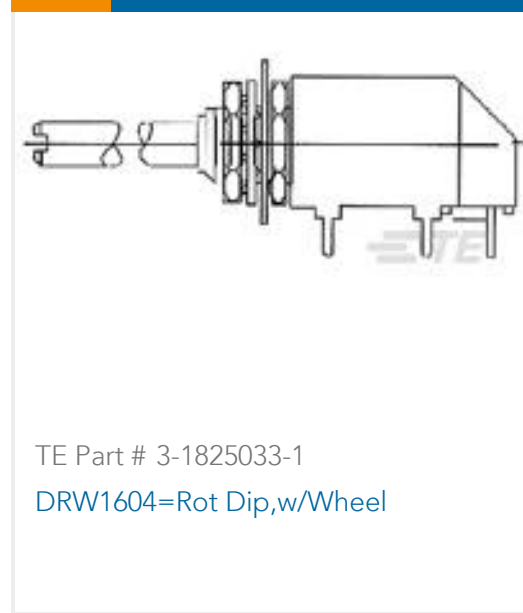
EU RoHS Directive 2011/65/EU	Not Yet Reviewed
EU ELV Directive 2000/53/EC	Not Yet Reviewed
China RoHS 2 Directive MIIT Order No 32, 2016	No Restricted Materials Above Threshold
EU REACH Regulation (EC) No. 1907/2006	Current ECHA Candidate List: JAN 2021 (211) Candidate List Declared Against: JUN 2016 (169) SVHC > Threshold: Not Yet Reviewed
Halogen Content	BFR/CFR/PVC Free, but Br/Cl >900 ppm in other sources.
Solder Process Capability	Wave solder capable to 265°C

Product Compliance Disclaimer

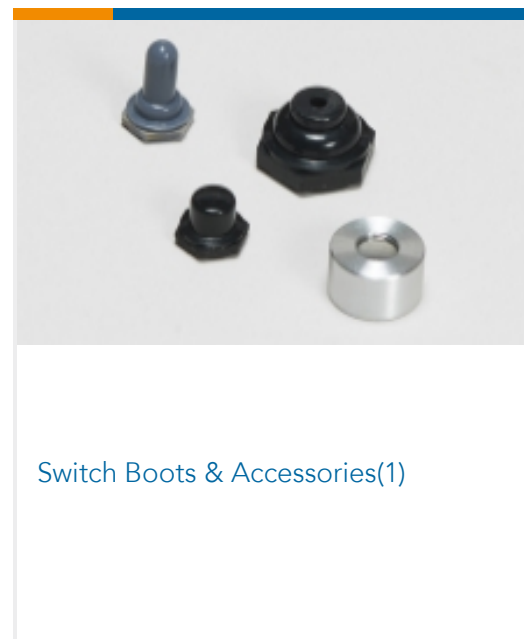
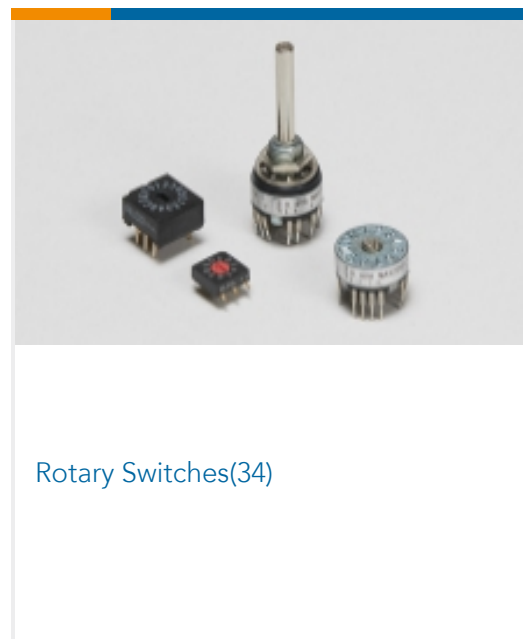
This information is provided based on reasonable inquiry of our suppliers and represents our current actual knowledge based on the information they provided. This information is subject to change. The part numbers that TE has identified as EU RoHS compliant have a maximum concentration of 0.1% by weight in homogenous materials for lead, hexavalent chromium, mercury, PBB, PBDE, DBP, BBP, DEHP, DIBP, and 0.01% for cadmium, or qualify for an exemption to these limits as defined in the Annexes of Directive 2011/65/EU (RoHS2). Finished electrical and electronic equipment products will be CE marked as required by Directive 2011/65/EU. Components may not be CE marked. Additionally, the part numbers that TE has identified as EU ELV compliant have a maximum concentration of 0.1% by weight in homogenous materials for lead, hexavalent chromium, and mercury, and 0.01% for cadmium, or qualify for an exemption to these limits as defined in the Annexes of Directive 2000/53/EC (ELV). Regarding the REACH Regulations, TE's information on SVHC in articles for this part number is still based on the European Chemical Agency (ECHA) 'Guidance on requirements for substances in articles' (Version: 2, April 2011), applying the 0.1% weight on weight concentration threshold at the finished product level. TE is aware of the European Court of Justice ruling of September 10th, 2015 also known as O5A (Once An

Article Always An Article) stating that, in case of 'complex object', the threshold for a SVHC must be applied to both the product as a whole and simultaneously to each of the articles forming part of its composition. TE has evaluated this ruling based on the new ECHA "Guidance on requirements for substances in articles" (June 2017, version 4.0) and will be updating its statements accordingly.

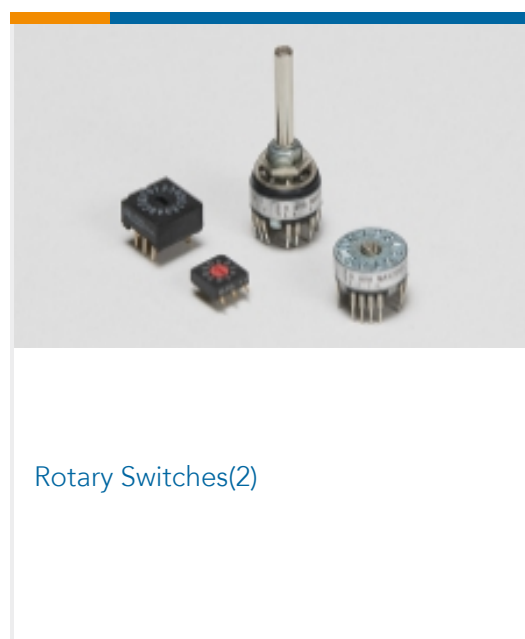
Compatible Parts



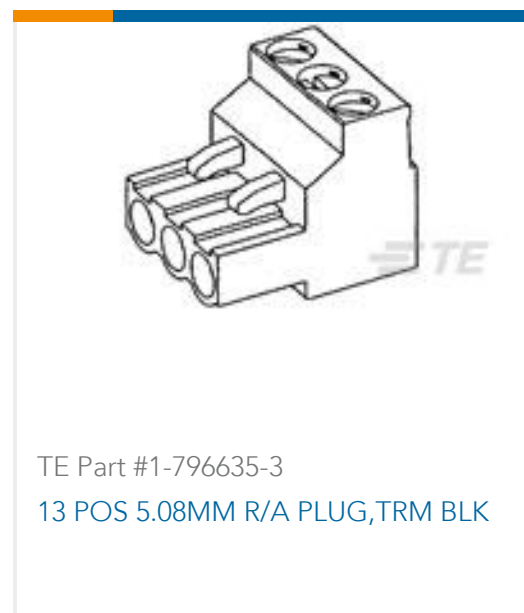
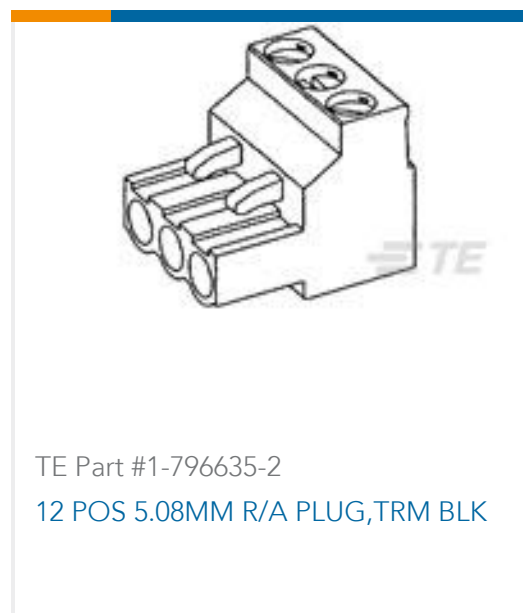
Also in the Series | Alcoswitch DIP

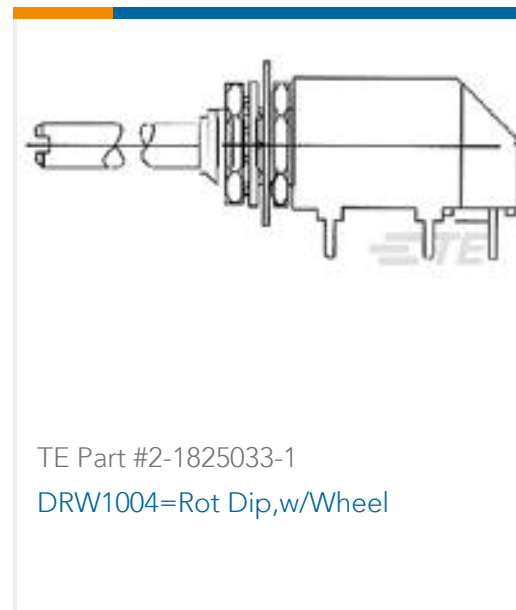


Also in the Series | Alcoswitch Rotary DIP DRW



Customers Also Bought





Documents

Product Drawings

[DRW10RAE04=ROT DIP,R/A](#)

English

Datasheets & Catalog Pages

[SWITCHES_CORE_PROGRAM_CATALOG](#)

English