



HT-SCE

TE Internal #: 131854-000

HT-SCE, Printable Tubing, Ladder Printable Tubing Type, High Temperature Printable Tubing Grade, 2:1 Printable Tubing Shrink Ratio, Black

[View on TE.com >](#)

Identification & Labeling > Printable Tubing > HT-SCE HIGH TEMPERATURE SLEEVES



Printable Tubing Type: **Ladder**

Printable Tubing Grade: **High Temperature**

Printable Tubing Shrink Ratio: **2:1**

Primary Product Color: **Black**

Markers per Sleeve: **1**

[All HT-SCE HIGH TEMPERATURE SLEEVES \(55\)](#)

Features

Product Type Features

Printable Tubing Type	Ladder
Printable Tubing Grade	High Temperature

Body Features

Printable Tubing Shrink Ratio	2:1
Primary Product Color	Black
Markers per Sleeve	1

Dimensions

Product Length	50.8 mm[2 in]
Supplied Inner Diameter	19 mm[.75 in]
Recovered Inside Diameter	9.5 mm[.375 in]
Compatible Cable Diameter Range	9.9 – 15.3 mm[.39 – .602 in]

Usage Conditions

Operating Temperature Range	-55 – 225 °C[-67 – 437 °F]
-----------------------------	----------------------------

Operation/Application

Recommended Ribbon	See TE Document 411-121005 the Printer Product Ribbon Matrix
--------------------	--



Printer/Label Features

Recommended Printer	See TE Document 411-121005 the Printer Product Ribbon Matrix
Printer Technology	Thermal Transfer

Packaging Features

Packaging Quantity	1000
--------------------	------

Product Compliance

[For compliance documentation, visit the product page on TE.com>](#)

EU RoHS Directive 2011/65/EU	Compliant
EU ELV Directive 2000/53/EC	Compliant
China RoHS 2 Directive MIIT Order No 32, 2016	No Restricted Materials Above Threshold
EU REACH Regulation (EC) No. 1907/2006	Current ECHA Candidate List: JAN 2021 (211) Candidate List Declared Against: JAN 2021 (211) Does not contain REACH SVHC
Halogen Content	Low Bromine/Chlorine - Br and Cl < 900 ppm per homogenous material. Also BFR /CFR/PVC Free
Solder Process Capability	Not applicable for solder process capability

Product Compliance Disclaimer

This information is provided based on reasonable inquiry of our suppliers and represents our current actual knowledge based on the information they provided. This information is subject to change. The part numbers that TE has identified as EU RoHS compliant have a maximum concentration of 0.1% by weight in homogenous materials for lead, hexavalent chromium, mercury, PBB, PBDE, DBP, BBP, DEHP, DIBP, and 0.01% for cadmium, or qualify for an exemption to these limits as defined in the Annexes of Directive 2011/65/EU (RoHS2). Finished electrical and electronic equipment products will be CE marked as required by Directive 2011/65/EU. Components may not be CE marked. Additionally, the part numbers that TE has identified as EU ELV compliant have a maximum concentration of 0.1% by weight in homogenous materials for lead, hexavalent chromium, and mercury, and 0.01% for cadmium, or qualify for an exemption to these limits as defined in the Annexes of Directive 2000/53/EC (ELV). Regarding the REACH Regulation, the information TE provides on SVHC in articles for this part number is based on the latest European Chemicals Agency (ECHA) 'Guidance on requirements for substances in articles' posted at this URL: <https://echa.europa.eu/guidance-documents/guidance-on-reach>

Compatible Parts



TE Part # 1-2186500-1
T3212-PRINTER



TE Part # 1-2186502-1
T3224-PRINTER



TE Part # 1-2186503-1
T3224-SWARE-PRINTER



TE Part # 154739-000
T300-RIBBON-WH-4HT



TE Part # CP8122-000
T6112DS-PRINTER



TE Part # 1-2186501-1
T3212-SWARE-PRINTER

Also in the Series | HT-SCE

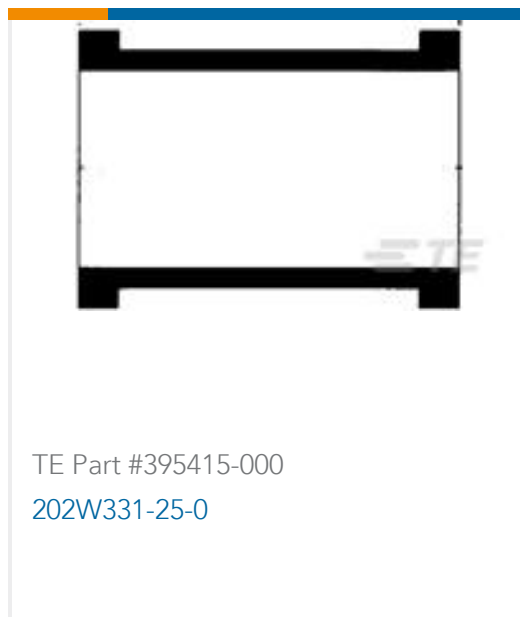


Printable Tubing(18)

Customers Also Bought



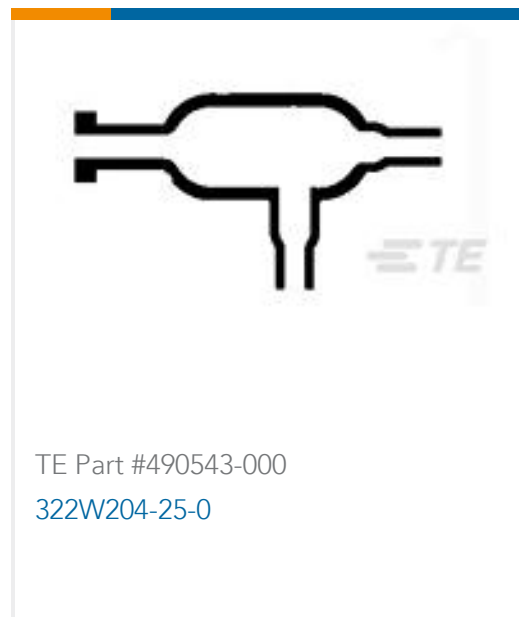
TE Part #4733050001
HT-SCE HIGH TEMPERATURE
SLEEVES



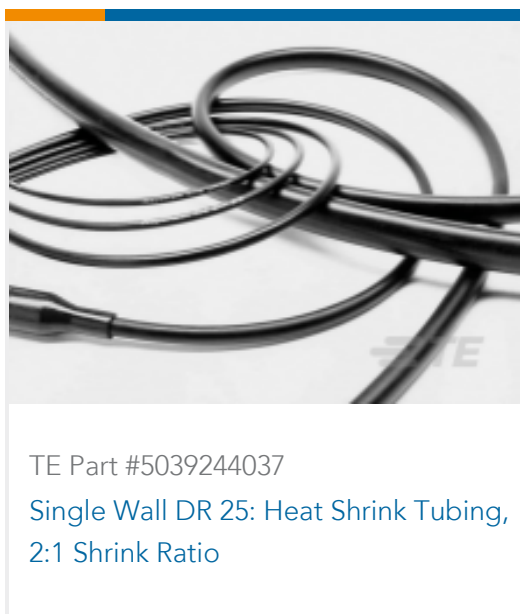
TE Part #395415-000
202W331-25-0



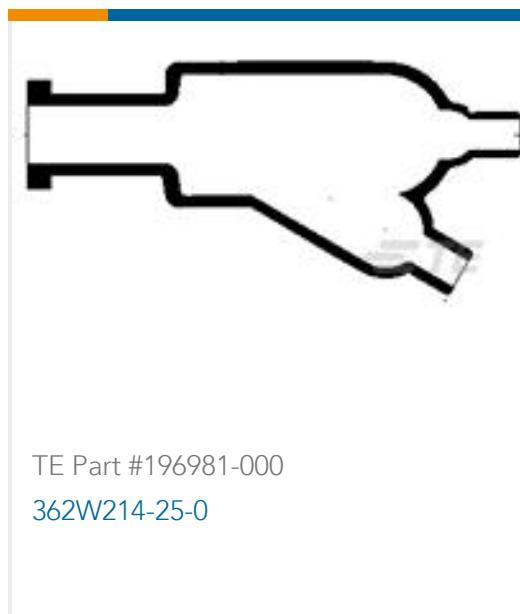
TE Part #107129-000
Heat Shrink Boots: Non Lipped,
Straight



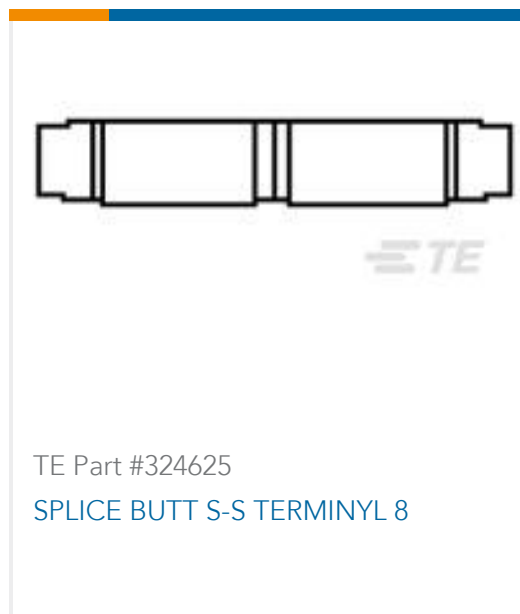
TE Part #490543-000
322W204-25-0



TE Part #5039244037
Single Wall DR 25: Heat Shrink Tubing,
2:1 Shrink Ratio



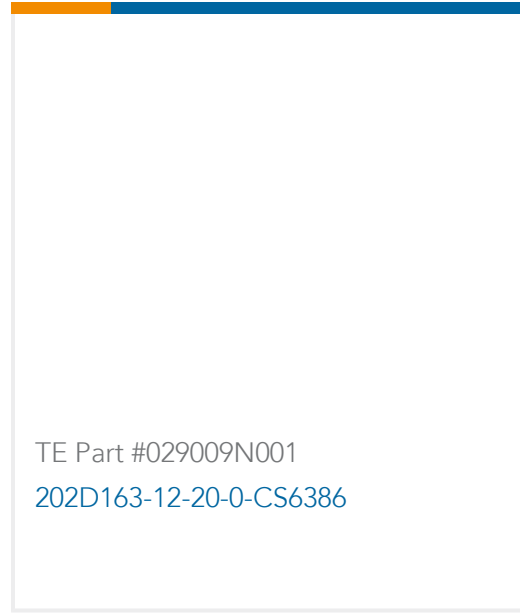
TE Part #196981-000
362W214-25-0



TE Part #324625
SPLICE BUTT S-S TERMINYL 8



TE Part #039751-000
55A0831-22-9/93/96CS2275



Documents

Product Drawings

[HT-SCE-1K-3/4-2.0-0](#)

English

Datasheets & Catalog Pages

[HT-SCE Heat Shrinkable Sleeves](#)

English

Product Specifications

[Product Specification](#)

English

Instruction Sheets

[Instruction Sheet \(non U.S.\)](#)

English