



Relays, Contactors & Switches > Relays > Time Delay Relays



Type of Control: **Knob**

Time Delay Relay Input Voltage: **120 – 110 VAC**

Timing Range (Off-Time): **1.5 – 15 seconds**

Time Delay Relay Contact Current Rating: **10A@240VAC A**

Mode of Operation: **Off-Delay**

Features

Product Type Features

| | |
|--------------------------|--------------------------|
| Product Type | Relay |
| Relay Type | Time Delay |
| Product Category | Electromechanical Relays |
| Magnetic Blow-Out Device | Without |

Configuration Features

| | |
|------------------------|---------|
| Multiple Timing Ranges | Without |
|------------------------|---------|

Electrical Characteristics

| | |
|--------------------------------|------------------|
| Actuating System | AC |
| Time Delay Relay Input Voltage | 120 – 110 VAC |
| Timing Range (Off-Time) | 1.5 – 15 seconds |

Contact Features

| | |
|---|-----------------------|
| Contact Arrangement | 2 Form C, DPDT, 2 C/O |
| Type of Control | Knob |
| Time Delay Relay Contact Current Rating | 10A@240VAC A |

Termination Features

| | |
|------------------|-----------------|
| Termination Type | Screw Terminals |
|------------------|-----------------|

Mechanical Attachment

| | |
|--|--|
| | |
|--|--|

| | |
|--------------------------------|------------------|
| Time Delay Relay Mounting Type | Mounting Bracket |
|--------------------------------|------------------|

Dimensions

| | |
|--------------------------------------|--|
| Dimensions (L x W x H) (Approximate) | 114.8 x 65.3 x 71.9 mm[4.523 x 2.572 x 2.832 in] |
|--------------------------------------|--|

Usage Conditions

| | |
|-----------------------------|-------------|
| Operating Temperature Range | -30 – 75 °C |
|-----------------------------|-------------|

Operation/Application

| | |
|-------------------|------------------------------------|
| Option | Auxiliary Switch - Two Step Timing |
| Mode of Operation | Off-Delay |

Other

| | |
|---------------------|-----|
| Repeatability (Max) | ±5% |
|---------------------|-----|

Product Compliance

[For compliance documentation, visit the product page on TE.com>](#)

| | |
|---|---|
| EU RoHS Directive 2011/65/EU | Not Compliant |
| EU ELV Directive 2000/53/EC | Not Compliant |
| China RoHS 2 Directive MIIT Order No 32, 2016 | Restricted Materials Above Threshold |
| EU REACH Regulation (EC) No. 1907/2006 | Current ECHA Candidate List: JAN 2021 (211) Candidate List Declared Against: JAN 2021 (211) Does not contain REACH SVHC |
| Halogen Content | Not Yet Reviewed for halogen content |
| Solder Process Capability | Not applicable for solder process capability |

Product Compliance Disclaimer

This information is provided based on reasonable inquiry of our suppliers and represents our current actual knowledge based on the information they provided. This information is subject to change. The part numbers that TE has identified as EU RoHS compliant have a maximum concentration of 0.1% by weight in homogenous materials for lead, hexavalent chromium, mercury, PBB, PBDE, DBP, BBP, DEHP, DIBP, and 0.01% for cadmium, or qualify for an exemption to these limits as defined in the Annexes of Directive 2011/65/EU (RoHS2). Finished electrical and electronic equipment products will be CE marked as required by Directive 2011/65/EU. Components may not be CE marked. Additionally, the part numbers that TE has identified as EU ELV compliant have a maximum concentration of 0.1% by weight in homogenous materials for lead, hexavalent chromium, and mercury, and 0.01% for cadmium, or qualify for an exemption to these limits as defined in the Annexes of Directive 2000/53/EC (ELV). Regarding the REACH Regulations, TE's information on SVHC in articles for this part number is still based on the European Chemical Agency (ECHA) 'Guidance on requirements for substances in articles' (Version: 2, April 2011), applying the 0.1% weight on weight concentration threshold at the finished product level. TE is aware of the European Court of Justice ruling of September 10th, 2015 also known as O5A (Once An Article Always An Article) stating that, in case of 'complex object', the threshold for a SVHC must be applied to both the product as a whole and simultaneously to each of the articles forming part of its composition. TE has evaluated this ruling based on the new ECHA "Guidance on requirements for substances in articles" (June 2017, version 4.0) and will be updating its statements accordingly.

Compatible Parts



TE Part # 1423157-5
7012AC=RLY,STD,ON,2P,120VAC,15

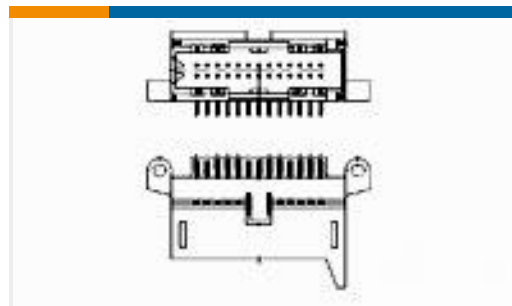
Customers Also Bought



TE Part #1423157-5
7012AC=RLY,STD,ON,2P,120VAC,15



TE Part #166533-000
GHFC-1-90(B100)



TE Part #1-827880-1
13P MOD2 STIFTWANNE



TE Part #1423157-9
7012ADL=RLY,STD,ON,2P,120VAC,5



TE Part #1423160-6
7014AF=RLY,STD,ON,4P,120VAC,1



TE Part #1-1423162-1
7022AFT=RLY,STD,OFF,2P,120VAC,



TE Part #1423155-1
GPB=RELAY 24 VDC



TE Part #04290133-000
CA DIAG PTO6A-10-6S/10-6P



TE Part #1618100-2
D100-17X=WILMAR CLOSE DIFFERE



TE Part #EK4906-000
BTH3-09-04-1-ZN-SB

Documents

Product Drawings

[7022ACT=RLY,STD,OFF,2P,120VAC,](#)

English

Datasheets & Catalog Pages

[5-1773450-5_sec12_7000](#)

English

7022ACT

Time Delay Relays, Knob, 120 – 110VAC Time Delay Relay Input Voltage, Timing
Range (Off-Time) 1.5 – 15 seconds

