

8058-1G23 ✓ ACTIVE

Augat

TE Internal #: 1437508-7

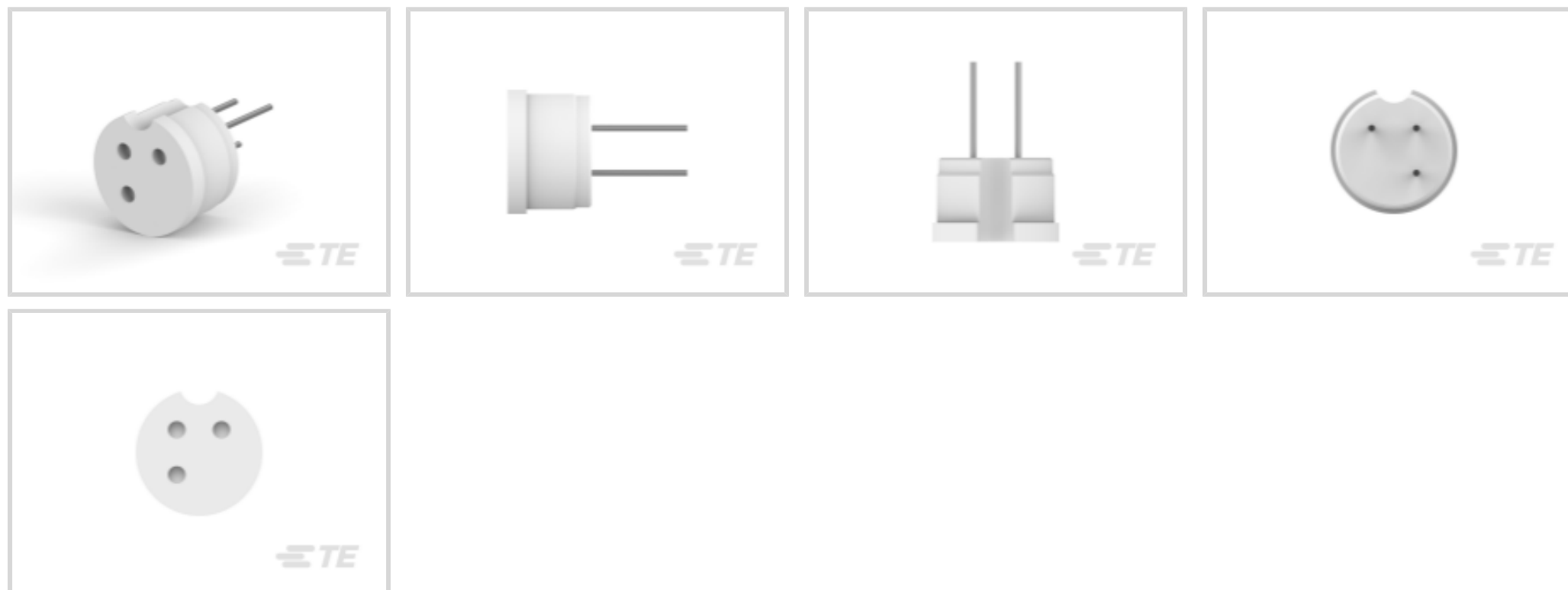
Transistor Sockets, 3 Position, Low Connector Profile, TO-5

Package Outline Dimensions, Lead Size (Accepted) .016 in [.41 mm], Through Hole - Solder

[View on TE.com >](#)



Connectors > Socket Connectors > Transistor Sockets



Number of Positions: 3

Connector Profile: **Low**

Package Outline Dimensions: **TO-5**

Lead Size (Accepted): **.41 mm [.016 in]**

Termination Method to Printed Circuit Board: **Through Hole - Solder**

## Features

### Product Type Features

Terminal Configuration	Contact
Package Outline Dimensions	TO-5
Connector & Contact Terminates To	Printed Circuit Board
Product Type	Socket

### Configuration Features

Number of Positions	3
---------------------	---

### Body Features

Sleeve Material	Brass
Sleeve Plating Material	Gold
Insulator Material	Fluoropolymer
Connector Profile	Low
Lead Size (Accepted)	.41 mm [.016 in]
Color	Black

### Contact Features



Terminal Material	Beryllium Copper
Terminal Plating	Gold
Contact Current Rating (Max)	3 A
Socket Type	Transistor
Pin Diameter	5.08 mm[.2 in]

### Termination Features

Termination Method to Printed Circuit Board	Through Hole - Solder
---	-----------------------

### Mechanical Attachment

Connector Mounting Type	Board Mount
-------------------------	-------------

### Usage Conditions

Operating Temperature Range	-55 – 125 °C[-67 – 257 °F]
-----------------------------	----------------------------

### Operation/Application

Circuit Application	Signal
---------------------	--------

### Industry Standards

Insulator Flammability Rating	UL 94V-0
-------------------------------	----------

## Product Compliance

[For compliance documentation, visit the product page on TE.com>](#)

EU RoHS Directive 2011/65/EU	Compliant with Exemptions
EU ELV Directive 2000/53/EC	Compliant with Exemptions
China RoHS 2 Directive MIIT Order No 32, 2016	Restricted Materials Above Threshold
EU REACH Regulation (EC) No. 1907/2006	Current ECHA Candidate List: JAN 2021 (211) Candidate List Declared Against: JAN 2021 (211) SVHC > Threshold: Pb (3.5% in Component part) <b>Article Safe Usage Statements:</b> Do not eat, drink or smoke when using this product. Wash thoroughly after handling. Recycle if possible and dispose of the article by following all applicable governmental regulations relevant to your geographic location.
Halogen Content	Low Halogen - Br, Cl, F, I < 900 ppm per homogenous material. Also BFR/CFR/PVC Free
Solder Process Capability	Wave solder capable to 240°C

Product Compliance Disclaimer

This information is provided based on reasonable inquiry of our suppliers and represents our current actual knowledge based on the information they provided. This information is subject to change. The part numbers that TE has identified as EU RoHS compliant have a maximum concentration of 0.1% by weight in homogenous materials for lead, hexavalent chromium, mercury, PBB, PBDE, DBP, BBP, DEHP, DIBP, and 0.01% for cadmium, or qualify for an exemption to these limits as defined in the Annexes of Directive 2011/65/EU (RoHS2). Finished electrical and electronic equipment products will be CE marked as required by Directive 2011/65/EU. Components may not be CE marked. Additionally, the part numbers that TE has identified as EU ELV compliant have a maximum concentration of 0.1% by weight in homogenous materials for lead, hexavalent chromium, and mercury, and 0.01% for cadmium, or qualify for an exemption to these limits as defined in the Annexes of Directive 2000/53/EC (ELV). Regarding the REACH Regulation, the information TE provides on SVHC in articles for this part number is based on the latest European Chemicals Agency (ECHA) 'Guidance on requirements for substances in articles' posted at this URL: <https://echa.europa.eu/guidance-documents/guidance-on-reach>

## Compatible Parts



TE Part # CAT-H744-SO1399  
Holtite Sockets

## Customers Also Bought



TE Part #1-66504-0  
D-Sub Conn Contacts: Socket,  
Phosphor Bronze, Signal, Size 20



TE Part #2-1571552-2  
DIP Socket: Standard, Stamped &  
Formed, Open, Gold



TE Part #1-1437508-4  
8058-1G30=TO5 SOCKET 200 CIRC



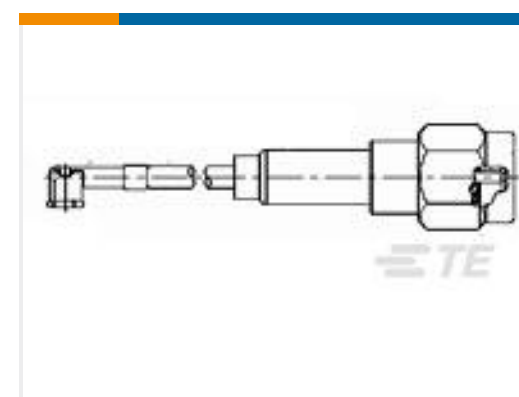
TE Part #2-1437508-4  
8058-1G49=TO5 SKT ASSY 200 CEN



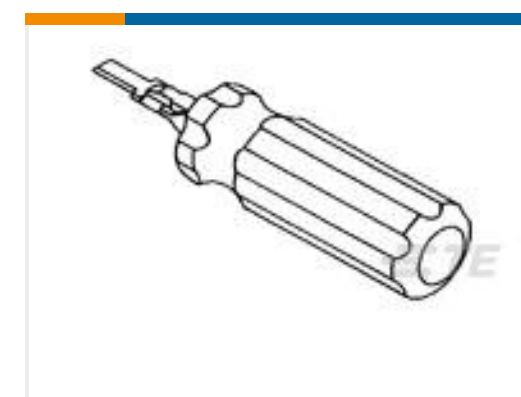
TE Part #1437504-4  
8060-1G11=GOLD TRANSISTOR  
SOCK



TE Part #11029999-00  
PIEZO FILM SENSORS WITH LEAD



TE Part #1064391-1  
9950 4200 01



TE Part #913923-1  
EXTRACTON TOOL FOR 175150



## Documents

### Product Drawings

[8058-1G23=TO5 SOCKET 200 CIRC](#)

English

### CAD Files

[3D PDF](#)

3D

Customer View Model

[ENG\\_CVM\\_CVM\\_1437508-7\\_A.2d\\_dxf.zip](#)

English

Customer View Model

[ENG\\_CVM\\_CVM\\_1437508-7\\_A.3d\\_igs.zip](#)

English

Customer View Model

[ENG\\_CVM\\_CVM\\_1437508-7\\_A.3d\\_stp.zip](#)

English

By downloading the CAD file I accept and agree to the [Terms and Conditions](#) of use.

### Datasheets & Catalog Pages

[Transistor Sockets](#)

English