

SKT331AEL01 ✓ ACTIVE

Alcoswitch | Alcoswitch SKT

TE Internal #: 1437598-9

Alcoswitch SKT, Keylock Switches, Double Pole - Double Throw Configuration (Pole-Throw), Zinc Alloy, Remove Key Position 1, DIP / Hand Soldering Type

[View on TE.com >](#)



Relays, Contactors & Switches > Switches > Keylock Switches



Configuration (Pole-Throw): **Double Pole - Double Throw**

Cylinder Material: **Zinc Alloy**

Remove Key: **Position 1**

Soldering Type: **DIP, Hand**

Operating Function: **On On**

Features

Product Type Features

Product Type	Switch
Switch Type	Key Lock
Illuminated	No
Frame Material	Brushed Chrome

Configuration Features

Configuration (Pole-Throw)	Double Pole - Double Throw
Operating Function	On On
Panel Cutout Size	19.3 x 16.3 mm [.76 x .64 in]
Number of Keylock Switch Positions	2

Electrical Characteristics

Dielectric Strength	1000 VAC
Insulation Resistance	1000 MΩ
Contact Resistance	20 mΩ
Keylock Switch Voltage Rating	28 VDC

Body Features

Seal Type	Terminal Seal (Epoxy)
Actuator Travel	80°
Actuator Material	Brass



Contact Features

Contact Timing	Non-Shorting
Terminals/Fixed Contact Material	Tin-Lead Plate
Keylock Switch Contact Current Rating	3 A
Contact Finish	Silver

Mechanical Attachment

Lock Body	Zinc Alloy
Keylock Switch Mounting Type	Panel

Housing Features

Cylinder Material	Zinc Alloy
Remove Key	Position 1

Usage Conditions

Oil-Tight	No
Operating Temperature (Max)	85 °C

Other

Comment	All keylocks are supplied with 2 brass keys on a ring.
Soldering Type	DIP, Hand

Product Compliance

[For compliance documentation, visit the product page on TE.com>](#)

EU RoHS Directive 2011/65/EU	Not Compliant
EU ELV Directive 2000/53/EC	Not Compliant
China RoHS 2 Directive MIIT Order No 32, 2016	Restricted Materials Above Threshold
EU REACH Regulation (EC) No. 1907/2006	Current ECHA Candidate List: JAN 2021 (211) Candidate List Declared Against: JAN 2021 (211) SVHC > Threshold: Pb (3.7% in component) Article Safe Usage Statements: Do not eat, drink or smoke when using this product. Wash thoroughly after handling. Recycle if possible and dispose of the article by following all applicable governmental regulations relevant to your geographic location.
Halogen Content	Not Yet Reviewed for halogen content
Solder Process Capability	Hand solderable with lead free solder

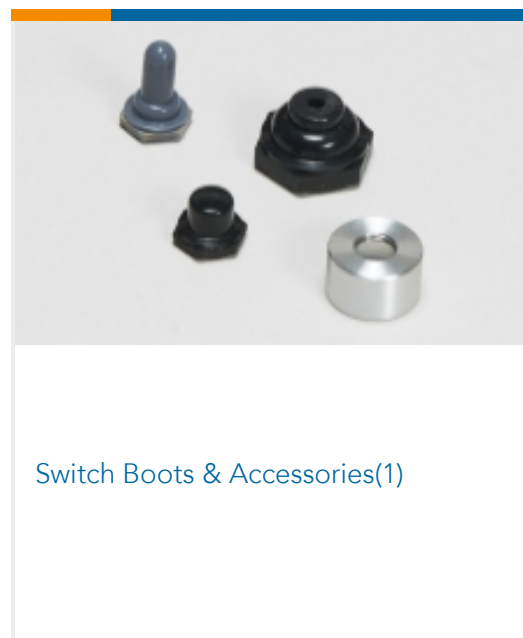
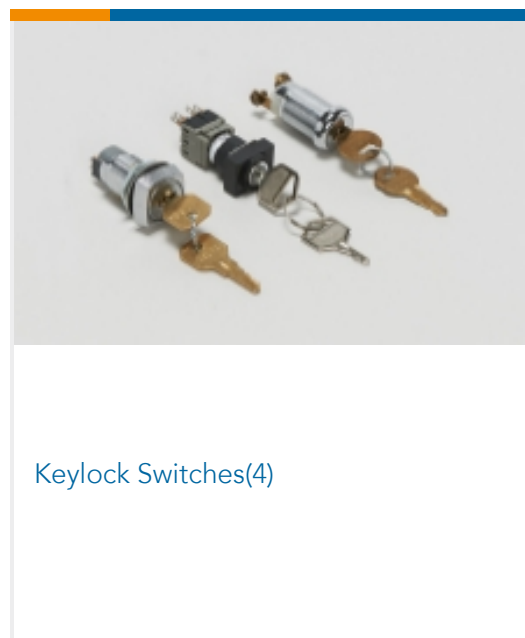
Product Compliance Disclaimer

This information is provided based on reasonable inquiry of our suppliers and represents our current actual knowledge based on the information they provided. This information is subject to change. The part numbers that TE has identified as EU RoHS compliant have a maximum concentration of 0.1% by weight in homogenous materials for lead, hexavalent chromium, mercury, PBB, PBDE, DBP, BBP, DEHP, DIBP, and 0.01% for cadmium, or qualify for an exemption to these limits as defined in the Annexes of Directive 2011/65/EU (RoHS2). Finished electrical and electronic equipment products will be CE marked as required by Directive 2011/65/EU. Components may not be CE marked. Additionally, the part numbers that TE has identified as EU ELV compliant have a maximum concentration of 0.1% by weight in homogenous materials for lead, hexavalent chromium, and mercury, and 0.01% for cadmium, or qualify for an exemption to these limits as defined in the Annexes of Directive 2000/53/EC (ELV). Regarding the REACH Regulation, the information TE provides on SVHC in articles for this part number is based on the latest European Chemicals Agency (ECHA) 'Guidance on requirements for substances in articles' posted at this URL: <https://echa.europa.eu/guidance-documents/guidance-on-reach>

Compatible Parts

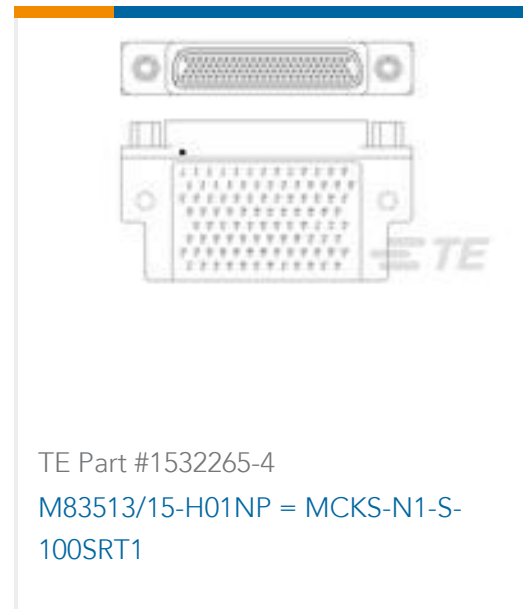
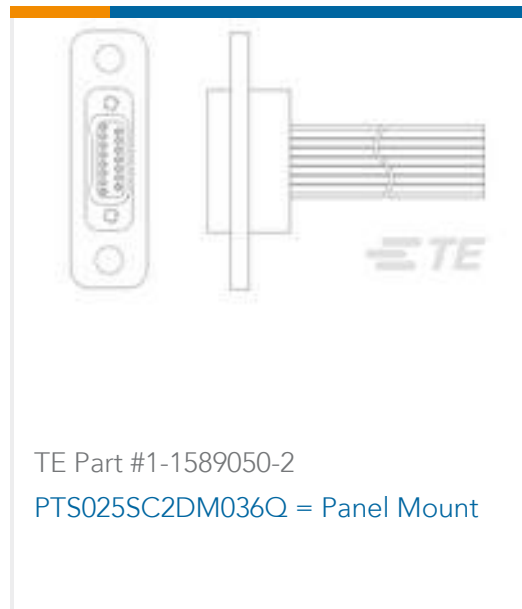
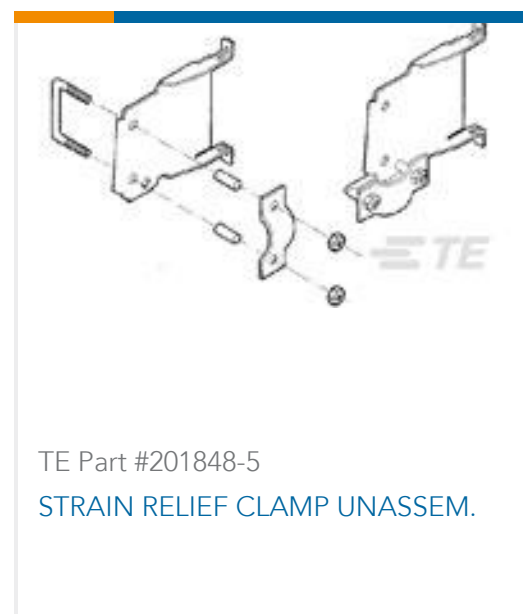


Also in the Series | Alcoswitch SKT



Customers Also Bought





Documents

Product Drawings

[SKT331AEL01=SKT-33-1 AEL101](#)

English

CAD Files

[3D PDF](#)

3D

Customer View Model

[ENG_CVM_CVM_1437598-9_B_c-1437598-9-b.2d_dxf.zip](#)

English

Customer View Model

[ENG_CVM_CVM_1437598-9_B_c-1437598-9-b.3d_igs.zip](#)

English

Customer View Model

[ENG_CVM_CVM_1437598-9_B_c-1437598-9-b.3d_stp.zip](#)

English

By downloading the CAD file I accept and agree to the [Terms and Conditions](#) of use.

Datasheets & Catalog Pages

[SWITCHES_CORE_PROGRAM_CATALOG](#)

English