



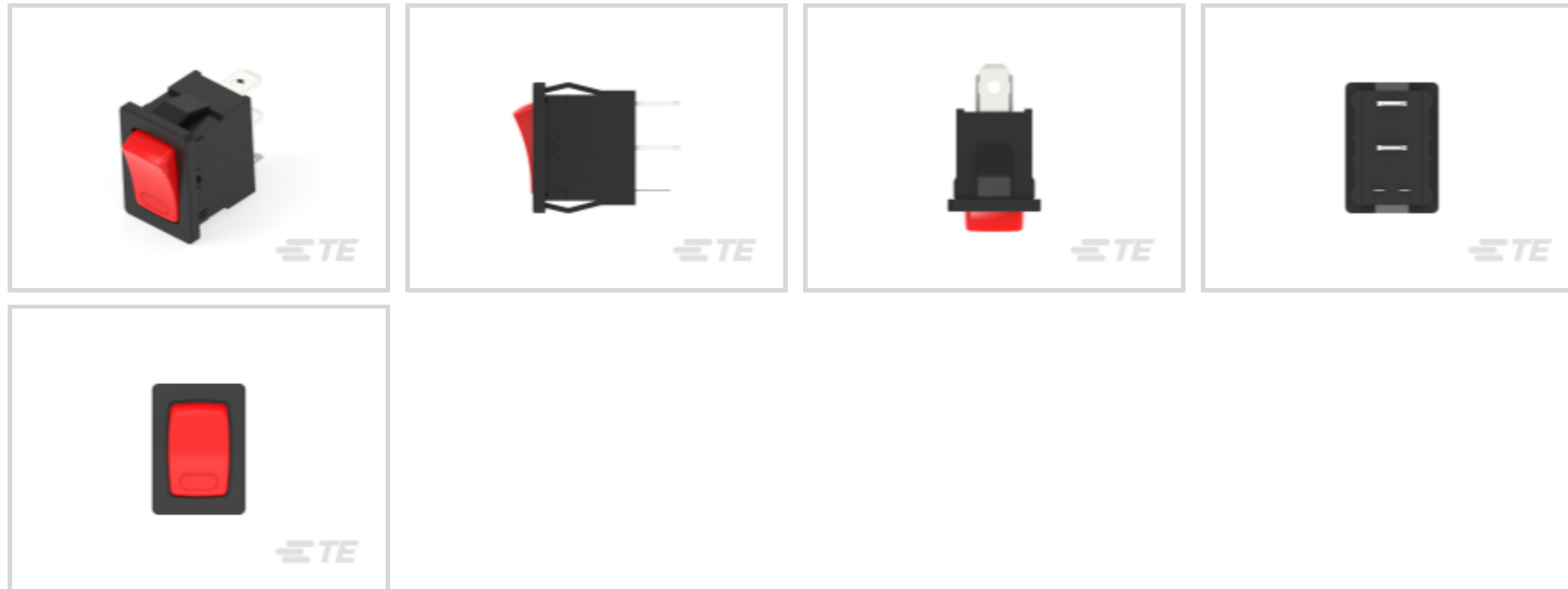
Alcoswitch

TE Internal #: 1571083-2

Rocker Switches, High Power, Panel Rocker Switch Mounting Type, None Indicator/Imprint Legend, Panel Cutout Size .514 x .754 in [13 x 19.2 mm], Silver

[View on TE.com >](#)

Relays, Contactors & Switches > Switches > Rocker Switches



Rocker Switch Type: **High Power**

Rocker Switch Mounting Type: **Panel**

Indicator/Imprint Legend: **None**

Panel Cutout Size: **13 x 19.2 mm [.514 x .754 in]**

Switch Contact Plating Material: **Silver**

Features

Product Type Features

Product Type	Switch
Rocker Switch Type	High Power
Lamp	Without
Rocker Switch LED	With
Actuator Type	Top
Actuator Style	Rocker

Configuration Features

Indicator/Imprint Legend	None
Panel Cutout Size	13 x 19.2 mm [.514 x .754 in]
Configuration (Pole-Throw)	Single Pole - Single Throw
Operating Function	On Off

Electrical Characteristics

Rocker Switch Voltage Rating	125 VAC
------------------------------	---------

Body Features



LED Color	Red
Beveled Frame Color	Black
Actuator Color	Black

Contact Features

Terminal Tab Width	4.75 mm[.187 in]
Switch Contact Plating Material	Silver
Rocker Switch Contact Current Rating	16 A

Termination Features

Termination Type	Quick Connect
------------------	---------------

Mechanical Attachment

Mounting Angle	Vertical
Rocker Switch Mounting Type	Panel

Housing Features

Process Sealed	No
----------------	----

Industry Standards

UL Listed	File No. E46765
VDE Tested	Yes

Product Compliance

[For compliance documentation, visit the product page on TE.com>](#)

EU RoHS Directive 2011/65/EU	Compliant with Exemptions
EU ELV Directive 2000/53/EC	Compliant with Exemptions
China RoHS 2 Directive MIIT Order No 32, 2016	Restricted Materials Above Threshold
EU REACH Regulation (EC) No. 1907/2006	Current ECHA Candidate List: JAN 2021 (211) Candidate List Declared Against: JUL 2019 (201) SVHC > Threshold: Not Yet Reviewed
Halogen Content	BFR/CFR/PVC Free, but Br/Cl >900 ppm in other sources.
Solder Process Capability	Not applicable for solder process capability

Product Compliance Disclaimer

This information is provided based on reasonable inquiry of our suppliers and represents our current actual knowledge based on the information they provided. This information is subject to change. The part numbers that TE has identified as EU RoHS compliant have a maximum concentration of 0.1% by weight in homogenous materials for lead, hexavalent chromium, mercury, PBB, PBDE, DBP, BBP, DEHP, DIBP, and 0.01% for cadmium, or qualify for an exemption to these limits as defined in the Annexes of Directive 2011/65/EU (RoHS2). Finished electrical and electronic equipment products will be CE marked as required by Directive 2011/65/EU. Components may not be CE marked. Additionally, the part numbers that TE has identified as EU ELV compliant have a maximum concentration of 0.1% by weight in homogenous materials for lead, hexavalent chromium, and mercury, and 0.01% for cadmium, or qualify for an exemption to these limits as defined in the Annexes of Directive 2000/53/EC (ELV). Regarding the REACH Regulation, the information TE provides on SVHC in articles for this part number is based on the latest European Chemicals Agency (ECHA) 'Guidance on requirements for substances in articles' posted at this URL: <https://echa.europa.eu/guidance-documents/guidance-on-reach>

Compatible Parts



TE Part # 1-1571076-1
PRASA1-16F-BB0CW=POWER
ROCKER



TE Part # 1571076-9
PRASA1-16F-BB000=POWER ROCKER



TE Part # 1-1571076-0
PRASA1-16F-BB0BW=POWER
ROCKER



TE Part # 1-1571076-2
PRASA1-16L-BB000=POWER ROCKER



TE Part # 1-1571076-4
PRASA1-16L-BB0CW=POWER
ROCKER

Customers Also Bought




TE Part #1-487547-2
1.27mm FFC Connectors Socket
Contacts



TE Part #1-51864-1
PIDG RING TONGUE TERMINALS



TE Part #1734839-8
0.5mm FPC Connectors



TE Part #1-282834-0
TERMI-BLOK PCB MOUNT, 90 10P.



Documents

Product Drawings

[PRASC1-16F-BBR00=POWER ROCKER](#)

English

CAD Files

[3D PDF](#)

3D

Customer View Model

[ENG_CVM_CVM_1571083-2_G.2d_dxf.zip](#)

English

Customer View Model

[ENG_CVM_CVM_1571083-2_G.3d_igs.zip](#)

English

Customer View Model

[ENG_CVM_CVM_1571083-2_G.3d_stp.zip](#)

English

By downloading the CAD file I accept and agree to the [Terms and Conditions](#) of use.

Datasheets & Catalog Pages

[SWITCHES_CORE_PROGRAM_CATALOG](#)

English