



AMP-TY

TE Internal #: 1-604773-9

Cable Ties, Heavy Duty, Bag, 533.78Newton Tensile Strength, 120lbf Tensile Strength, Cable Tie Length 390 mm [15.25 in]

[View on TE.com >](#)

Wire & Cable > Wire & Cable Accessories > Cable Ties



Cable Tie Style: **Heavy Duty**

Cable Tie Packaging Method: **Bag**

Tensile Strength: **120 lbf**

Cable Tie Length: **390 mm [ 15.25 in ]**

**Features**

**Product Type Features**

Product Type	Cable Tie
Cable Tie Style	Heavy Duty
Tensile Strength	120 lbf

**Body Features**

Cable Tie Color	Natural
Cable Tie Material	Nylon

**Dimensions**

Bundle Range Diameter	101.6 mm[4 in]
Cable Tie Length	390 mm[15.25 in]
Cable Tie Width	7.7 mm[.303 in]
Cable Tie Thickness	1.98 mm[.078 in]

**Industry Standards**

Agency/Standard	UL
-----------------	----

**Packaging Features**

Cable Tie Packaging Method	Bag
Cable Tie Packaging Quantity	100

**Product Compliance**

[For compliance documentation, visit the product page on TE.com>](#)



EU RoHS Directive 2011/65/EU	Compliant
EU ELV Directive 2000/53/EC	Compliant
China RoHS 2 Directive MIIT Order No 32, 2016	No Restricted Materials Above Threshold
EU REACH Regulation (EC) No. 1907/2006	Current ECHA Candidate List: JAN 2021 (211) Candidate List Declared Against: JAN 2021 (211) Does not contain REACH SVHC
Halogen Content	Low Halogen - Br, Cl, F, I < 900 ppm per homogenous material. Also BFR/CFR/PVC Free
Solder Process Capability	Not applicable for solder process capability

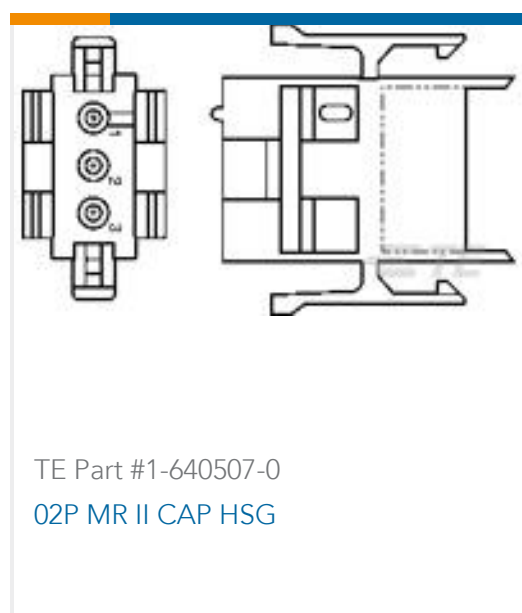
Product Compliance Disclaimer

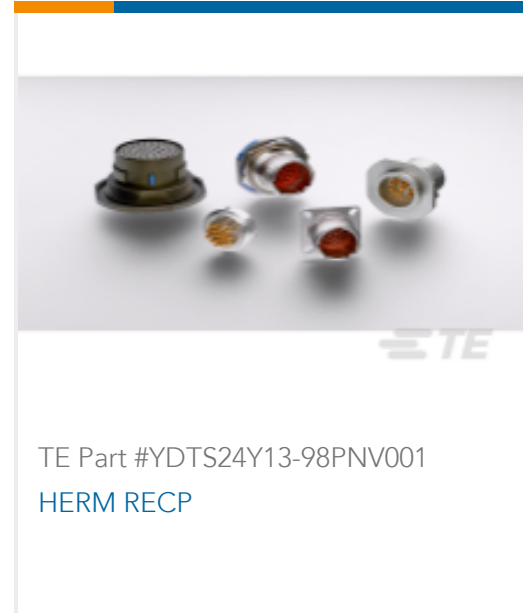
This information is provided based on reasonable inquiry of our suppliers and represents our current actual knowledge based on the information they provided. This information is subject to change. The part numbers that TE has identified as EU RoHS compliant have a maximum concentration of 0.1% by weight in homogenous materials for lead, hexavalent chromium, mercury, PBB, PBDE, DBP, BBP, DEHP, DIBP, and 0.01% for cadmium, or qualify for an exemption to these limits as defined in the Annexes of Directive 2011/65/EU (RoHS2). Finished electrical and electronic equipment products will be CE marked as required by Directive 2011/65/EU. Components may not be CE marked. Additionally, the part numbers that TE has identified as EU ELV compliant have a maximum concentration of 0.1% by weight in homogenous materials for lead, hexavalent chromium, and mercury, and 0.01% for cadmium, or qualify for an exemption to these limits as defined in the Annexes of Directive 2000/53/EC (ELV). Regarding the REACH Regulation, the information TE provides on SVHC in articles for this part number is based on the latest European Chemicals Agency (ECHA) 'Guidance on requirements for substances in articles' posted at this URL: <https://echa.europa.eu/guidance-documents/guidance-on-reach>

### Compatible Parts



### Customers Also Bought





## Documents

### Product Drawings

CABLE TIE HD,15-1/4" L, NAT,100PK

English

### Datasheets & Catalog Pages

CABLE TIES

English