



Relays, Contactors & Switches > Contactors > Mil-Aero Contactors > DC Contactors



DC Contactor Contact Arrangement: **SPST NC**

DC Contactor Contact Current Rating: **.2 A**

Coil Voltage (Max): **28 VDC**

DC Contactor Coil Voltage Rating: **28 VDC**

Coil Termination: **Stud**

Features

Electrical Characteristics

Coil Voltage (Max)	28 VDC
DC Contactor Coil Voltage Rating	28 VDC
DC Contactor Contact Switching Voltage (Max)	28 VDC

Contact Features

DC Contactor Contact Arrangement	SPST NC
DC Contactor Contact Current Rating	.2 A
Pole Configuration	1

Termination Features

Coil Termination	Stud
------------------	------

Mechanical Attachment

DC Contactor Mounting Type	Chassis
----------------------------	---------

Product Compliance

[For compliance documentation, visit the product page on TE.com>](#)

EU RoHS Directive 2011/65/EU	Not Compliant
EU ELV Directive 2000/53/EC	Not Compliant
China RoHS 2 Directive MIIT Order No 32, 2016	Restricted Materials Above Threshold
EU REACH Regulation (EC) No. 1907/2006	Current ECHA Candidate List: JAN 2021 (211)



Candidate List Declared Against: JAN 2021
(211)

Does not contain REACH SVHC

Halogen Content

Not Yet Reviewed for halogen content

Solder Process Capability

Not applicable for solder process capability

Product Compliance Disclaimer


This information is provided based on reasonable inquiry of our suppliers and represents our current actual knowledge based on the information they provided. This information is subject to change. The part numbers that TE has identified as EU RoHS compliant have a maximum concentration of 0.1% by weight in homogenous materials for lead, hexavalent chromium, mercury, PBB, PBDE, DBP, BBP, DEHP, DIBP, and 0.01% for cadmium, or qualify for an exemption to these limits as defined in the Annexes of Directive 2011/65/EU (RoHS2). Finished electrical and electronic equipment products will be CE marked as required by Directive 2011/65/EU. Components may not be CE marked. Additionally, the part numbers that TE has identified as EU ELV compliant have a maximum concentration of 0.1% by weight in homogenous materials for lead, hexavalent chromium, and mercury, and 0.01% for cadmium, or qualify for an exemption to these limits as defined in the Annexes of Directive 2000/53/EC (ELV). Regarding the REACH Regulations, TE's information on SVHC in articles for this part number is still based on the European Chemical Agency (ECHA) 'Guidance on requirements for substances in articles' (Version: 2, April 2011), applying the 0.1% weight on weight concentration threshold at the finished product level. TE is aware of the European Court of Justice ruling of September 10th, 2015 also known as O5A (Once An Article Always An Article) stating that, in case of 'complex object', the threshold for a SVHC must be applied to both the product as a whole and simultaneously to each of the articles forming part of its composition. TE has evaluated this ruling based on the new ECHA "Guidance on requirements for substances in articles" (June 2017, version 4.0) and will be updating its statements accordingly.

Compatible Parts



TE Part # 1-1616131-1
Q50S (FAA/PMA)=RELAY

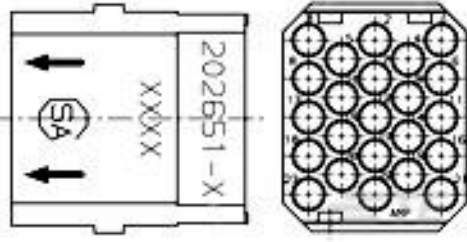
Customers Also Bought



TE Part #183215-000
MTCR-103-04S



TE Part #277162-1
COPALUM Sealed: Butt Splices



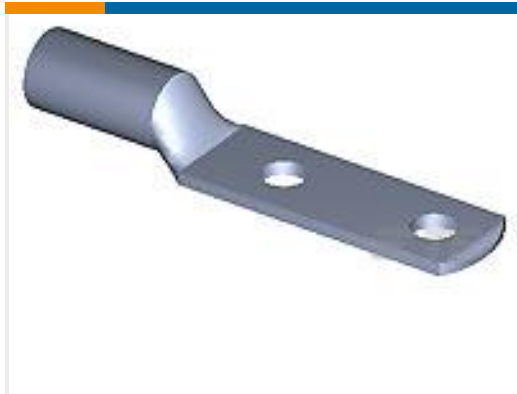
TE Part #202651-4
SKT MODULE, 23 POSN, G-SERIES



TE Part #435441-000
B-046-16-N



TE Part #528719-000
D-500-0255-562-1



TE Part #55833-2
TERM,COPALUM R 4AL6CU (2) 3/8



TE Part #1694983001
55/9953-24-6/9(LAT3)



TE Part #315047-000
55PC0222-12-9/96



TE Part #208551-000
55PC2151-22-2/3/5/6/9-95



TE Part #ZPF300000000099707
DMC-M 99-01 AN

Documents

Product Drawings

[Q50AB2=RELAY CURRENT INDICATOR](#)

English

Datasheets & Catalog Pages

[5-1773450-5_sec6_Q-50](#)

English