

1634201-6 ✓ ACTIVE

Alcoswitch

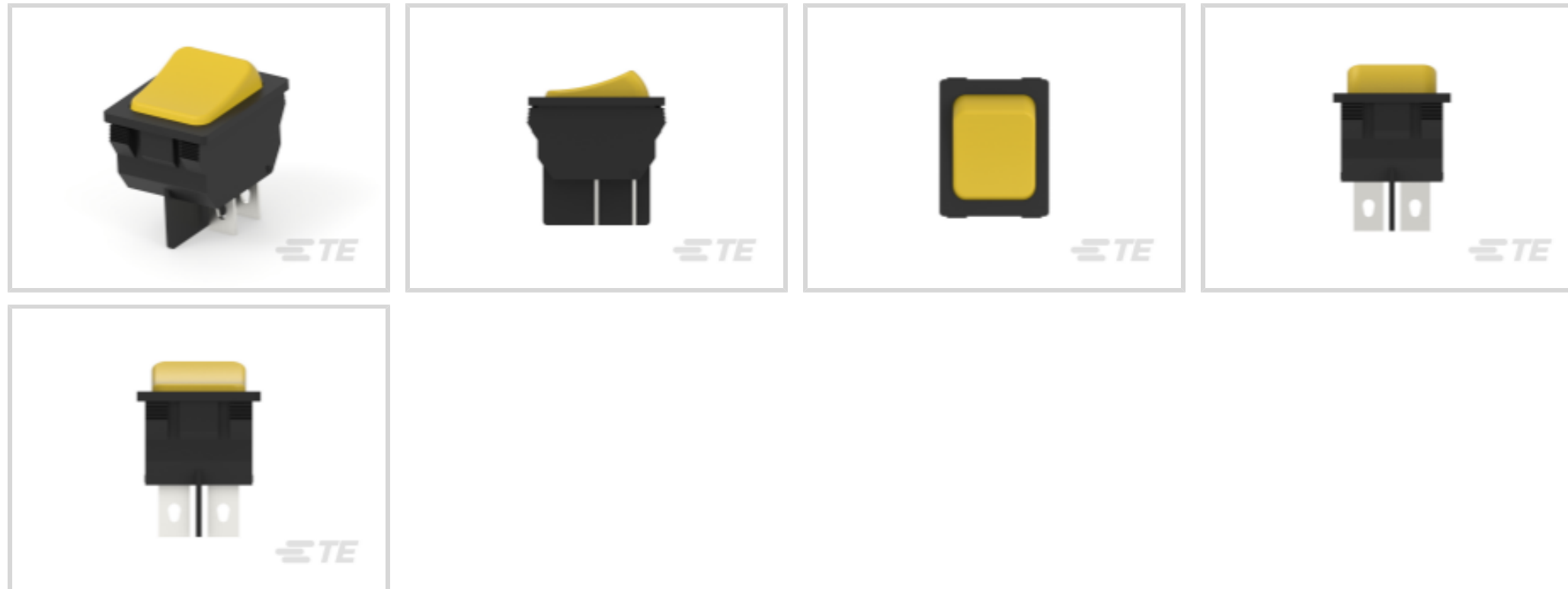
TE Internal #: 1634201-6

Rocker Switches, Power, Panel Rocker Switch Mounting Type, None Indicator/Imprint Legend, Panel Cutout Size 1.19 x .874 in [30.2 x 22.2 mm]

[View on TE.com >](#)



Relays, Contactors & Switches > Switches > Rocker Switches



Rocker Switch Type: **Power**

Rocker Switch Mounting Type: **Panel**

Indicator/Imprint Legend: **None**

Panel Cutout Size: **30.2 x 22.2 mm [1.19 x .874 in]**

Switch Contact Plating Material: **Silver Tin Oxide**

Features

Product Type Features

Product Type	Switch
Rocker Switch Type	Power
Lamp	With
Rocker Switch LED	Without
Actuator Type	Top
Actuator Style	Rocker

Configuration Features

Indicator/Imprint Legend	None
Panel Cutout Size	30.2 x 22.2 mm[1.19 x .874 in]
Configuration (Pole-Throw)	Double Pole - Single Throw
Operating Function	On Off

Electrical Characteristics

Rocker Switch Voltage Rating	125 VAC, 250 VAC
------------------------------	------------------

Body Features



Lens Color	Yellow
Beveled Frame Color	Black
Body Color	Black
Actuator Color	Black

Contact Features

Terminal Tab Width	6.35 mm[.25 in]
Switch Contact Plating Material	Silver Tin Oxide
Rocker Switch Contact Current Rating	10 A, 16 A

Termination Features

Termination Type	Quick Connect
------------------	---------------

Mechanical Attachment

Mounting Angle	Vertical
Rocker Switch Mounting Type	Panel

Housing Features

Process Sealed	No
----------------	----

Industry Standards

VDE Tested	Yes
------------	-----

Other

Comment	Dust Resistant., Lamp-Illuminated Rocker Button.
---------	--

Product Compliance

[For compliance documentation, visit the product page on TE.com>](#)

EU RoHS Directive 2011/65/EU	Not Yet Reviewed
EU ELV Directive 2000/53/EC	Compliant
China RoHS 2 Directive MIIT Order No 32, 2016	No Restricted Materials Above Threshold
EU REACH Regulation (EC) No. 1907/2006	Current ECHA Candidate List: JAN 2021 (211) Candidate List Declared Against: DEC 2014 (161) SVHC > Threshold: Not Yet Reviewed
Halogen Content	Not Yet Reviewed for halogen content
Solder Process Capability	Not applicable for solder process capability

Product Compliance Disclaimer

This information is provided based on reasonable inquiry of our suppliers and represents our current actual knowledge based on the information they provided. This information is subject to change. The part numbers that TE has identified as EU RoHS compliant have a maximum concentration of 0.1% by weight in homogenous materials for lead, hexavalent chromium, mercury, PBB, PBDE, DBP, BBP, DEHP, DIBP, and 0.01% for cadmium, or qualify for an exemption to these limits as defined in the Annexes of Directive 2011/65/EU (RoHS2). Finished electrical and electronic equipment products will be CE marked as required by Directive 2011/65/EU. Components may not be CE marked. Additionally, the part numbers that TE has identified as EU ELV compliant have a maximum concentration of 0.1% by weight in homogenous materials for lead, hexavalent chromium, and mercury, and 0.01% for cadmium, or qualify for an exemption to these limits as defined in the Annexes of Directive 2000/53/EC (ELV). Regarding the REACH Regulations, TE's information on SVHC in articles for this part number is still based on the European Chemical Agency (ECHA) 'Guidance on requirements for substances in articles' (Version: 2, April 2011), applying the 0.1% weight on weight concentration threshold at the finished product level. TE is aware of the European Court of Justice ruling of September 10th, 2015 also known as O5A (Once An Article Always An Article) stating that, in case of 'complex object', the threshold for a SVHC must be applied to both the product as a whole and simultaneously to each of the articles forming part of its composition. TE has evaluated this ruling based on the new ECHA "Guidance on requirements for substances in articles" (June 2017, version 4.0) and will be updating its statements accordingly.

Compatible Parts



TE Part # 1634201-1
PRFDA1-16F-BB000



TE Part # 1634201-3
PRFDA1-16F-BB0CW



TE Part # 1634201-4
PRFDB1-16F-BR000




TE Part # 1634201-2
PRFDA1-16F-BB0BW



TE Part # 1634201-5
PRFDB1-16F-BG000

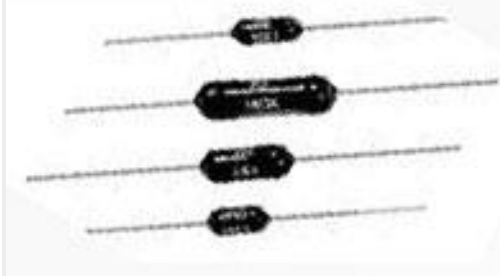
Customers Also Bought



TE Part #1-104480-6
SHORT POINT RECP CONT LP



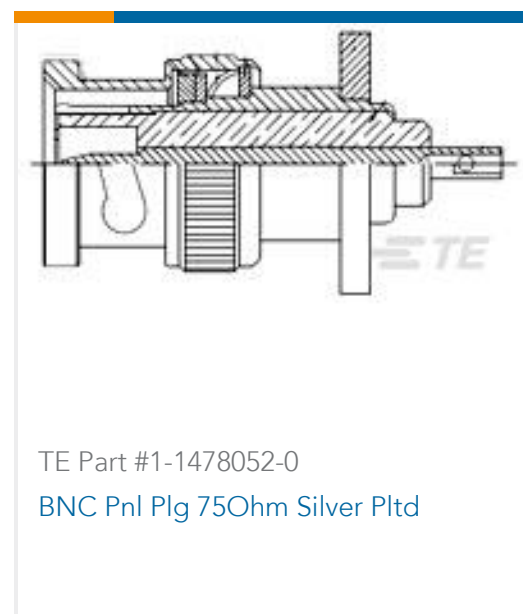
TE Part #1-1625885-5
1W SM M/OX 5% 120K



TE Part #1-1879665-2
H8 16K2 0.1% 15PPM



TE Part #1623858-6
409V 200R



Documents

Product Drawings

[PRFDB1-16F-BY000](#)

English

CAD Files

[3D PDF](#)

3D

Customer View Model

[ENG_CVM_CVM_1634201-6_D.2d_dxf.zip](#)

English

Customer View Model

[ENG_CVM_CVM_1634201-6_D.3d_igs.zip](#)

English

Customer View Model

[ENG_CVM_CVM_1634201-6_D.3d_stp.zip](#)

English

By downloading the CAD file I accept and agree to the [Terms and Conditions](#) of use.

Datasheets & Catalog Pages

[SWITCHES_CORE_PROGRAM_CATALOG](#)

English