

169994-1 ✓ ACTIVE

AMP

TE Internal #: 169994-1

Portable Crimp Tools, Commercial Crimp Tooling, Operator Releasable & Adjustable, Fixed In Tool, TE Product Specification (114-), Manual

[View on TE.com >](#)



Application Tooling > Portable Crimp Tools



Tool Grade: **Commercial Crimp Tooling**

Ratchet Configuration: **Operator Releasable & Adjustable**

Die Sets Type: **Fixed In Tool**

Specification Type: **TE Product Specification (114-)**

TE Certification: **Cannot be Certified**

Features

Other

Crimp Form-Wire Barrel Type	Open Barrel - F Crimp
Tool Grade	Commercial Crimp Tooling
Ratchet Configuration	Operator Releasable & Adjustable
Die Sets Type	Fixed In Tool
Specification Type	TE Product Specification (114-)
TE Certification	Cannot be Certified
Power Technology Type	Manual
Tooling Type	Straight Action Hand Tool

Product Compliance

[For compliance documentation, visit the product page on TE.com>](#)

EU RoHS Directive 2011/65/EU	Compliant
EU ELV Directive 2000/53/EC	Out of Scope
China RoHS 2 Directive MIIT Order No 32, 2016	No Restricted Materials Above Threshold
EU REACH Regulation (EC) No. 1907/2006	Current ECHA Candidate List: JAN 2021 (211) Candidate List Declared Against: JUL 2019 (201) SVHC > Threshold: Not Yet Reviewed

Halogen Content

Low Halogen - Br, Cl, F, I < 900 ppm per homogenous material. Also BFR/CFR/PVC Free

Solder Process Capability

Not applicable for solder process capability

Product Compliance Disclaimer

This information is provided based on reasonable inquiry of our suppliers and represents our current actual knowledge based on the information they provided. This information is subject to change. The part numbers that TE has identified as EU RoHS compliant have a maximum concentration of 0.1% by weight in homogenous materials for lead, hexavalent chromium, mercury, PBB, PBDE, DBP, BBP, DEHP, DIBP, and 0.01% for cadmium, or qualify for an exemption to these limits as defined in the Annexes of Directive 2011/65/EU (RoHS2). Finished electrical and electronic equipment products will be CE marked as required by Directive 2011/65/EU. Components may not be CE marked. Additionally, the part numbers that TE has identified as EU ELV compliant have a maximum concentration of 0.1% by weight in homogenous materials for lead, hexavalent chromium, and mercury, and 0.01% for cadmium, or qualify for an exemption to these limits as defined in the Annexes of Directive 2000/53/EC (ELV). Regarding the REACH Regulation, the information TE provides on SVHC in articles for this part number is based on the latest European Chemicals Agency (ECHA) 'Guidance on requirements for substances in articles' posted at this URL: <https://echa.europa.eu/guidance-documents/guidance-on-reach>

Compatible Parts



TE Part # 170330-2
PL 187 RECEPTACLE 24-20 AWG
NPPHBZ




TE Part # 170330-1
PL MKII 187 REC 24-20AWG PTBR LP

Customers Also Bought



TE Part #1577647-1
TERMINAL RT PIDG PEEK STRATO 10
AWG




TE Part #170330-2
PL 187 RECEPTACLE 24-20 AWG
NPPHBZ



TE Part #170324-2
PL 187 RECEPTACLE 24-20 AWG 0.3
NPCU



TE Part #1-322338-0
DG 16-14 HT ALUMEL R 10



TE Part #130128
SOLIS R 16-14 M5



TE Part #1419118-5
RM28802



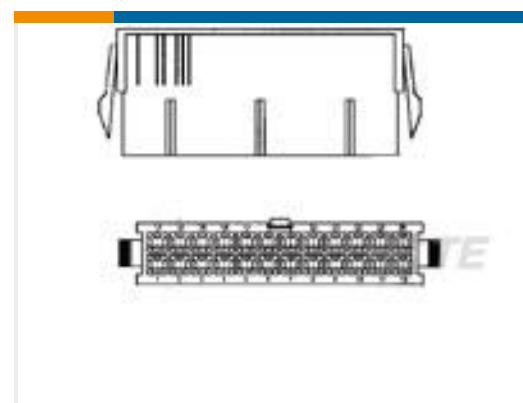
TE Part #1577640-1
TERMINAL RT PIDG PEEK STRATO 14-
12 AWG



TE Part #1577633-1
TERMINAL RT PIDG PEEK STRATO 18-
16 AWG



TE Part #ZPF0000000000001930
182-0118-20



TE Part #1-794953-6
16P PM PLUG VAL-U-LOK V2

Documents

Product Drawings

POS.LOCK H.T.4,8

German

Datasheets & Catalog Pages

CERTI-CRIMPII-Premium-August-1-1773864-7

English

Crimp Term Whitepaper-Use the Right Tool 1-1773953-1

English

Bottoming Dies

English

CRIMPING WHERE FORM MEETS FUNCTION

English

Instruction Sheets

application and maintenance for amp handtool 169994-1

English

Instruction Sheet (non U.S.)

English