

1825011-5 ✓ ACTIVE

[Alcoswitch](#) | [Alcoswitch ASE/F](#)

TE Internal #: 1825011-5

Alcoswitch ASE/F, Slide Switches, Double Pole - Double Throw Configuration (Pole-Throw), Vertical, Copper Alloy, Single Actuator, 2 Position

[View on TE.com >](#)



Relays, Contactors & Switches > Switches > Slide Switches



Configuration (Pole-Throw): **Double Pole - Double Throw**

Slide Switch Mounting Angle: **Vertical**

Contact Base Material: **Copper Alloy**

Number of Actuators: **Single**

Number of Slide Switch Positions: **2**

Features

Product Type Features

Threaded Case	Without
Grade	Telecom
Switch Type	Slide
Product Type	Switch
Switch Style	Auto-Insertable
Terminal Configuration	Standard
Actuator Style	Flush, Top

Configuration Features

Configuration (Pole-Throw)	Double Pole - Double Throw
Number of Actuators	Single
Number of Slide Switch Positions	2
Operating Function	On On

Electrical Characteristics

Slide Switch Voltage Rating (VDC)	20
-----------------------------------	----

Body Features

Actuator Travel	2.79 mm[.11 in]
Actuator Material	Nylon
Actuator Color	Natural



Contact Features

Contact Base Material	Copper Alloy
Slide Switch Contact Current Rating	.4 A
Switch Contact Plating Material	Gold

Termination Features

Termination Type	PC, SMT, Gull Wing
------------------	--------------------

Mechanical Attachment

PCB Mount Retention	Without
Slide Switch Mounting Angle	Vertical
Slide Switch Mounting Type	Surface Mount

Dimensions

PCB Tail Length	4.06 mm[.16 in]
Actuator Length	.64 mm[.025 in]
Width	7.35 mm[.289 in]
Length	10.16 mm[.4 in]

Identification Marking

Stamped Marking	With
-----------------	------

Industry Standards

UL Flammability Rating	UL 94V-0
------------------------	----------

Packaging Features

Packaging Method	Box & Tube, Tube
------------------	------------------

Product Compliance

[For compliance documentation, visit the product page on TE.com>](#)

EU RoHS Directive 2011/65/EU	Compliant
EU ELV Directive 2000/53/EC	Compliant
China RoHS 2 Directive MIIT Order No 32, 2016	No Restricted Materials Above Threshold
EU REACH Regulation (EC) No. 1907/2006	Current ECHA Candidate List: JAN 2021 (211) Candidate List Declared Against: JAN 2021 (211) Does not contain REACH SVHC
Halogen Content	Not Low Halogen - contains Br or Cl > 900 ppm.

Solder Process Capability

Reflow solder capable to 260°C

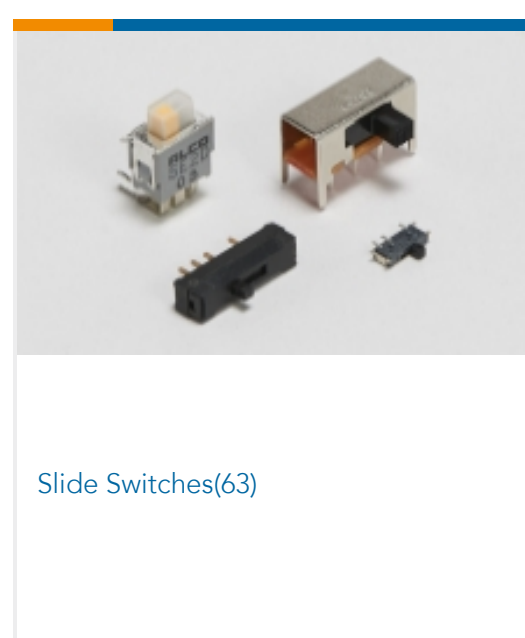
Product Compliance Disclaimer

This information is provided based on reasonable inquiry of our suppliers and represents our current actual knowledge based on the information they provided. This information is subject to change. The part numbers that TE has identified as EU RoHS compliant have a maximum concentration of 0.1% by weight in homogenous materials for lead, hexavalent chromium, mercury, PBB, PBDE, DBP, BBP, DEHP, DIBP, and 0.01% for cadmium, or qualify for an exemption to these limits as defined in the Annexes of Directive 2011/65/EU (RoHS2). Finished electrical and electronic equipment products will be CE marked as required by Directive 2011/65/EU. Components may not be CE marked. Additionally, the part numbers that TE has identified as EU ELV compliant have a maximum concentration of 0.1% by weight in homogenous materials for lead, hexavalent chromium, and mercury, and 0.01% for cadmium, or qualify for an exemption to these limits as defined in the Annexes of Directive 2000/53/EC (ELV). Regarding the REACH Regulation, the information TE provides on SVHC in articles for this part number is based on the latest European Chemicals Agency (ECHA) 'Guidance on requirements for substances in articles' posted at this URL: <https://echa.europa.eu/guidance-documents/guidance-on-reach>

Compatible Parts



Also in the Series | Alcoswitch ASE/F



Customers Also Bought



TE Part #1-5380758-0
Mini Spring Sockets: Closed Bottom,
4A



TE Part #1676212-1
RN 0805 18K2 0.1% 10PPM CUT
LENGTH



TE Part #2-1614351-1
RN 0603 1K05 0.1% 10PPM CUT
LENGTH



TE Part #1825010-1
ASE2204=DPDT AUTOSLIDE



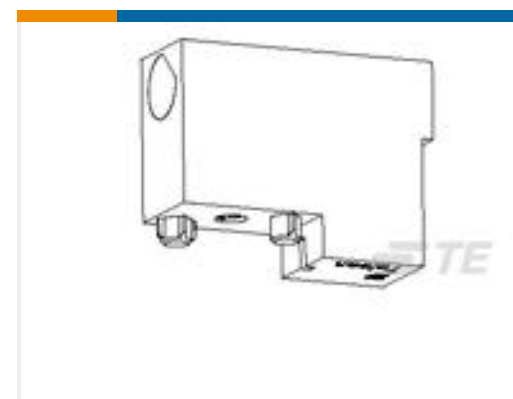
TE Part #1-1825010-0
ASE22RL04=DPDT AUTOSLIDE



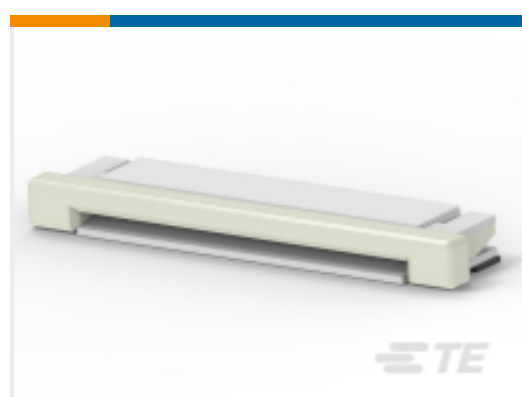
TE Part #2-1419108-5
RTB14012F



TE Part #1-87215-3
22 MODII HDR DRST UNSHRD .100



TE Part #1410465-1
VITA 41 KEYED GUIDE MODULE



TE Part #2-1775333-0
0.5mm FPC Connectors



TE Part #ZPF000000000205816
ACT 24 J F-35 UA

Documents

Product Drawings

[ASF22GL04=DPDT AUTOSLIDE](#)

English

CAD Files

[3D PDF](#)

3D

Customer View Model

[ENG_CVM_CVM_1825011-5_C.2d_dxf.zip](#)

English

Customer View Model

[ENG_CVM_CVM_1825011-5_C.3d_igs.zip](#)

English

Customer View Model

[ENG_CVM_CVM_1825011-5_C.3d_stp.zip](#)

English

By downloading the CAD file I accept and agree to the [Terms and Conditions](#) of use.

Datasheets & Catalog Pages



[SWITCHES_CORE_PROGRAM_CATALOG](#)

English