

1825136-9 ✓ ACTIVE

Alcoswitch | Alcoswitch Gemini A

TE Internal #: 1825136-9

Alcoswitch Gemini A, Toggle Switches, Single Pole - Double Throw Configuration (Pole-Throw), 1/4-40, Sealed Toggle Switch, Copper, Silver

[View on TE.com >](#)



Relays, Contactors & Switches > Switches > Toggle Switches



Configuration (Pole-Throw): **Single Pole - Double Throw**

Bushing Thread Size: **1/4-40**

Sealed Toggle Switch: **Yes**

Contact Base Material: **Copper**

Switch Contact Plating Material: **Silver**

Features

Product Type Features

Product Type	Switch
Sealed Toggle Switch	Yes
Toggle Style	Lever
Toggle Switch Type	Toggle
Toggle Actuation	Vertical

Configuration Features

Configuration (Pole-Throw)	Single Pole - Double Throw
Operating Function	On On

Electrical Characteristics

Dielectric Strength	1000 VAC
Insulation Resistance	1000 MΩ
Contact Resistance	10 mΩ
Toggle Switch Voltage Rating	125 VAC, 28 VDC

Body Features

Actuator Finish	Nickel
Bushing Thread Size	1/4-40
Toggle Switch Seal Type	Terminal Seal (Epoxy)
Bushing Style	Unthreaded



Contact Features

Contact Base Material	Copper
Switch Contact Plating Material	Silver
Toggle Switch Contact Current Rating	5 A

Termination Features

Termination Type	Vertical Support Bracket
------------------	--------------------------

Mechanical Attachment

Toggle Switch Mounting Type	Through Hole
-----------------------------	--------------

Housing Features

Process Sealed	No
----------------	----

Dimensions

Toggle Length	18.03 mm[.71 in] .28 in
---------------	----------------------------

Industry Standards

UL Flammability Rating	UL 94V-1
------------------------	----------

Product Compliance

[For compliance documentation, visit the product page on TE.com>](#)

EU RoHS Directive 2011/65/EU	Not Yet Reviewed
EU ELV Directive 2000/53/EC	Compliant with Exemptions
China RoHS 2 Directive MIIT Order No 32, 2016	Restricted Materials Above Threshold
EU REACH Regulation (EC) No. 1907/2006	Current ECHA Candidate List: JAN 2021 (211) Candidate List Declared Against: JUN 2018 (191) SVHC > Threshold: Pb (3.7% in Component Part) Article Safe Usage Statements: Do not eat, drink or smoke when using this product. Wash thoroughly after handling. Recycle if possible and dispose of the article by following all applicable governmental regulations relevant to your geographic location.
Halogen Content	Low Halogen - Br, Cl, F, I < 900 ppm per homogenous material. Also BFR/CFR/PVC Free
Solder Process Capability	Wave solder capable to 265°C

Product Compliance Disclaimer



This information is provided based on reasonable inquiry of our suppliers and represents our current actual knowledge based on the information they provided. This information is subject to change. The part numbers that TE has identified as EU RoHS compliant have a maximum concentration of 0.1% by weight in homogenous materials for lead, hexavalent chromium, mercury, PBB, PBDE, DBP, BBP, DEHP, DIBP, and 0.01% for cadmium, or qualify for an exemption to these limits as defined in the Annexes of Directive 2011/65/EU (RoHS2). Finished electrical and electronic equipment products will be CE marked as required by Directive 2011/65/EU. Components may not be CE marked. Additionally, the part numbers that TE has identified as EU ELV compliant have a maximum concentration of 0.1% by weight in homogenous materials for lead, hexavalent chromium, and mercury, and 0.01% for cadmium, or qualify for an exemption to these limits as defined in the Annexes of Directive 2000/53/EC (ELV). Regarding the REACH Regulation, the information TE provides on SVHC in articles for this part number is based on the latest European Chemicals Agency (ECHA) 'Guidance on requirements for substances in articles' posted at this URL: <https://echa.europa.eu/guidance-documents/guidance-on-reach>

Compatible Parts



TE Part # 4-1825136-5
A101SYCQ04



TE Part # 1825136-7
A101KZQ04



TE Part # 4-1825136-9
A101SYZQ04




TE Part # 5-1825136-9
A108P3ZQ04



TE Part # 4-1825136-3
A101SYAQ04

Also in the Series | Alcoswitch Gemini A



Toggle Switches(97)

Customers Also Bought



TE Part #131250-000
Bulbous Heat Shrink Boots: Lipped, Right Angle



TE Part #1-1419104-7
PCB Power Relay: 30 Amp, Monostable DC



TE Part #1-66100-9
TYPE III CONTACTS STRIP



TE Part #1-1623728-8
Wirewound Resistor: Vertical Mount



TE Part #1-206934-1
CPC RECPT ASSEMBLY SIZE 23-37



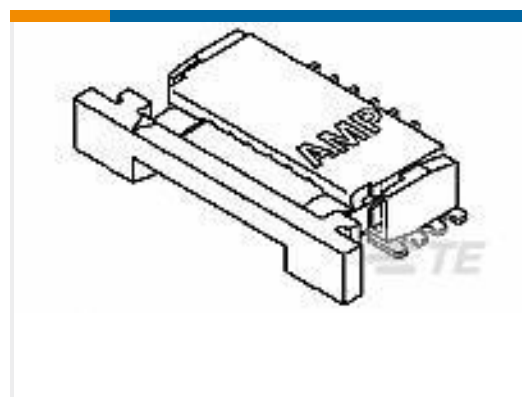
TE Part #1-1478032-0
BNC Ins R/A PCB Skt 75Ohm White



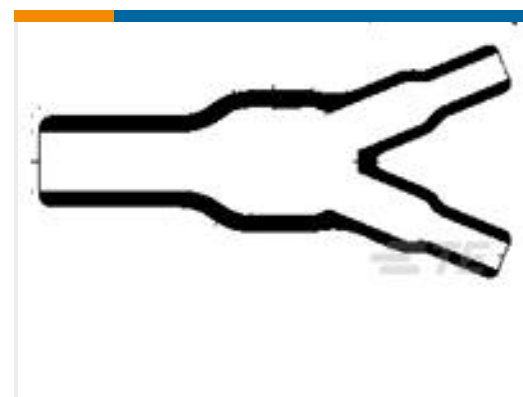
TE Part #1-1437653-2
6PCV-08-009



TE Part #1-87220-8
18 MODII HDR SRST UNSHRD .100



TE Part #1-487952-4
014 1MM FPC BTM HORZ



TE Part #E34762-000
382W042-3/42-0

Documents

Product Drawings

[A101L1D9V30Q04](#)

English

Datasheets & Catalog Pages

[SWITCHES_CORE_PROGRAM_CATALOG](#)

English

[GEMINI_SERIES_SWITCHES_QUICK_REF_GUIDE_2-1773458-5](#)

English