



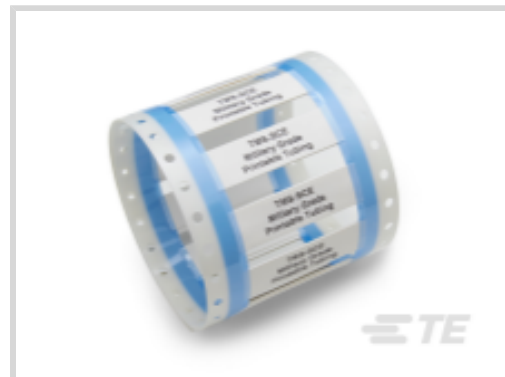
TMS-SCE

TE Internal #: 186782-000

TMS-SCE, Printable Tubing, Ladder Printable Tubing Type, Military Printable Tubing Grade, 3:1 Printable Tubing Shrink Ratio, Yellow

[View on TE.com >](#)

Identification & Labeling > Printable Tubing > TMS-SCE MILITARY GRADE SLEEVES



Printable Tubing Type: **Ladder**

Printable Tubing Grade: **Military**

Printable Tubing Shrink Ratio: **3:1**

Primary Product Color: **Yellow**

Markers per Sleeve: **1**

[All TMS-SCE MILITARY GRADE SLEEVES \(94\)](#)

Features

Product Type Features

Printable Tubing Type	Ladder
Printable Tubing Grade	Military

Body Features

Printable Tubing Shrink Ratio	3:1
Primary Product Color	Yellow
Markers per Sleeve	1

Dimensions

Product Length	50 mm[2 in]
Supplied Inner Diameter	57.1 mm[2.25 in]
Recovered Inside Diameter	19 mm[.75 in]
Compatible Cable Diameter Range	22.3 – 50.8 mm[.88 – 2. in]

Usage Conditions

Operating Temperature Range	-55 – 135 °C[-67 – 275 °F]
-----------------------------	----------------------------

Operation/Application

Recommended Ribbon	See TE Document 411-121005 the Printer Product Ribbon Matrix
--------------------	--



Printer/Label Features

Recommended Printer	See TE Document 411-121005 the Printer Product Ribbon Matrix
Printer Technology	Thermal Transfer

Packaging Features

Packaging Quantity	250
--------------------	-----

Product Compliance

[For compliance documentation, visit the product page on TE.com>](#)

EU RoHS Directive 2011/65/EU	Compliant
EU ELV Directive 2000/53/EC	Compliant
China RoHS 2 Directive MIIT Order No 32, 2016	No Restricted Materials Above Threshold
EU REACH Regulation (EC) No. 1907/2006	Current ECHA Candidate List: JAN 2021 (211) Candidate List Declared Against: JAN 2021 (211) Does not contain REACH SVHC
Halogen Content	Not Low Halogen - contains Br or Cl > 900 ppm.
Solder Process Capability	Not applicable for solder process capability

Product Compliance Disclaimer

This information is provided based on reasonable inquiry of our suppliers and represents our current actual knowledge based on the information they provided. This information is subject to change. The part numbers that TE has identified as EU RoHS compliant have a maximum concentration of 0.1% by weight in homogenous materials for lead, hexavalent chromium, mercury, PBB, PBDE, DBP, BBP, DEHP, DIBP, and 0.01% for cadmium, or qualify for an exemption to these limits as defined in the Annexes of Directive 2011/65/EU (RoHS2). Finished electrical and electronic equipment products will be CE marked as required by Directive 2011/65/EU. Components may not be CE marked. Additionally, the part numbers that TE has identified as EU ELV compliant have a maximum concentration of 0.1% by weight in homogenous materials for lead, hexavalent chromium, and mercury, and 0.01% for cadmium, or qualify for an exemption to these limits as defined in the Annexes of Directive 2000/53/EC (ELV). Regarding the REACH Regulation, the information TE provides on SVHC in articles for this part number is based on the latest European Chemicals Agency (ECHA) 'Guidance on requirements for substances in articles' posted at this URL: <https://echa.europa.eu/guidance-documents/guidance-on-reach>

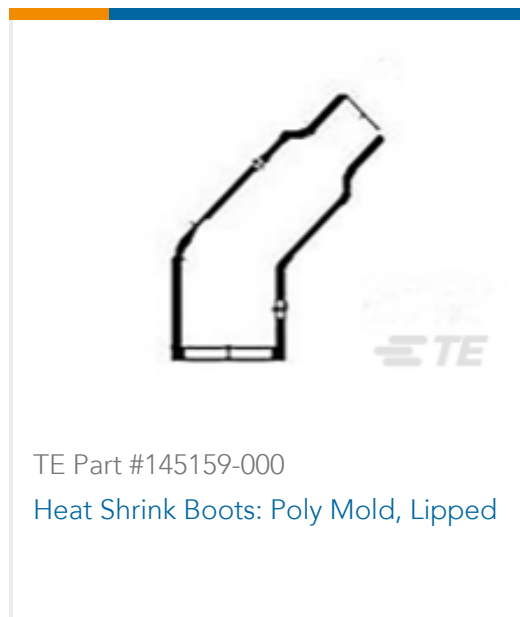
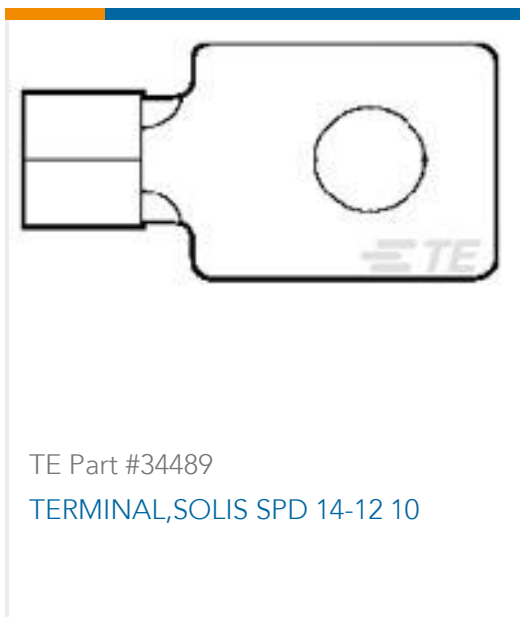
Compatible Parts

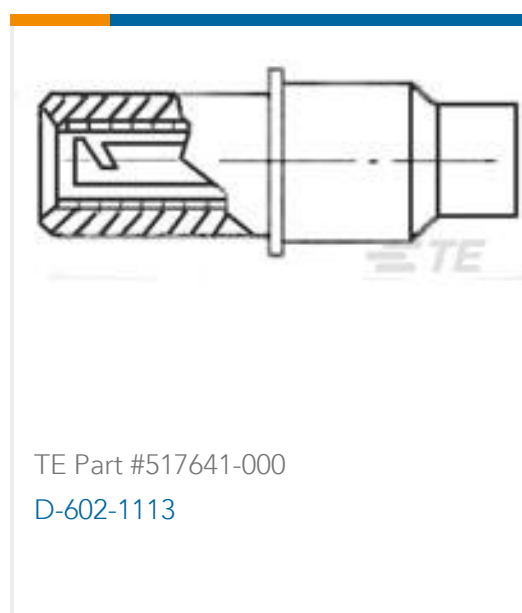


Also in the Series | TMS-SCE



Customers Also Bought





Documents

Product Drawings

[TMS-SCE-2-1/4-2.0-4](#)

English

Datasheets & Catalog Pages

[IDENTIFICATION SELECTION GUIDE](#)

English

Instruction Sheets

[Instruction Sheet \(non U.S.\)](#)

English