



Alcoswitch

TE Internal #: 1977263-3

Tactile Switches, Round Actuator Style, Operating Function NO, Stainless Steel, Silver, Low Profile, 50mA Tactile Switch Contact Current Rating

[View on TE.com >](#)

Relays, Contactors & Switches > Switches > Tactile Switches



Actuator Style: **Round**

Operating Function: **NO**

Contact Base Material: **Stainless Steel**

Switch Contact Plating Material: **Silver**

Dust Proof: **No**

Features

Product Type Features

Product Type	Switch
Leg Style	Kinked
Illuminated	With
Actuator Style	Round
Dust Proof	No

Configuration Features

Tactile Feel	With
ESD Grounding Terminal	With
Ganged	With
Tactile	Yes
Snap Action	Without
Operating Function	NO
Support Bracket	Without
Configuration (Pole-Throw)	Single Pole - Single Throw
Number of Actuators	1

Electrical Characteristics

Tactile Switch Voltage Rating	24 VDC
-------------------------------	--------

Body Features



Cover Material	Copper Alloy
Case Color	Ivory
Actuator Force	260 g[9.178 oz]
Case Material	Nylon
Bushing Style	Unthreaded
Actuator Profile	Extended
Actuator Material	Nylon
Actuator Color	Pink

Contact Features

Contact Base Material	Stainless Steel
Switch Contact Plating Material	Silver
Tactile Switch Contact Current Rating	50 mA

Termination Features

Termination Type	Printed Circuit Board
------------------	-----------------------

Mechanical Attachment

Tactile Switch Mounting Type	Surface Mount
Tactile Switch Mounting Angle	Vertical

Housing Features

Low Profile	With
Process Sealed	No

Dimensions

Actuator Length	.5 mm[.02 in]
Button Width	2.3 mm[.118 in]
	.122 in

Usage Conditions

Temperature Rating	Standard °C
--------------------	-------------

Packaging Features

Packaging Method	Loose Piece
------------------	-------------

Other

Comment	(On) indicates momentary position.
---------	------------------------------------

Product Compliance



[For compliance documentation, visit the product page on TE.com>](#)

EU RoHS Directive 2011/65/EU	Compliant
EU ELV Directive 2000/53/EC	Compliant
China RoHS 2 Directive MIIT Order No 32, 2016	No Restricted Materials Above Threshold
EU REACH Regulation (EC) No. 1907/2006	Current ECHA Candidate List: JAN 2021 (211) Candidate List Declared Against: JAN 2021 (211) Does not contain REACH SVHC
Halogen Content	Not Low Halogen - contains Br or Cl > 900 ppm.
Solder Process Capability	Reflow solder capable to 260°C

Product Compliance Disclaimer

This information is provided based on reasonable inquiry of our suppliers and represents our current actual knowledge based on the information they provided. This information is subject to change. The part numbers that TE has identified as EU RoHS compliant have a maximum concentration of 0.1% by weight in homogenous materials for lead, hexavalent chromium, mercury, PBB, PBDE, DBP, BBP, DEHP, DIBP, and 0.01% for cadmium, or qualify for an exemption to these limits as defined in the Annexes of Directive 2011/65/EU (RoHS2). Finished electrical and electronic equipment products will be CE marked as required by Directive 2011/65/EU. Components may not be CE marked. Additionally, the part numbers that TE has identified as EU ELV compliant have a maximum concentration of 0.1% by weight in homogenous materials for lead, hexavalent chromium, and mercury, and 0.01% for cadmium, or qualify for an exemption to these limits as defined in the Annexes of Directive 2000/53/EC (ELV). Regarding the REACH Regulation, the information TE provides on SVHC in articles for this part number is based on the latest European Chemicals Agency (ECHA) 'Guidance on requirements for substances in articles' posted at this URL: <https://echa.europa.eu/guidance-documents/guidance-on-reach>

Compatible Parts



TE Part # 1825910-6
FSM4JH=6MM TACT SWITCH, HIGH TEMP



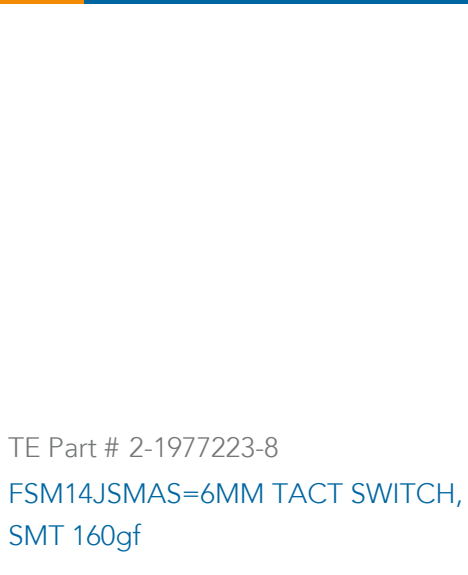
TE Part # 2-1825910-7
FSM14JH=6MM TACT SWITCH, HIGH TEMP



TE Part # 4-1437565-2
FSM4JSMATR=TACT SWITCH 6X6MIL



TE Part # 3-1437565-0
FSM2JSMATR=ON T/R



TE Part # 2-1977223-8
FSM14JSMAS=6MM TACT SWITCH, SMT 160gf

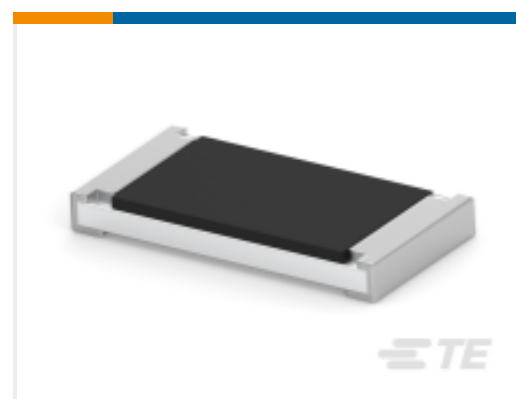
Customers Also Bought



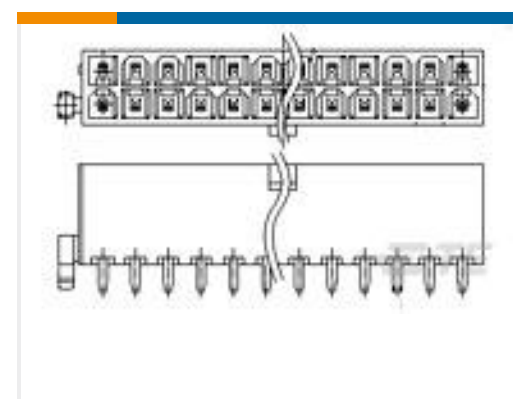
TE Part #1-1705950-1
RJ25 Connectors



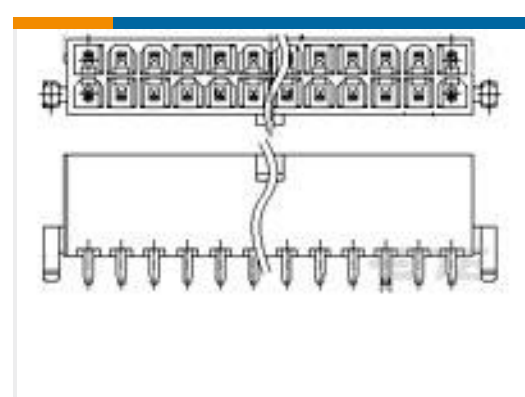
TE Part #163082-1
TYPE III CONTACTS LP EMEA



TE Part #2-1879461-6
Thick Film Resistor: Current Sense



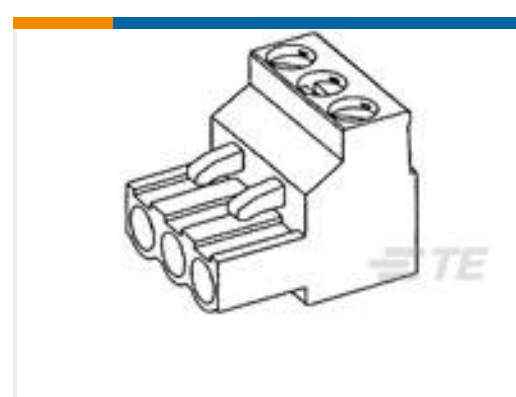
TE Part #1775099-8
ATX PWR CONN 1 BDLK 12 POS



TE Part #2-1775099-1
ATX PWR CONN 2 BDLK 6 POS



TE Part #T1460240121-000
H24B-SDR-BO-PG21



TE Part #1546108-2
EUROSTYLE TB PLUG GREY STKG 2P



TE Part #2-84534-2
1.25mm FPC Connectors



TE Part #2-1825136-6
A101P3CB04



TE Part #1393280-6
V23086C1001A403

Documents

Product Drawings

[FSM1LPAS=ESD GND SMD TACT SWITCH](#)

English

CAD Files

[3D PDF](#)

[3D](#)

[Customer View Model](#)

[ENG_CVM_CVM_1977263-3_A.2d_dxf.zip](#)

English

[Customer View Model](#)

[ENG_CVM_CVM_1977263-3_A.3d_igs.zip](#)

English

[Customer View Model](#)

[ENG_CVM_CVM_1977263-3_A.3d_stp.zip](#)

English

By downloading the CAD file I accept and agree to the [Terms and Conditions](#) of use.



Datasheets & Catalog Pages

SWITCHES_CORE_PROGRAM_CATALOG

English

Product Environmental Compliance

Product Compliance

English

Product Compliance

English