



AMP

TE Internal #: 2063291-1
 Portable Crimp Tools, Commercial Crimp Tooling, Operator
 Releasable & Adjustable, Removable/Interchangeable, TE Product
 Specification (114-)

[View on TE.com >](#)

Application Tooling > Portable Crimp Tools



Tool Grade: **Commercial Crimp Tooling**
 Ratchet Configuration: **Operator Releasable & Adjustable**
 Die Sets Type: **Removable/Interchangeable**
 Specification Type: **TE Product Specification (114-)**
 TE Certification: **Upon Request for Fee**

Features

Other

Crimp Form-Wire Barrel Type	Open Barrel - F Crimp
Tool Grade	Commercial Crimp Tooling
Ratchet Configuration	Operator Releasable & Adjustable
Die Sets Type	Removable/Interchangeable
Specification Type	TE Product Specification (114-)
TE Certification	Upon Request for Fee
Power Technology Type	Battery, Electric, Manual
Tooling Type	PRO-CRIMPER Hand Tool

Product Compliance

[For compliance documentation, visit the product page on TE.com>](#)

EU RoHS Directive 2011/65/EU	Out of Scope
EU ELV Directive 2000/53/EC	Out of Scope
China RoHS 2 Directive MIIT Order No 32, 2016	Not reviewed for China RoHS compliance
EU REACH Regulation (EC) No. 1907/2006	Current ECHA Candidate List: JAN 2021 (211) Candidate List Declared Against: JUN 2016 (169) SVHC > Threshold: Not Yet Reviewed



Halogen Content Not Yet Reviewed for halogen content

Solder Process Capability Not applicable for solder process capability

Product Compliance Disclaimer

This information is provided based on reasonable inquiry of our suppliers and represents our current actual knowledge based on the information they provided. This information is subject to change. The part numbers that TE has identified as EU RoHS compliant have a maximum concentration of 0.1% by weight in homogenous materials for lead, hexavalent chromium, mercury, PBB, PBDE, DBP, BBP, DEHP, DIBP, and 0.01% for cadmium, or qualify for an exemption to these limits as defined in the Annexes of Directive 2011/65/EU (RoHS2). Finished electrical and electronic equipment products will be CE marked as required by Directive 2011/65/EU. Components may not be CE marked. Additionally, the part numbers that TE has identified as EU ELV compliant have a maximum concentration of 0.1% by weight in homogenous materials for lead, hexavalent chromium, and mercury, and 0.01% for cadmium, or qualify for an exemption to these limits as defined in the Annexes of Directive 2000/53/EC (ELV). Regarding the REACH Regulations, TE's information on SVHC in articles for this part number is still based on the European Chemical Agency (ECHA) 'Guidance on requirements for substances in articles' (Version: 2, April 2011), applying the 0.1% weight on weight concentration threshold at the finished product level. TE is aware of the European Court of Justice ruling of September 10th, 2015 also known as O5A (Once An Article Always An Article) stating that, in case of 'complex object', the threshold for a SVHC must be applied to both the product as a whole and simultaneously to each of the articles forming part of its composition. TE has evaluated this ruling based on the new ECHA "Guidance on requirements for substances in articles" (June 2017, version 4.0) and will be updating its statements accordingly.

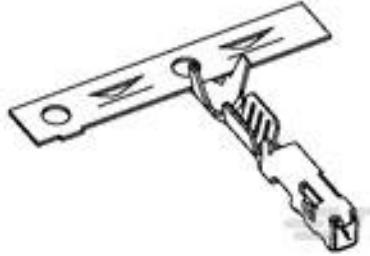
Compatible Parts



TE Part # 1456968-1
CONTACT,FEMALE, 0.64, 20 TO 22 AWG, AG



TE Part # 2035334-2
CONTACT,FEMALE0.64, 18 AWG



TE Part # 1924955-2
CONTACT,FEMALE0.64,18AWG, UNSEALED



TE Part # 1456968-2
CONTACT,FEMALE, 0.64, 18 AWG, AG



TE Part # 2098762-2
Contact,female0.64, 18AWG, CuN




TE Part # 1924955-4
CONTACT,FEMALE0.64,18AWG, UNSEALED



TE Part # 1924968-2
Contact, male 0.64, 18 AWG



TE Part # 1924968-1
Contact, male 0.64, 20 to 22 AWG



TE Part # 1924955-1
CONTACT,FEMALE0.64,20-22AWG, UNSEAL



TE Part # 2035170-1
CONTACT,FEMALE, 0.64, 20-22, C



TE Part # 1924968-4
Contact, male 0.64, 18 AWG



TE Part # 2098762-1
Contact,female0.64, 20-22AWG,




TE Part # 2035334-4
Contact,female0.64, 18 AWG



TE Part # 1924968-3
Contact, male 0.64, 20 to 22 AWG



TE Part # 2035334-1
CONTACT,FEMALE0.64, 20 TO 22 A



TE Part # 1924955-3
CONTACT,FEMALE0.64,20-22AWG, UNSEAL



TE Part # 2035334-3
CONTACT,FEMALE0.64, 20 TO 22 AWG



TE Part # 1456968-3
CONTACT,FEMALE, 0.64, 20 TO 22 AWG, AG



TE Part # 2035170-2
CONTACT,FEMALE, 0.64, 18AWG,CU

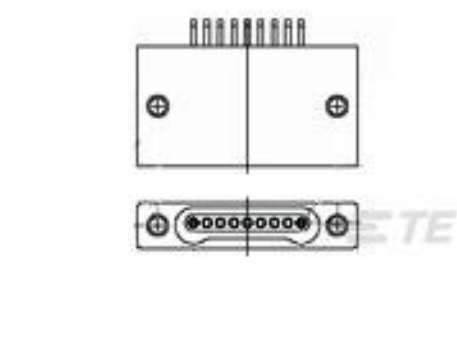


TE Part # 2035170-5
CONTACT,FEMALE, 0.64, 20-22,CU

Customers Also Bought



TE Part #1648132-1
235-0162-01100=SA CONN,PIN



TE Part #1589462-9
SSL009L2HN = SMT CONN



TE Part #1473672-1
TH/.025 CONNECTOR SYSTEM, HOUSING



TE Part #1456968-1
CONTACT,FEMALE, 0.64, 20 TO 22 AWG, AG



TE Part #1456968-2
CONTACT,FEMALE, 0.64, 18 AWG, AG



TE Part #1924136-3
Carrier, 26P GenerationY, Hand Mate Conn



TE Part #1473369-1
SQUIB 11DIA SCR ASSY 8.8MM TYP



TE Part #1729919-1
EXTRACTION TOOL FOR 025/040 CLEAN BODY C



TE Part #DTV02-18PD
REC, 18P, BRN, N, FLANGE, D

Documents



Datasheets & Catalog Pages

[1-1773865-2_1015_Commercial Manual Hand Tools](#)

English

[Crimp Term Whitepaper-Use the Right Tool 1-1773953-1](#)

English

[Bottoming Dies](#)

English

[CRIMPING WHERE FORM MEETS FUNCTION](#)

English

Instruction Sheets

[Instruction Sheet \(U.S.\)](#)

English