

824-AG11D-ESL-LF DO NOT USE FOR NEW DESIGN

DIPLOMATE | DIPLOMATE 800 Series

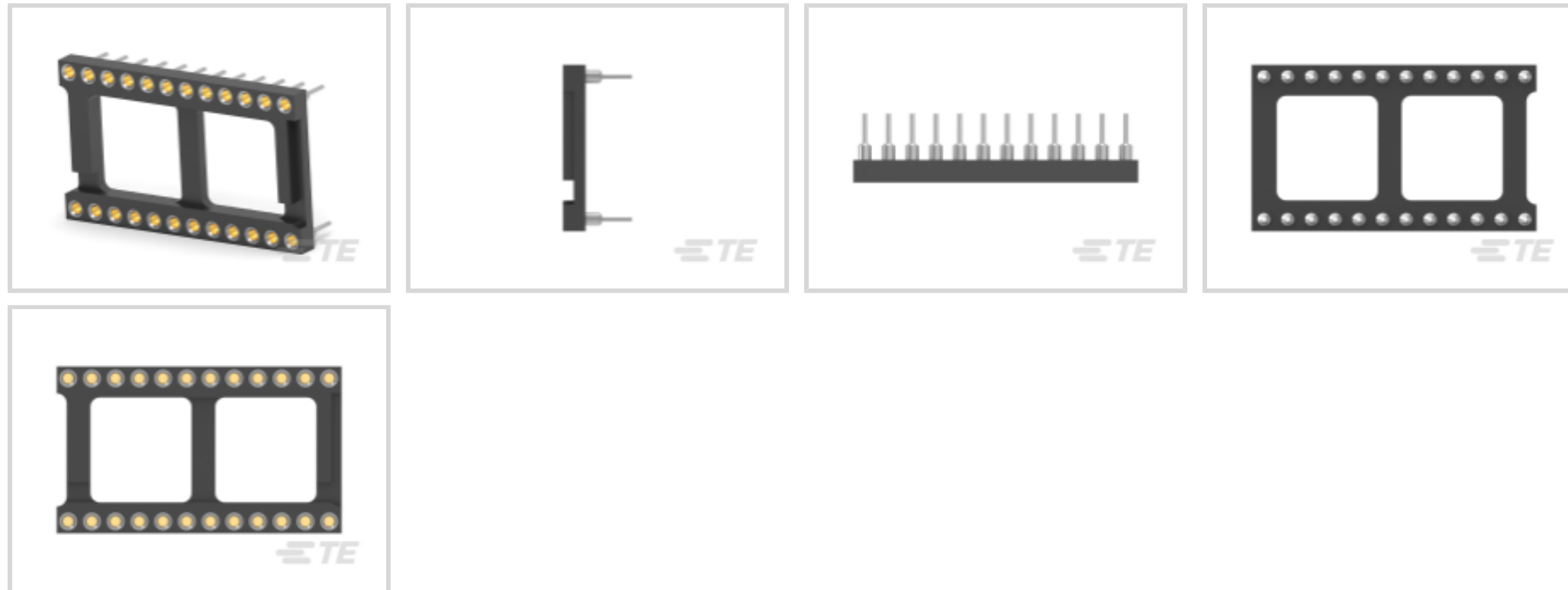
TE Internal #: 2-1571552-8

DIPLOMATE 800 Series, DIP Sockets, Stamped & Formed, 24 Position, Standard Connector Profile, Row-to-Row Spacing .6 in [15.24 mm], Vertical, Straight

[View on TE.com >](#)



Connectors > Socket Connectors > IC Sockets > DIP Sockets > DIP Socket: Standard, Stamped & Formed, Open, Gold



Contact Fabrication: **Stamped & Formed**

Number of Positions: **24**

Connector Profile: **Standard**

Row-to-Row Spacing: **15.24 mm [.6 in]**

PCB Mount Orientation: **Vertical**

[All DIP Socket: Standard, Stamped & Formed, Open, Gold \(4\)](#)

Features

Product Type Features

Leg Style	Straight
Connector & Contact Terminates To	Printed Circuit Board
Product Type	Socket

Configuration Features

Number of Positions	24
PCB Mount Orientation	Vertical
Number of Rows	2

Electrical Characteristics

Contact Resistance	10 mΩ
Insulation Resistance	5000 MΩ

Body Features

Sleeve Material	Brass
-----------------	-------



Sleeve Plating Material	Tin
Frame Style	Ladder, Open
Connector Profile	Standard
Color	Black

Contact Features

Socket Style	Standard
Mating Contact Type	Four-Fingered
PCB Contact Termination Area Plating Material	Tin
Contact Base Material	Beryllium Copper
Contact Fabrication	Stamped & Formed
Contact Mating Area Plating Material	Gold
	5 μ m
Contact Current Rating (Max)	3 A
Socket Type	DIP
Contact Type	Pin

Termination Features

Termination Method to Printed Circuit Board	Through Hole - Solder
Termination Post Length	3.18 mm[.125 in]

Mechanical Attachment

PCB Mount Retention	Without
Connector Mounting Type	Board Mount
Mating Alignment Type	Polarization
Mating Alignment	With

Housing Features

Centerline (Pitch)	2.54 mm[.1 in]
Housing Material	Thermoplastic Polyester

Dimensions

Height Above PC Board	2.67 mm[.105 in]
Row-to-Row Spacing	15.24 mm[.6 in]
	1.2 in

Usage Conditions

Operating Temperature Range	-55 – 105 °C[-67 – 221 °F]
-----------------------------	----------------------------



Operation/Application

Circuit Application	Signal
---------------------	--------

Industry Standards

UL Flammability Rating	UL 94V-0
------------------------	----------

Packaging Features

Packaging Method	Box & Tube, Tube
Packaging Quantity	20

Product Compliance

[For compliance documentation, visit the product page on TE.com>](#)

EU RoHS Directive 2011/65/EU	Compliant
EU ELV Directive 2000/53/EC	Compliant
China RoHS 2 Directive MIIT Order No 32, 2016	No Restricted Materials Above Threshold
EU REACH Regulation (EC) No. 1907/2006	Current ECHA Candidate List: JAN 2021 (211) Candidate List Declared Against: JAN 2021 (211) Does not contain REACH SVHC
Halogen Content	Not Low Halogen - contains Br or Cl > 900 ppm.
Solder Process Capability	Wave solder capable to 265°C

Product Compliance Disclaimer

This information is provided based on reasonable inquiry of our suppliers and represents our current actual knowledge based on the information they provided. This information is subject to change. The part numbers that TE has identified as EU RoHS compliant have a maximum concentration of 0.1% by weight in homogenous materials for lead, hexavalent chromium, mercury, PBB, PBDE, DBP, BBP, DEHP, DIBP, and 0.01% for cadmium, or qualify for an exemption to these limits as defined in the Annexes of Directive 2011/65/EU (RoHS2). Finished electrical and electronic equipment products will be CE marked as required by Directive 2011/65/EU. Components may not be CE marked. Additionally, the part numbers that TE has identified as EU ELV compliant have a maximum concentration of 0.1% by weight in homogenous materials for lead, hexavalent chromium, and mercury, and 0.01% for cadmium, or qualify for an exemption to these limits as defined in the Annexes of Directive 2000/53/EC (ELV). Regarding the REACH Regulation, the information TE provides on SVHC in articles for this part number is based on the latest European Chemicals Agency (ECHA) 'Guidance on requirements for substances in articles' posted at this URL: <https://echa.europa.eu/guidance-documents/guidance-on-reach>

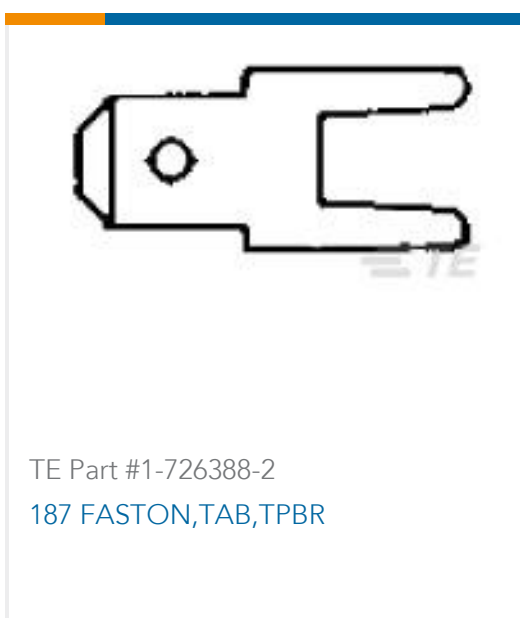
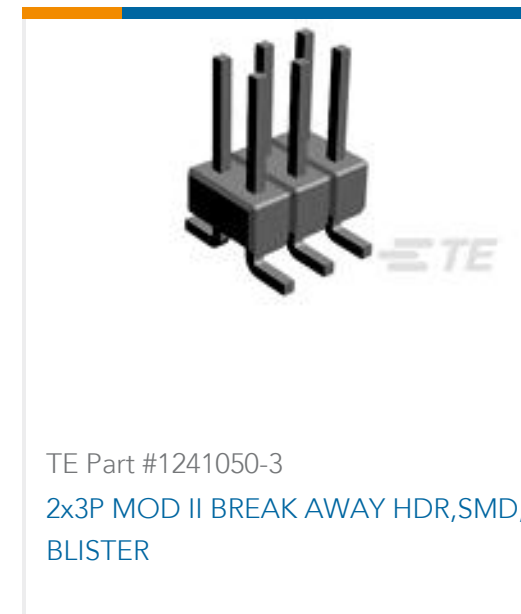
Compatible Parts



Also in the Series | DIPLOMATE 800 Series



Customers Also Bought





Documents

Product Drawings

[824-AG11D-ESL-LF=800 DIP,GF/SN](#)

English

CAD Files

3D PDF

3D

Customer View Model

[ENG_CVM_CVM_2-1571552-8_E.2d_dxf.zip](#)

English

Customer View Model

[ENG_CVM_CVM_2-1571552-8_E.3d_igs.zip](#)

English

Customer View Model

[ENG_CVM_CVM_2-1571552-8_E.3d_stp.zip](#)

English

By downloading the CAD file I accept and agree to the [Terms and Conditions](#) of use.

Datasheets & Catalog Pages

[DIP Sockets Quick Reference Guide \(EN\)](#)

English

Product Environmental Compliance

[MD_2-1571552-8_03292018108_dmtec](#)

English

[MD_2-1571552-8_03292018108_dmtec](#)

English