



Relays, Contactors & Switches > Relays > Time Delay Relays



Type of Control: **Knob**

Time Delay Relay Input Voltage: **96 VDC**

Timing Range (Off-Time): **180 – 1800 seconds**

Time Delay Relay Contact Current Rating: **10A@240VAC A**

Mode of Operation: **Off-Delay**

Features

Product Type Features

Product Type	Relay
Relay Type	Time Delay
Product Category	Electromechanical Relays
Magnetic Blow-Out Device	Without

Configuration Features

Multiple Timing Ranges	Without
------------------------	---------

Electrical Characteristics

Actuating System	DC
Time Delay Relay Input Voltage	96 VDC
Timing Range (Off-Time)	180 – 1800 seconds

Contact Features

Contact Arrangement	2 Form C, DPDT, 2 C/O
Type of Control	Knob
Time Delay Relay Contact Current Rating	10A@240VAC A

Termination Features

Termination Type	Screw Terminals
------------------	-----------------

Mechanical Attachment

--	--



Time Delay Relay Mounting Type

Mounting Bracket

Dimensions

Dimensions (L x W x H) (Approximate)

114.8 x 65.3 x 71.9 mm[4.523 x 2.572 x 2.832 in]

Usage Conditions

Operating Temperature Range

-30 – 75 °C

Operation/Application

Option

Dust-Tight Gasketing

Mode of Operation

Off-Delay

Other

Repeatability (Max)

±10%

Product Compliance

[For compliance documentation, visit the product page on TE.com>](#)

EU RoHS Directive 2011/65/EU

Not Compliant

EU ELV Directive 2000/53/EC

Not Compliant

China RoHS 2 Directive MIIT Order No 32, 2016

Restricted Materials Above Threshold

EU REACH Regulation (EC) No. 1907/2006

Current ECHA Candidate List: JAN 2021 (211)
Candidate List Declared Against: JAN 2021 (211)
Does not contain REACH SVHC

Halogen Content

Not Yet Reviewed for halogen content

Solder Process Capability

Not applicable for solder process capability

Product Compliance Disclaimer

This information is provided based on reasonable inquiry of our suppliers and represents our current actual knowledge based on the information they provided. This information is subject to change. The part numbers that TE has identified as EU RoHS compliant have a maximum concentration of 0.1% by weight in homogenous materials for lead, hexavalent chromium, mercury, PBB, PBDE, DBP, BBP, DEHP, DIBP, and 0.01% for cadmium, or qualify for an exemption to these limits as defined in the Annexes of Directive 2011/65/EU (RoHS2). Finished electrical and electronic equipment products will be CE marked as required by Directive 2011/65/EU. Components may not be CE marked. Additionally, the part numbers that TE has identified as EU ELV compliant have a maximum concentration of 0.1% by weight in homogenous materials for lead, hexavalent chromium, and mercury, and 0.01% for cadmium, or qualify for an exemption to these limits as defined in the Annexes of Directive 2000/53/EC (ELV). Regarding the REACH Regulations, TE's information on SVHC in articles for this part number is still based on the European Chemical Agency (ECHA) 'Guidance on requirements for substances in articles' (Version: 2, April 2011), applying the 0.1% weight on weight concentration threshold at the finished product level. TE is aware of the European Court of Justice ruling of September 10th, 2015 also known as O5A (Once An Article Always An Article) stating that, in case of 'complex object', the threshold for a SVHC must be applied to both the product as a whole and simultaneously to each of the articles forming part of its composition. TE has evaluated this ruling based on the new ECHA "Guidance on requirements for substances in articles" (June 2017, version 4.0) and will be updating its statements accordingly.



Compatible Parts



TE Part # 2-1423162-9
7022BK=RLY,STD,OFF,M2P,240VAC,

Also in the Series | Agastat 7000



Pre-Printed Markers(888)



Time Delay Relays(214)

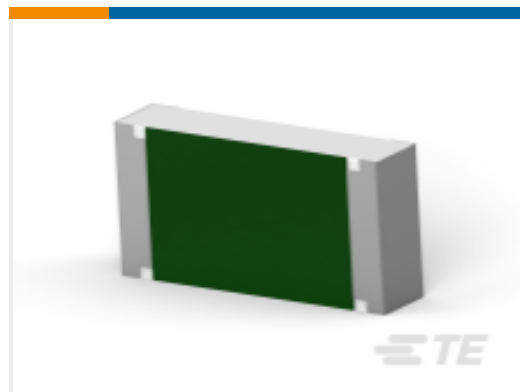
Customers Also Bought



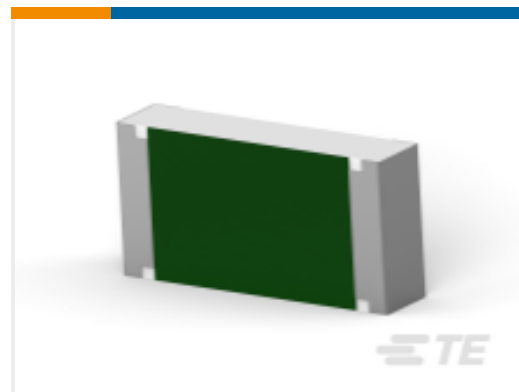
TE Part #35274
PIDG RING TONGUE TERMINALS



TE Part #342117-1
22-16 F.E.P.G. SPADE 4BA STUD



TE Part #9-2176397-8
3502 11K 1%



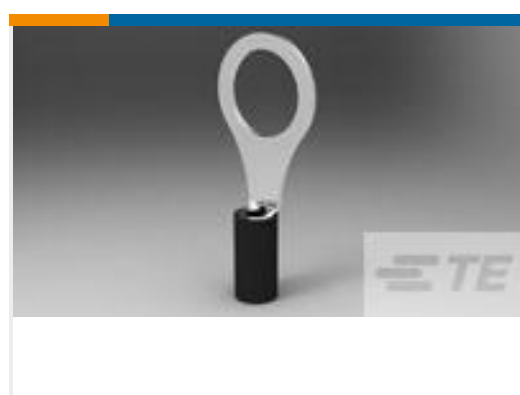
TE Part #2176398-2
3502 15K 1%



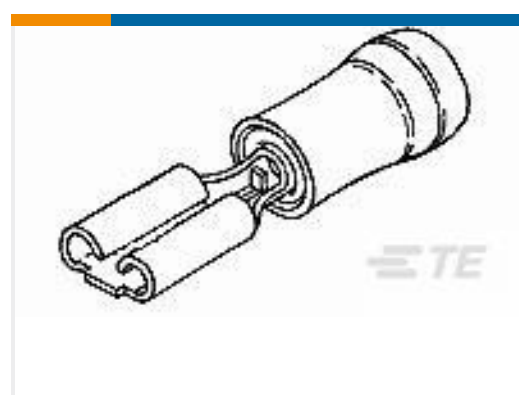
TE Part #EC1253-000
Z-TYPE PUSH-ON MARKERS



TE Part #2-1472973-9
7012WCIM=RLY,STD,ON,2P,96VDC,
15SEC,I2 OP



TE Part #342066
16-14 H.D.R/T 1/2" STUD BLACK



TE Part #165565-6
110 PIDG FASTON REC



TE Part #5-1437488-0
7012X16CLL=21VDC 1.5-15 SEC,LL



TE Part #7-1472969-6
7022MCI=RLY,STD,OFF,2P,28V,15S,I
OPT

Documents

Product Drawings

[7022WHM=RLY,STD,2P,OFF,96V,30M,M](#)

English

Datasheets & Catalog Pages

[5-1773450-5_sec12_7000](#)

English