

2-1825136-6 ✓ ACTIVE

[Alcoswitch](#) | [Alcoswitch Gemini A](#)

TE Internal #: 2-1825136-6

Alcoswitch Gemini A, Toggle Switches, Single Pole - Double Throw Configuration (Pole-Throw), 1/4-40 UNS-2A, Sealed Toggle Switch, Copper, Gold

[View on TE.com >](#)



Relays, Contactors & Switches > Switches > Toggle Switches



Configuration (Pole-Throw): **Single Pole - Double Throw**

Bushing Thread Size: **1/4-40 UNS-2A**

Sealed Toggle Switch: **Yes**

Contact Base Material: **Copper**

Switch Contact Plating Material: **Gold**

Features

Product Type Features

Product Type	Switch
Sealed Toggle Switch	Yes
Toggle Style	Flat
Toggle Switch Type	Toggle
Toggle Actuation	Vertical

Configuration Features

Configuration (Pole-Throw)	Single Pole - Double Throw
Operating Function	On On

Electrical Characteristics

Dielectric Strength	1000 VAC
Insulation Resistance	1000 MΩ
Contact Resistance	10 mΩ
Toggle Switch Voltage Rating	20 V

Body Features

Actuator Finish	Nickel
Bushing Thread Size	1/4-40 UNS-2A
Toggle Switch Seal Type	Terminal Seal (Epoxy)
Bushing Style	Threaded



Contact Features

Contact Base Material	Copper
Switch Contact Plating Material	Gold
Toggle Switch Contact Current Rating	.4 A

Termination Features

Termination Type	Printed Circuit
------------------	-----------------

Mechanical Attachment

Toggle Switch Mounting Type	Through Hole
-----------------------------	--------------

Housing Features

Process Sealed	No
----------------	----

Dimensions

Toggle Length	11.43 mm[.45 in]
---------------	------------------

Industry Standards

UL Flammability Rating	UL 94V-1
------------------------	----------

Product Compliance

[For compliance documentation, visit the product page on TE.com>](#)

EU RoHS Directive 2011/65/EU	Not Yet Reviewed
EU ELV Directive 2000/53/EC	Compliant with Exemptions
China RoHS 2 Directive MIIT Order No 32, 2016	Restricted Materials Above Threshold
EU REACH Regulation (EC) No. 1907/2006	Current ECHA Candidate List: JAN 2021 (211) Candidate List Declared Against: JAN 2018 (181) SVHC > Threshold: Not Yet Reviewed
Halogen Content	Not Low Halogen - contains Br or Cl > 900 ppm.
Solder Process Capability	Wave solder capable to 265°C

Product Compliance Disclaimer

This information is provided based on reasonable inquiry of our suppliers and represents our current actual knowledge based on the information they provided. This information is subject to change. The part numbers that TE has identified as EU RoHS compliant have a maximum concentration of 0.1% by weight in homogenous materials for lead, hexavalent chromium, mercury, PBB, PBDE, DBP, BBP, DEHP, DIBP, and 0.01% for cadmium, or qualify for an exemption to these limits as defined in the Annexes of Directive 2011/65/EU (RoHS2). Finished electrical and electronic equipment products will be CE marked as required by Directive 2011/65/EU. Components may not be CE marked. Additionally, the part numbers that TE has identified as EU ELV compliant have a maximum concentration of 0.1% by weight in homogenous

materials for lead, hexavalent chromium, and mercury, and 0.01% for cadmium, or qualify for an exemption to these limits as defined in the Annexes of Directive 2000/53/EC (ELV). Regarding the REACH Regulation, the information TE provides on SVHC in articles for this part number is based on the latest European Chemicals Agency (ECHA) 'Guidance on requirements for substances in articles' posted at this URL: <https://echa.europa.eu/guidance-documents/guidance-on-reach>

Compatible Parts



TE Part # 4-1825136-5
A101SYCQ04



TE Part # 1825136-7
A101KZQ04



TE Part # 4-1825136-9
A101SYZQ04




TE Part # 5-1825136-9
A108P3ZQ04



TE Part # 4-1825136-3
A101SYAQ04

Also in the Series | Alcoswitch Gemini A



Toggle Switches(97)


Customers Also Bought



TE Part #1558676-6
PCB Power Relay: 30 amp, Monostable DC



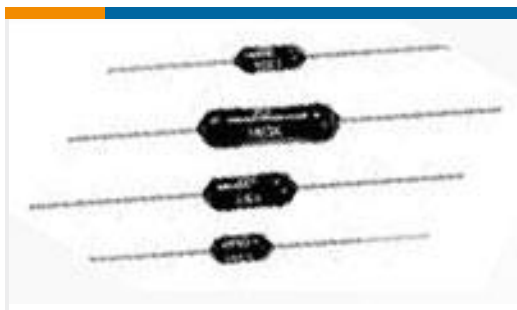
TE Part #2-1676913-7
YR1 0.1% 1M0



TE Part #1-282858-2
12P. TERMI-BLOK PCB MOUNT 90



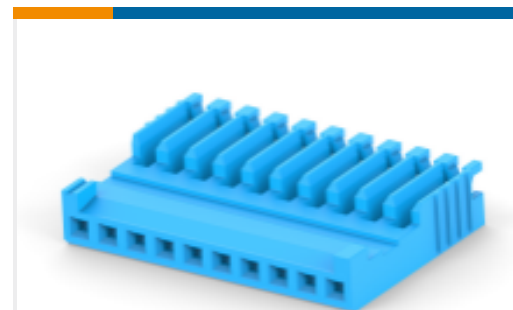
TE Part #T1349160120-000
H16A-TGH-M20



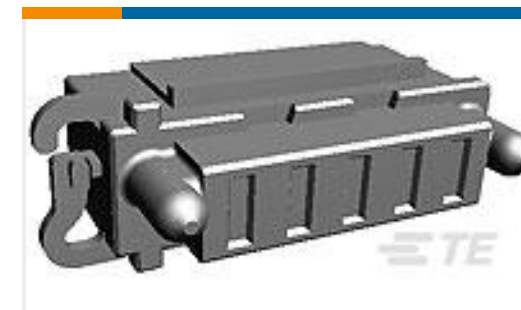
TE Part #2-1879666-7
H8 249K 0.1% 15PPM



TE Part #1676915-9
YR1 0.1% 750K



TE Part #1-281786-2
HE13/HE14 IDC Receptacle, SRST,
AWG24-2



TE Part #1-292499-4
SLIDE LOCK PANEL MT CBL HSG
5HDP



TE Part #2-1649329-2
RTE44012



TE Part #1-2364686-5
AVH22 FLT SS MT RNG GRN 24V16A

Documents

Product Drawings

[A101P3CB04](#)

English

Datasheets & Catalog Pages

[SWITCHES_CORE_PROGRAM_CATALOG](#)

English

[GEMINI_SERIES_SWITCHES_QUICK_REF_GUIDE_2-1773458-5](#)

English