



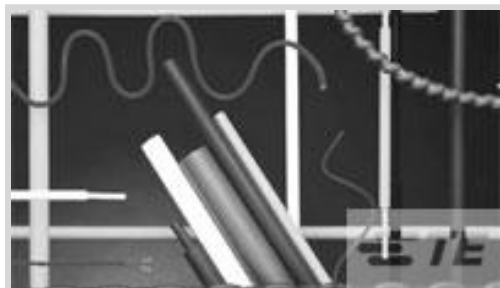
Raychem | Raychem CGPT

TE Internal #: 2187834001

Raychem CGPT, Heat Shrink Tubing, Clear, Single Wall Type, 39 Expanded Inside Diameter (Min) 1.54 Expanded Inside Diameter (Min)

[View on TE.com >](#)

Heat Shrink Tubing > Single Wall CGPT Spool Heat Shrink Tubin



Primary Product Color: **Clear**

Wall Type: **Single**

Expanded Inside Diameter (Min): **39 mm [1.54 in]**

Recovered Inside Diameter (Max): **13 mm [.512 in]**

Shrink Ratio: **3:1**

[All Single Wall CGPT Spool Heat Shrink Tubin \(186\)](#)

Features

Product Type Features

Product Family	CGPT
Wall Type	Single

Electrical Characteristics

Voltage (Max)	.6 kV
---------------	-------

Body Features

Fluid Type	Gasoline, Hydraulic Fluid, Lubricating Oil
Primary Product Color	Clear
Shrink Ratio	3:1
Primary Product Material	Irradiated Modified Polyolefin
Flexibility	Flexible

Dimensions

Recovered Wall Thickness (Tolerance)	.25 mm[.01 in]
Recovered Wall Thickness (Nominal)	1.15 mm[.045 in]
Expanded Inside Diameter (Min)	39 mm[1.54 in]
Recovered Inside Diameter (Max)	13 mm[.512 in]
Heat Shrink Tubing Size Range	13 – 39 mm[.512 – 1.54 in]



Usage Conditions

Fluid Resistance	Splash Protection
Shrink Temperature (Min)	80 °C
Heat Shrink Tubing Flammability	Non-Flame-Retardant
Operating Temperature Range	-40 – 135 °C
Heat Shrink Tubing Resistance	Fluids, Mechanical Damage, Strain
Recovery Temperature	120 °C

Product Availability

Applicable Region	Asia, EMEA
-------------------	------------

Packaging Features

Packaging Method	Box
------------------	-----

Other

Meets Low Outgassing Requirements	No
Product Source	Czech Republic

Product Compliance

[For compliance documentation, visit the product page on TE.com>](#)

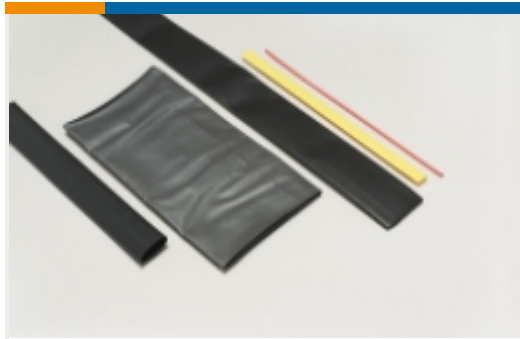
EU RoHS Directive 2011/65/EU	Compliant
EU ELV Directive 2000/53/EC	Compliant
China RoHS 2 Directive MIIT Order No 32, 2016	No Restricted Materials Above Threshold
EU REACH Regulation (EC) No. 1907/2006	Current ECHA Candidate List: JAN 2021 (211) Candidate List Declared Against: JAN 2021 (211) Does not contain REACH SVHC
Halogen Content	BFR/CFR/PVC Free, but Br/Cl >900 ppm in other sources.
Solder Process Capability	Not applicable for solder process capability

Product Compliance Disclaimer

This information is provided based on reasonable inquiry of our suppliers and represents our current actual knowledge based on the information they provided. This information is subject to change. The part numbers that TE has identified as EU RoHS compliant have a maximum concentration of 0.1% by weight in homogenous materials for lead, hexavalent chromium, mercury, PBB, PBDE, DBP, BBP, DEHP, DIBP, and 0.01% for cadmium, or qualify for an exemption to these limits as defined in the Annexes of Directive 2011/65/EU (RoHS2). Finished electrical and electronic equipment products will be CE marked as required by Directive 2011/65/EU. Components may not be CE marked. Additionally, the part numbers that TE has identified as EU ELV compliant have a maximum concentration of 0.1% by weight in homogenous materials for lead, hexavalent chromium, and mercury, and 0.01% for cadmium, or qualify for an exemption to these limits as defined in the Annexes of Directive 2000/53/EC (ELV). Regarding the REACH Regulation, the information TE provides

on SVHC in articles for this part number is based on the latest European Chemicals Agency (ECHA) 'Guidance on requirements for substances in articles' posted at this URL: <https://echa.europa.eu/guidance-documents/guidance-on-reach>

Also in the Series | Raychem CGPT

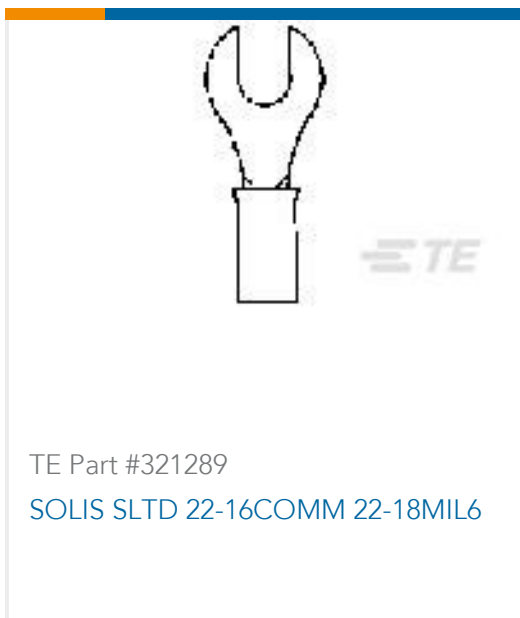


Heat Shrink Tubing(316)



Power Cable Tubing & Accessories(93)

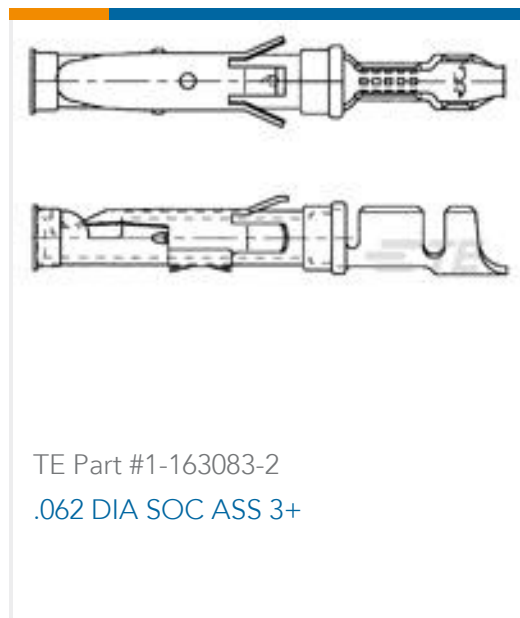
Customers Also Bought



TE Part #321289
SOLIS SLTD 22-16COMM 22-18MIL6



TE Part #3944634001
Single Wall CGPT Spool Heat Shrink Tubin



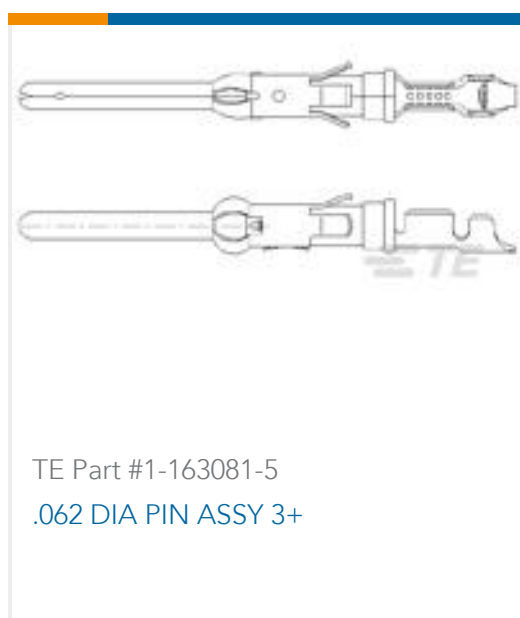
TE Part #1-163083-2
.062 DIA SOC ASS 3+



TE Part #3761733001
44A0121-26-4/5



TE Part #3675093001
99M0111-16-5



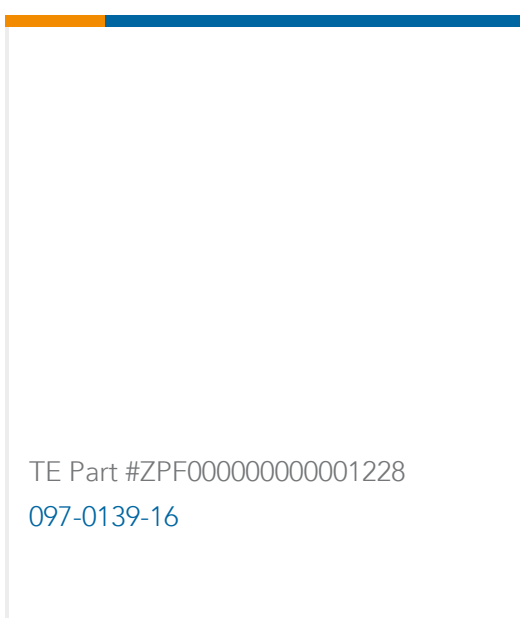
TE Part #1-163081-5
.062 DIA PIN ASSY 3+



TE Part #2164483003
55A0114-22-8



TE Part #1366094002
NETM1000-10-0-SP



TE Part #ZPF0000000000001228
097-0139-16



TE Part #1-1102122-2
HA.10.AGD-LB

Documents

[Product Drawings](#)
[CGPT-39/13-X-SP](#)

English



Datasheets & Catalog Pages

[Application Tooling for Raychem Heat Shrink Product](#)

English

[CGPT Pages from 9-1773447-9](#)

English

Product Specifications

[Quality Specification](#)

English