



AMP

TE Internal #: 2280380-2

Portable Crimp Tools, Commercial Crimp Tooling, Removable /Interchangeable, Battery (220v), Base Power Unit (No Crimp Tooling)

[View on TE.com >](#)

Application Tooling > Portable Crimp Tools



Tool Grade: **Commercial Crimp Tooling**

Die Sets Type: **Removable/Interchangeable**

Power Technology Type: **Battery (220v)**

Tooling Type: **Base Power Unit (No Crimp Tooling)**

**Features**

**Other**

Tool Grade	Commercial Crimp Tooling
Die Sets Type	Removable/Interchangeable
Power Technology Type	Battery (220v)
Tooling Type	Base Power Unit (No Crimp Tooling)

**Product Compliance**

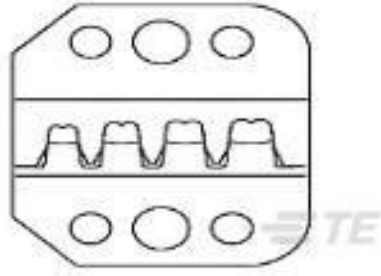
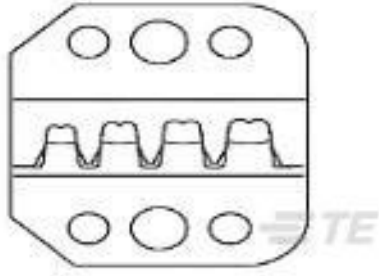

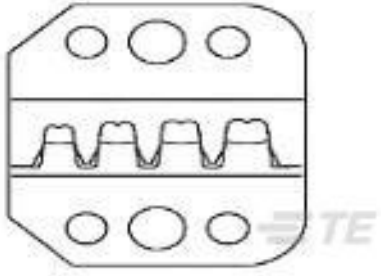

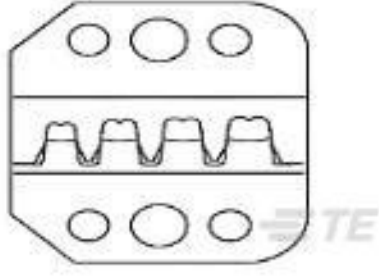
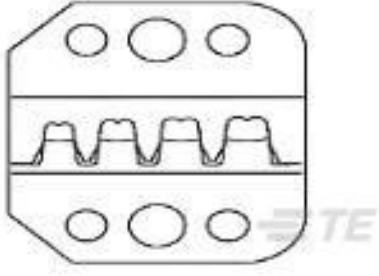
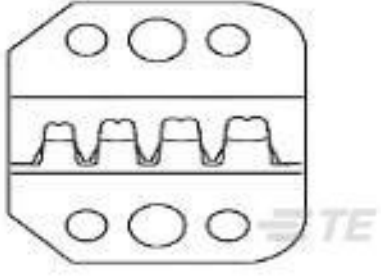

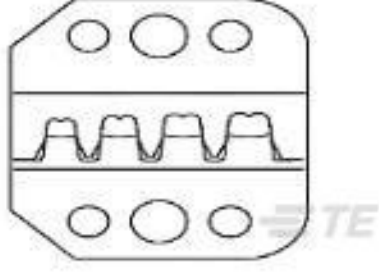
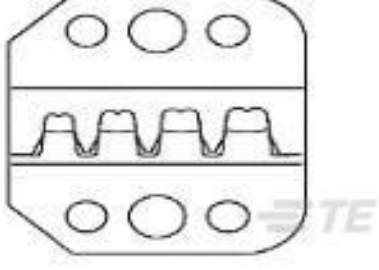
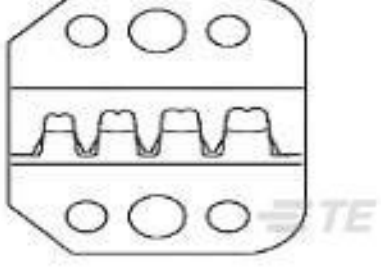
[For compliance documentation, visit the product page on TE.com>](#)

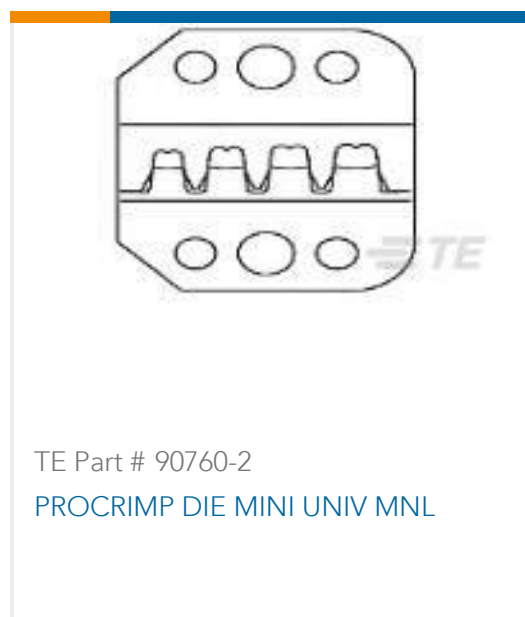
EU RoHS Directive 2011/65/EU	Out of Scope
EU ELV Directive 2000/53/EC	Out of Scope
China RoHS 2 Directive MIIT Order No 32, 2016	No Restricted Materials Above Threshold
EU REACH Regulation (EC) No. 1907/2006	Current ECHA Candidate List: JAN 2021 (211) Candidate List Declared Against: JUN 2016 (169) SVHC > Threshold: Not Yet Reviewed
Halogen Content	Not Yet Reviewed for halogen content
Solder Process Capability	Not applicable for solder process capability

Product Compliance Disclaimer

This information is provided based on reasonable inquiry of our suppliers and represents our current actual knowledge based on the information they provided. This information is subject to change. The part numbers that TE has identified as EU RoHS compliant have a maximum concentration of 0.1% by weight in homogenous materials for lead, hexavalent chromium, mercury, PBB, PBDE, DBP, BBP, DEHP, DIBP, and 0.01% for cadmium, or qualify for an exemption to these limits as defined in the Annexes of Directive 2011/65/EU (RoHS2). Finished electrical and electronic equipment products will be CE marked as required by Directive 2011/65/EU. Components may not be CE marked. Additionally, the part numbers that TE has identified as EU ELV compliant have a maximum concentration of 0.1% by weight in homogenous materials for lead, hexavalent chromium, and mercury, and 0.01% for cadmium, or qualify for an exemption to these limits as defined in the Annexes of Directive 2000/53/EC (ELV). Regarding the REACH Regulations, TE's information on SVHC in articles for this part number is still based on the European Chemical Agency (ECHA) 'Guidance on requirements for substances in articles' (Version: 2, April 2011), applying the 0.1% weight on weight concentration threshold at the finished product level. TE is aware of the European Court of Justice ruling of September 10th, 2015 also known as O5A (Once An Article Always An Article) stating that, in case of 'complex object', the threshold for a SVHC must be applied to both the product as a whole and simultaneously to each of the articles forming part of its composition. TE has evaluated this ruling based on the new ECHA "Guidance on requirements for substances in articles" (June 2017, version 4.0) and will be updating its statements accordingly.

## Compatible Parts

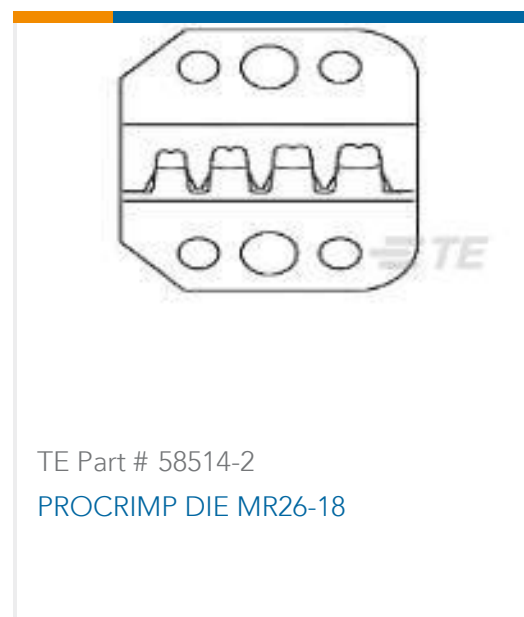
 <p>TE Part # 58628-2 PROCIMP DIESET 26-14 ULTRAFast</p>	 <p>TE Part # 58448-3 PRO-CRIMPER DIE</p>	 <p>TE Part # 58495-2 PROCIMP DIE ASSY MULTIMATE</p>	 <p>TE Part # 90548-2 PROCIMP DIE ASSY UNIV MNL</p>
 <p>TE Part # 58545-1 SOLISTRAND 10-22 DIE ASSY</p>	 <p>TE Part # 90547-2 PROCIMP DIE ASSY UNIV MNL</p>	 <p>TE Part # 90758-2 PROCIMP DIE MINI UNIV MNL</p>	 <p>TE Part # 90546-2 PROCIMP DIE ASSY UNIV MNL</p>
 <p>TE Part # 58583-2 PROCIMP DIE SUPERSEAL 1.5 SER</p>	 <p>TE Part # 90759-2 PROCIMP DIE MINI UNIV MNL</p>	 <p>TE Part # 90800-2 DIE ASSEMBLY</p>	 <p>TE Part # 58529-2 PROCIMP DIE AMPSEAL</p>



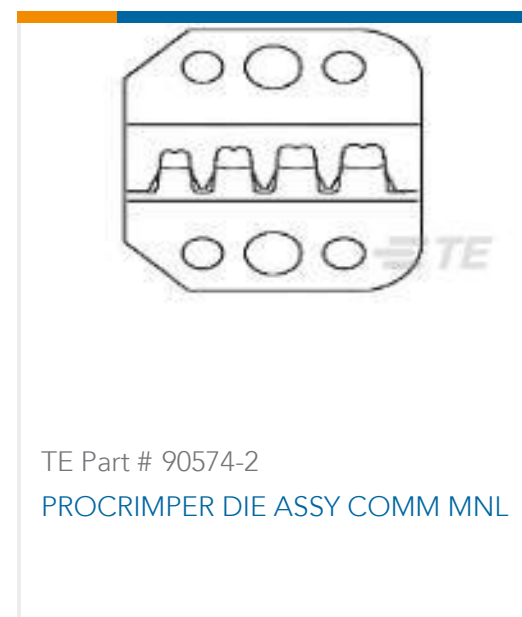
TE Part # 90760-2  
PROCRIMP DIE MINI UNIV MNL



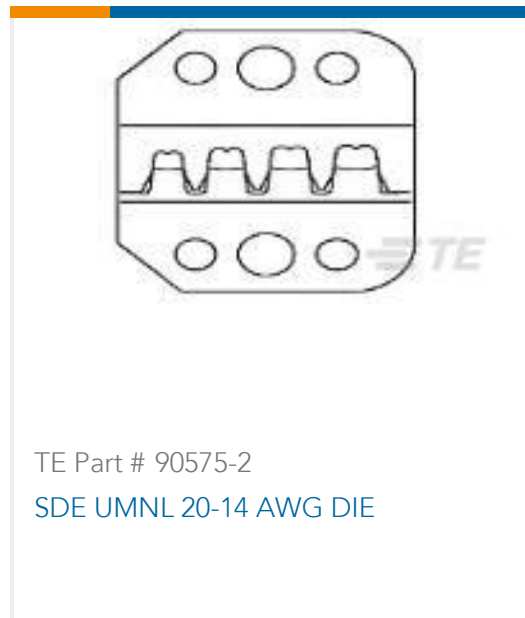
TE Part # 90684-2  
PROCRIMPER DIE ASSY DYNAMIC



TE Part # 58514-2  
PROCRIMP DIE MR26-18



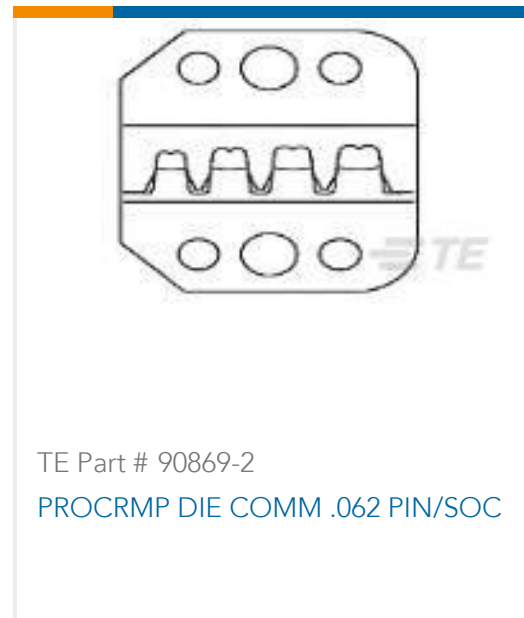
TE Part # 90574-2  
PROCRIMPER DIE ASSY COMM MNL



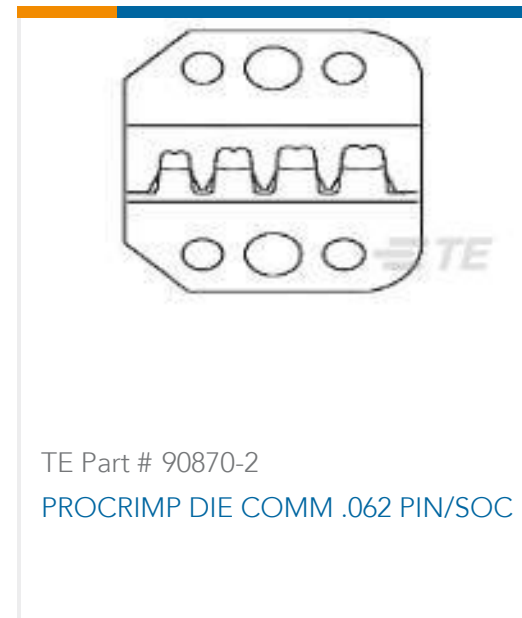
TE Part # 90575-2  
SDE UMNL 20-14 AWG DIE



TE Part # 90683-2  
PROCRIMPER DIE ASSY DYNAMIC



TE Part # 90869-2  
PROCRIMP DIE COMM .062 PIN/SOC



TE Part # 90870-2  
PROCRIMP DIE COMM .062 PIN/SOC

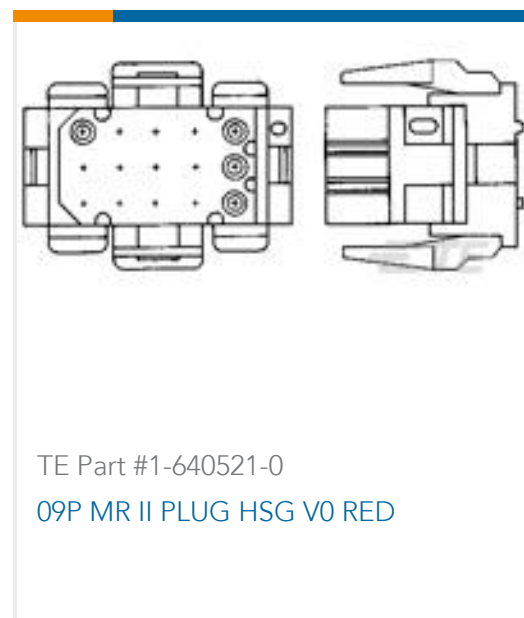
### Customers Also Bought



TE Part #175289-3  
DYNAMIC 3000 CONTACT



TE Part #1534807-1  
HD20 COVER KIT 15P



TE Part #1-640521-0  
09P MR II PLUG HSG V0 RED



TE Part #2-2176337-2  
CRGCO 0402 560R 1%



TE Part #HPP845E031R4  
HTU21D Digital High Accuracy RH/T Sensor



TE Part #140635  
RING TONGUE .157 (4.0 MM) TERMINAL BR



TE Part #1-829487-0  
10P AMP MODUII BREAK AWAY HDR, SINGLE ROW



TE Part #1241850-3  
3P HV100 REC.CON.TE,7.0,TIN,NO KINK



TE Part #2150224-2  
OCEAN-2.0-APPLICATOR-E-110F140OVA



TE Part #1719273-3  
COVER REC ,HSG ,180?

### Documents



**Datasheets & Catalog Pages**

**MICRO SDE DATA SHEET**

English

**Crimp Term Whitepaper-Use the Right Tool 1-1773953-1**

English

**Bottoming Dies**

English

**CRIMPING WHERE FORM MEETS FUNCTION**

English

---

**Product Environmental Compliance**

**Safety Datasheet**

German

**Safety Datasheet**

English

---

**Instruction Sheets**

**Micro SDE (Standard Die Envelope) Lithium-Ion Battery-Powered Crimp Tool Kits 2280380-[ ]**

German

**Micro SDE (Standard Die Envelope) Lithium-Ion Battery-Powered Crimp Tool Kits 2280380-[ ]**

English

**Micro SDE (Standard Die Envelope) Lithium-Ion Battery-Powered Crimping Tool Kits 2280380-[ ]**

**Micro SDE (Standard Die Envelope) Lithium-Ion Battery-Powered Crimping Tool Kits 2280380-[ ]**

French

**Micro SDE (Standard Die Envelope) Lithium-Ion Battery-Powered Crimping Tool Kits 2280380-[ ]**

**Micro SDE (Standard Die Envelope) Lithium-Ion Battery-Powered Crimping Tool Kits 2280380-[ ]**

**Micro SDE (Standard Die Envelope) Lithium-Ion Battery-Powered Crimp Tool Kits 2280380-[ ]**

---

**Agency Approvals**

**CE Declaration of Conformity**

German

**CE Declaration of Conformity**

English

**CE Declaration of Conformity**

**CE Declaration of Conformity**

French

**CE Declaration of Conformity**

**CE Declaration of Conformity**

**CE Declaration of Conformity**