

AV1910DG12Q04 ✓ ACTIVE

Alcoswitch | Alcoswitch AV19

TE Internal #: 2316542-5

Alcoswitch AV19, Push Button Switches, Single Pole - Single Throw Configuration (Pole-Throw), Switch, Single Actuator, Flush Actuator Profile

[View on TE.com >](#)



Relays, Contactors & Switches > Switches > Push Button Switches



Configuration (Pole-Throw): **Single Pole - Single Throw**

Push Button Switch Product Type: **Switch**

Number of Actuators: **Single**

Actuator Profile: **Flush**

Bushing Style: **Threaded**

Features

Product Type Features

| | |
|---------------------------------|------------|
| Switch Type | Pushbutton |
| Dust Proof | Yes |
| Push Button Switch Product Type | Switch |
| Illuminated | Yes |
| Actuator Style | Round |

Configuration Features

| | |
|----------------------------|----------------------------|
| ESD Grounding Terminal | Without |
| Detent Style | Audible |
| Configuration (Pole-Throw) | Single Pole - Single Throw |
| Number of Actuators | Single |
| Snap Action | Without |
| Support Bracket | Without |
| Tactile | No |
| Operating Function | Momentary |

Electrical Characteristics

| | |
|-----------------------------------|---------|
| Push Button Switch Voltage Rating | 250 VAC |
|-----------------------------------|---------|

Body Features



| | |
|------------------|----------|
| Case Material | PBT |
| Actuator Profile | Flush |
| Bushing Style | Threaded |

Contact Features

| | |
|---|--------|
| Contact Base Material | Copper |
| Push Button Switch Contact Current Rating | 3 A |
| Switch Contact Plating Material | Silver |

Termination Features

| | |
|------------------|-----------|
| Termination Type | Wire Lugs |
|------------------|-----------|

Mechanical Attachment

| | |
|----------------------------------|----------|
| Mounting Angle | Vertical |
| Push Button Switch Mounting Type | Panel |

Housing Features

| | |
|----------------|-----|
| Process Sealed | Yes |
|----------------|-----|

Industry Standards

| | |
|-----------|------|
| IP Rating | IP67 |
|-----------|------|

Product Compliance

[For compliance documentation, visit the product page on TE.com>](#)

| | |
|---|--|
| EU RoHS Directive 2011/65/EU | Compliant with Exemptions |
| EU ELV Directive 2000/53/EC | Compliant with Exemptions |
| China RoHS 2 Directive MIIT Order No 32, 2016 | Restricted Materials Above Threshold |
| EU REACH Regulation (EC) No. 1907/2006 | Current ECHA Candidate List: JAN 2021 (211) Candidate List Declared Against: JAN 2021 (211) SVHC > Threshold: Pb (3.7% in Component Part) Article Safe Usage Statements: Do not eat, drink or smoke when using this product. Wash thoroughly after handling. Recycle if possible and dispose of the article by following all applicable governmental regulations relevant to your geographic location. |
| Halogen Content | Low Halogen - Br, Cl, F, I < 900 ppm per homogenous material. Also BFR/CFR/PVC Free |
| Solder Process Capability | Not reviewed for solder process capability |

Product Compliance Disclaimer



This information is provided based on reasonable inquiry of our suppliers and represents our current actual knowledge based on the information they provided. This information is subject to change. The part numbers that TE has identified as EU RoHS compliant have a maximum concentration of 0.1% by weight in homogenous materials for lead, hexavalent chromium, mercury, PBB, PBDE, DBP, BBP, DEHP, DIBP, and 0.01% for cadmium, or qualify for an exemption to these limits as defined in the Annexes of Directive 2011/65/EU (RoHS2). Finished electrical and electronic equipment products will be CE marked as required by Directive 2011/65/EU. Components may not be CE marked. Additionally, the part numbers that TE has identified as EU ELV compliant have a maximum concentration of 0.1% by weight in homogenous materials for lead, hexavalent chromium, and mercury, and 0.01% for cadmium, or qualify for an exemption to these limits as defined in the Annexes of Directive 2000/53/EC (ELV). Regarding the REACH Regulation, the information TE provides on SVHC in articles for this part number is based on the latest European Chemicals Agency (ECHA) 'Guidance on requirements for substances in articles' posted at this URL: <https://echa.europa.eu/guidance-documents/guidance-on-reach>

Compatible Parts



TE Part # 2213763-1
AV19 SPM 5A NO LED



TE Part # 3-2213766-7
AV19 SPL 5A POWER LED BLUE 12V



TE Part # 2213763-5
AV19 DPM 5A NO LED




TE Part # 2213763-7
AV19 DPL 5A NO LED



TE Part # 2213767-3
AV19 SPM 5A MOVE RING LED
WHITE 24V

Also in the Series | Alcoswitch AV19

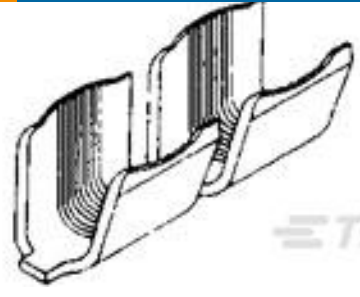


Push Button Switches(472)

Customers Also Bought





TE Part #K1158023
Protective Cover, Push Button Switch, Round Style



TE Part #42779-1
SPLICE AMPLIVAR 3000-7000



TE Part #2205066-1
CA MICRO-MATCH MOW-MOW 16POS



TE Part #2329388-2
PB OFF/ON FC BLK M1 TERM RED LED IP68 50




TE Part #6-1879221-2
CPF 0603 6R49 0.1% 25PPM 1K RL



TE Part #5-1879221-6
CPF 0603 5R62 0.1% 25PPM 1K RL




TE Part #5-103542-3
08 MODII HDR DRST UNSHRD A/PIN



TE Part #K1152994
Emergency Stop Switch, 1 Actuator, Flush, Threaded Bushing



TE Part #BSA896F0985202A000
917 PLUG



TE Part #YDTS33F21RV0010000
DTS CAP ASSY, NICKEL, SIZE 21 RCPT

Documents

Product Drawings

[AV19 SPM 3A SPOT LOGO R&Y 12V](#)

English

CAD Files

[3D PDF](#)

3D

Customer View Model

[ENG_CVM_CVM_2316542-5_A.2d_dxf.zip](#)

English

Customer View Model

[ENG_CVM_CVM_2316542-5_A.3d_igs.zip](#)

English

Customer View Model

[ENG_CVM_CVM_2316542-5_A.3d_stp.zip](#)

English

By downloading the CAD file I accept and agree to the [Terms and Conditions](#) of use.

Agency Approvals



[UL Report](#)

English