

# EDSP02SGLNNTU04 ✓ ACTIVE

Alcoswitch | Alcoswitch DIP EDSP

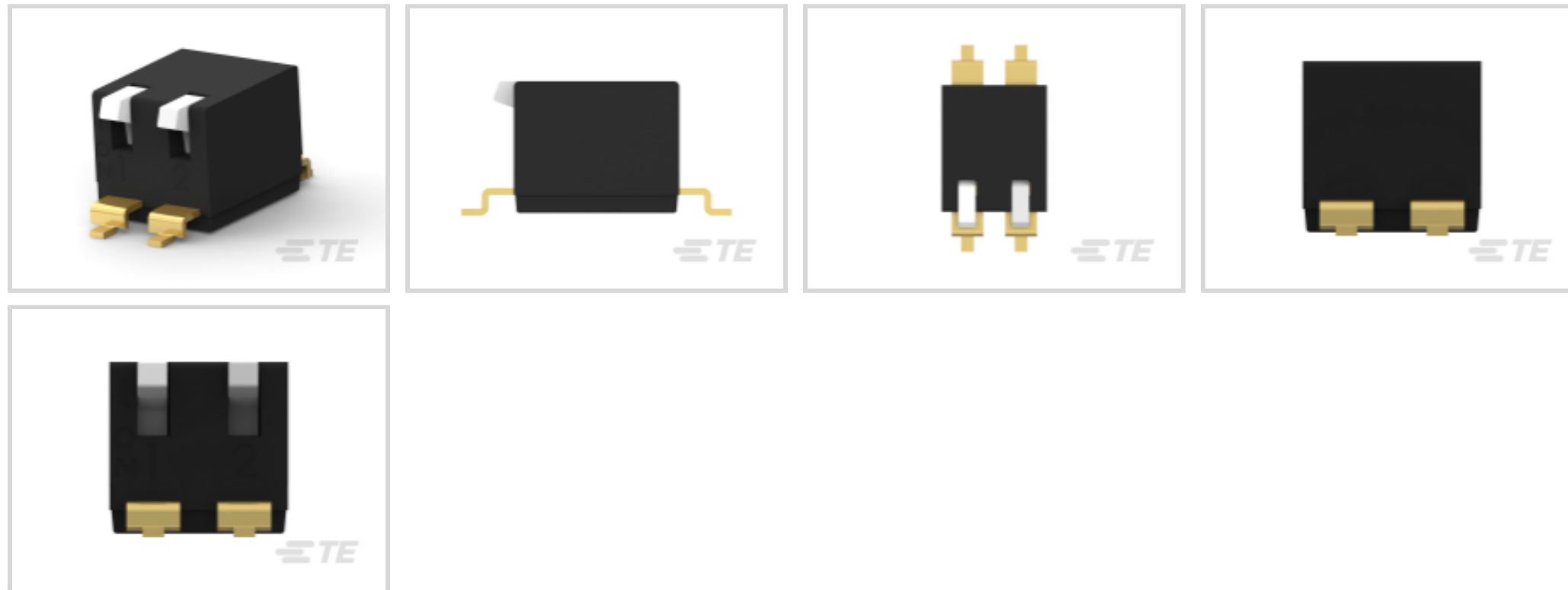
TE Internal #: 2319764-1

Alcoswitch DIP EDSP, DIP & SIP Switches, Switch, Gold Flash, Black  
DIP & SIP Switch Housing Color, High Temperature Nylon, 2 Switch

[View on TE.com >](#)



Relays, Contactors & Switches > Switches > DIP & SIP Switches



DIP & SIP Switch Product Type: **Switch**

DIP & SIP Switch Contact Mating Area Plating Material: **Gold Flash**

DIP & SIP Switch Housing Color: **Black**

DIP & SIP Switch Housing Material: **High Temperature Nylon**

Sealed DIP & SIP Switch: **No**

## Features

### Product Type Features

DIP & SIP Switch Product Type	Switch
Sealed DIP & SIP Switch	No
DIP & SIP Switch Type	DIP Switch
Actuator Style	Piano (Side Actuated)

### Configuration Features

Number of Positions	2
Number of Switches	2
Configuration (Pole-Throw)	Single Pole - Single Throw

### Electrical Characteristics

DIP & SIP Switch Voltage Rating	24 VDC
---------------------------------	--------

### Body Features

Actuator Color	White
----------------	-------

### Contact Features

Solder Tail Contact Plating	Gold Flash over Nickel
-----------------------------	------------------------



Shunt Type	DIP
------------	-----

DIP & SIP Switch Contact Mating Area Plating Material	Gold Flash
---	------------

DIP & SIP Switch Contact Current Rating	.025 A
---	--------

Contact Base Material	Copper Alloy
-----------------------	--------------

### Mechanical Attachment

Mounting Angle	Vertical
----------------	----------

DIP & SIP Switch Mounting Type	Surface Mount
--------------------------------	---------------

### Housing Features

DIP & SIP Switch Housing Color	Black
--------------------------------	-------

DIP & SIP Switch Housing Material	High Temperature Nylon
-----------------------------------	------------------------

DIP & SIP Switch Centerline	2.54 mm[.1 in]
-----------------------------	----------------

### Dimensions

Length	4.98 mm[.196 in]
--------	------------------

Height	5 mm[.197 in]
--------	---------------

### Usage Conditions

Operating Temperature Range	-20 – 85 °C
-----------------------------	-------------

### Packaging Features

Packaging Method	Tube
------------------	------

Packaging Quantity	95
--------------------	----

### Product Compliance

[For compliance documentation, visit the product page on TE.com>](#)

EU RoHS Directive 2011/65/EU	Compliant
------------------------------	-----------

EU ELV Directive 2000/53/EC	Not Yet Reviewed
-----------------------------	------------------

China RoHS 2 Directive MIIT Order No 32, 2016	No Restricted Materials Above Threshold
---	---

EU REACH Regulation (EC) No. 1907/2006	Current ECHA Candidate List: JAN 2021 (211) Candidate List Declared Against: JUL 2019 (201) SVHC > Threshold: Not Yet Reviewed
--	---

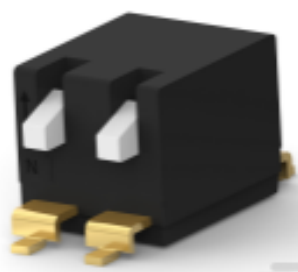
Halogen Content	Not Yet Reviewed for halogen content
-----------------	--------------------------------------

Solder Process Capability	Not reviewed for solder process capability
---------------------------	--

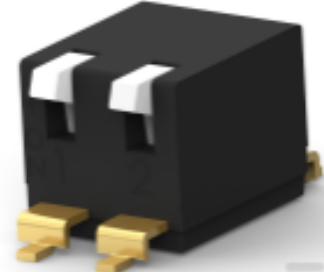
## Product Compliance Disclaimer

This information is provided based on reasonable inquiry of our suppliers and represents our current actual knowledge based on the information they provided. This information is subject to change. The part numbers that TE has identified as EU RoHS compliant have a maximum concentration of 0.1% by weight in homogenous materials for lead, hexavalent chromium, mercury, PBB, PBDE, DBP, BBP, DEHP, DIBP, and 0.01% for cadmium, or qualify for an exemption to these limits as defined in the Annexes of Directive 2011/65/EU (RoHS2). Finished electrical and electronic equipment products will be CE marked as required by Directive 2011/65/EU. Components may not be CE marked. Additionally, the part numbers that TE has identified as EU ELV compliant have a maximum concentration of 0.1% by weight in homogenous materials for lead, hexavalent chromium, and mercury, and 0.01% for cadmium, or qualify for an exemption to these limits as defined in the Annexes of Directive 2000/53/EC (ELV). Regarding the REACH Regulation, the information TE provides on SVHC in articles for this part number is based on the latest European Chemicals Agency (ECHA) 'Guidance on requirements for substances in articles' posted at this URL: <https://echa.europa.eu/guidance-documents/guidance-on-reach>

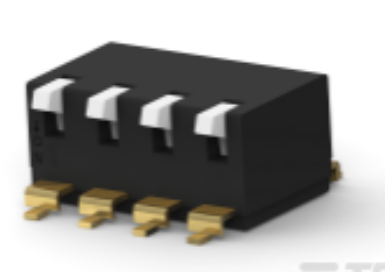
## Compatible Parts



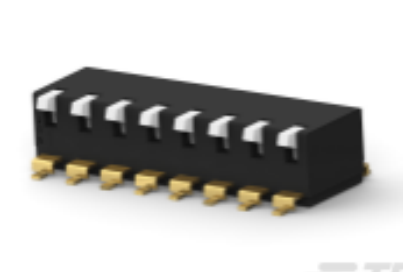
TE Part # 4-2319764-1  
E STACK PIANO 2P G LONG T&R PD  
OFF



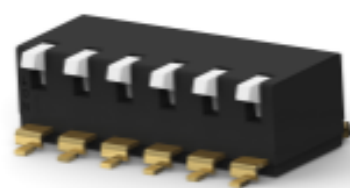
TE Part # 3-2319764-1  
E STACK PIANO 2P G LONG T&R PD  
ON



TE Part # 2319764-2  
E STACK PIANO 4P G LONG TUBE  
PD ON

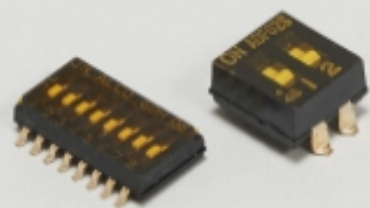


TE Part # 2319764-4  
E STACK PIANO 8P G LONG TUBE  
PD ON



TE Part # 3-2319764-3  
E STACK PIANO 6P G LONG T&R PD  
ON

## Also in the Series | Alcoswitch DIP EDSP



DIP & SIP Switches(60)

## Customers Also Bought



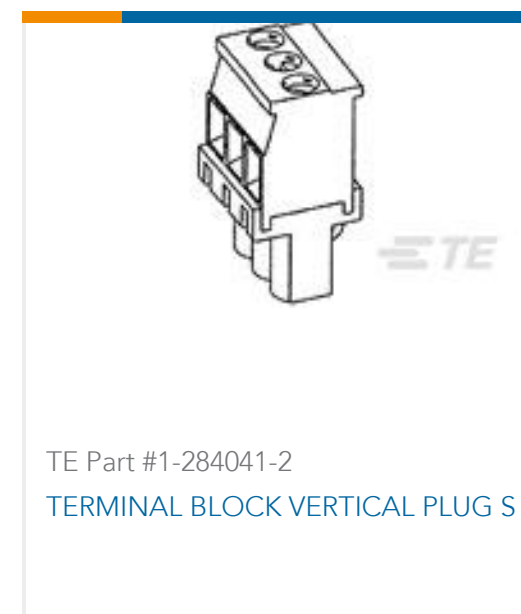
TE Part #1393258-4  
Force Guided Power Relay, 2 Poles



TE Part #1-2273045-2  
M12 A-CODE FEMALE STRAIGHT PIGTAIL



TE Part #1623741-6  
Wirewound Resistor: Axial Mount, 17 Watt



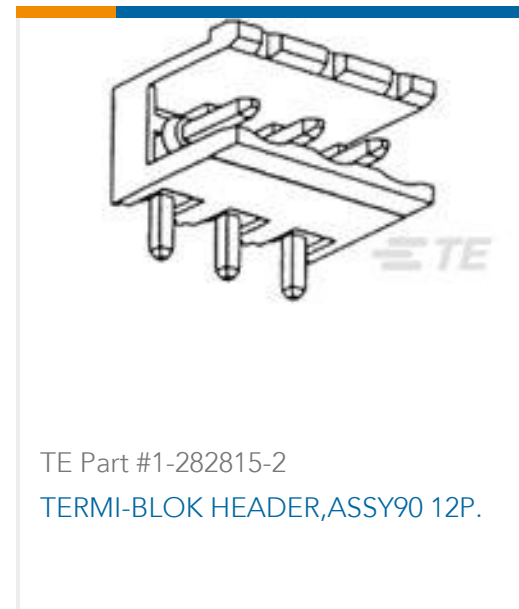
TE Part #1-284041-2  
TERMINAL BLOCK VERTICAL PLUG S



TE Part #1-2319764-1  
E STACK PIANO 2P G LONG TUBE PD OFF



TE Part #1-2319764-6  
E STACK PIANO 2P G SHORT TUBE PD OFF



TE Part #1-282815-2  
TERMI-BLOK HEADER, ASSY90 12P.



TE Part #1337769-2  
50OHM COAX BNC STR PLUG STR P



TE Part #1337769-5  
50 OHM COAX BNC STR PLUG P99-E



TE Part #AAD8410-00  
RW-175-1/16-X

## Documents

### Product Drawings

[E STACK PIANO 2P G LONG TUBE PD ON](#)

English

### CAD Files

[3D PDF](#)

3D

Customer View Model

[ENG\\_CVM\\_CVM\\_2319764-1\\_A.2d\\_dxf.zip](#)

English

Customer View Model

[ENG\\_CVM\\_CVM\\_2319764-1\\_A.3d\\_igs.zip](#)

English

Customer View Model

[ENG\\_CVM\\_CVM\\_2319764-1\\_A.3d\\_stp.zip](#)

English

By downloading the CAD file I accept and agree to the [Terms and Conditions](#) of use.

### Datasheets & Catalog Pages



**ALCOSWITCH DIP Swtich EDS,EDSP Series**

English