



Raychem | Raychem Versafit V2

TE Internal #: 235265J001

Raychem Versafit V2, Heat Shrink Tubing, Black, Single Wall Type, 28.19 Expanded Inside Diameter (Min) 1.11 Expanded Inside Diameter (Min)

[View on TE.com >](#)

Heat Shrink Tubing



Primary Product Color: **Black**

Wall Type: **Single**

Expanded Inside Diameter (Min): **28.19 mm [ 1.11 in ]**

Recovered Inside Diameter (Max): **12.5 mm [ .492 in ]**

Shrink Ratio: **2:1**

### Features

#### Product Type Features

Product Family	V2
Wall Type	Single

#### Electrical Characteristics

Voltage (Max)	.6 kV
---------------	-------

#### Body Features

Primary Product Color	Black
Shrink Ratio	2:1
Primary Product Material	Irradiated Modified Polyolefin
Flexibility	Very Flexible

#### Dimensions

Recovered Wall Thickness (Tolerance)	.89 mm[.035 in]
Expanded Inside Diameter (Min)	28.19 mm[1.11 in]
Recovered Inside Diameter (Max)	12.5 mm[.492 in]

#### Usage Conditions

Shrink Temperature (Min)	70 °C
Heat Shrink Tubing Flammability	Highly Flame-Retardant
Operating Temperature Range	-30 – 125 °C
Heat Shrink Tubing Resistance	Strain, Wrinkling



Recovery Temperature	90 °C
----------------------	-------

### Product Availability

Applicable Region	Global
-------------------	--------

### Packaging Features

Packaging Method	Flat Spool
------------------	------------

### Other

Meets Low Outgassing Requirements	No
-----------------------------------	----

Product Source	China, US
----------------	-----------

## Product Compliance

[For compliance documentation, visit the product page on TE.com>](#)

EU RoHS Directive 2011/65/EU	Compliant
------------------------------	-----------

EU ELV Directive 2000/53/EC	Compliant
-----------------------------	-----------

China RoHS 2 Directive MIIT Order No 32, 2016	No Restricted Materials Above Threshold
---	---

EU REACH Regulation (EC) No. 1907/2006	Current ECHA Candidate List: JAN 2021 (211) Candidate List Declared Against: JAN 2021 (211) Does not contain REACH SVHC
--	---

Halogen Content	Not Low Halogen - contains Br or Cl > 900 ppm.
-----------------	--

Solder Process Capability	Not applicable for solder process capability
---------------------------	--

#### Product Compliance Disclaimer

This information is provided based on reasonable inquiry of our suppliers and represents our current actual knowledge based on the information they provided. This information is subject to change. The part numbers that TE has identified as EU RoHS compliant have a maximum concentration of 0.1% by weight in homogenous materials for lead, hexavalent chromium, mercury, PBB, PBDE, DBP, BBP, DEHP, DIBP, and 0.01% for cadmium, or qualify for an exemption to these limits as defined in the Annexes of Directive 2011/65/EU (RoHS2). Finished electrical and electronic equipment products will be CE marked as required by Directive 2011/65/EU. Components may not be CE marked. Additionally, the part numbers that TE has identified as EU ELV compliant have a maximum concentration of 0.1% by weight in homogenous materials for lead, hexavalent chromium, and mercury, and 0.01% for cadmium, or qualify for an exemption to these limits as defined in the Annexes of Directive 2000/53/EC (ELV). Regarding the REACH Regulation, the information TE provides on SVHC in articles for this part number is based on the latest European Chemicals Agency (ECHA) 'Guidance on requirements for substances in articles' posted at this URL: <https://echa.europa.eu/guidance-documents/guidance-on-reach>

## Compatible Parts

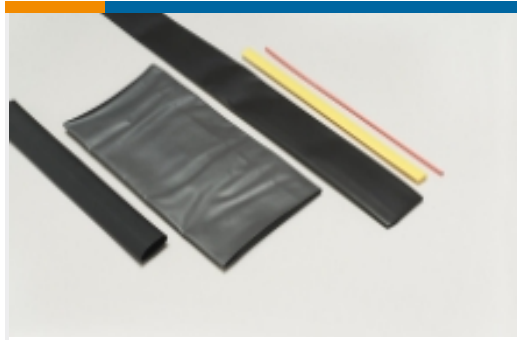


TE Part # CJ2087-000  
HL2010E-KIT-120V



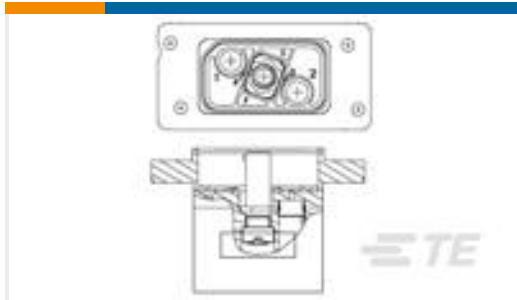
TE Part # EG1114-000  
CV1981-ST-230V1600W-EU

## Also in the Series | Raychem Versafit V2



Heat Shrink Tubing(37)

## Customers Also Bought



TE Part #1604897-5  
ASY,RECEPT,PANEL MT,2 POS



TE Part #205162-5  
AMPLIMITE,ASY,PLUG,109,1



TE Part #1693800-1  
CURING FIXT, BULK



TE Part #1484225-1  
FILLER PLUG, SIZE 5



TE Part #1877720-1  
Rcpt Shell Kit,Vert,Rear Pnl Mt,A-F Jack



TE Part #1918931-8  
CABLE ADPT, PLUG, HA, 7.5mm, PRO BEAM Jr



TE Part #1918934-1  
Std Cbl Adp, No Bt, HA 3.2



TE Part #9-1377173-9  
SMP 0-0130537-0



TE Part #ZPF000000000019178  
FDBA 56-12-10 SZ-K-A5357



TE Part #1811650-1  
STRAIN RELIEF KIT,GPRB2



## Documents

### Datasheets & Catalog Pages

[VERSAFIT V2 Pages from 9-1773447-9](#)

English

[Application Tooling for Raychem Heat Shrink Product](#)

English

[Highly Flame-Retardant, Low Recovery Temp., Metric-Sized Heat-Shrinkable Tubing](#)

English

---

### Product Specifications

[Product Specification](#)

English