

**Agastat**

TE Internal #: 3-1423157-4

Time Delay Relays, Knob, 240 – 220VAC Time Delay Relay Input Voltage, 10A@240VACA Time Delay Relay Contact Current Rating, On-Delay

[View on TE.com >](#)

Relays, Contactors &amp; Switches &gt; Relays &gt; Time Delay Relays

Type of Control: **Knob**Time Delay Relay Input Voltage: **240 – 220 VAC**Time Delay Relay Contact Current Rating: **10A@240VAC A**Mode of Operation: **On-Delay**Delay Time: **6 – 60 minutes****Features****Product Type Features**

Product Type	Relay
Relay Type	Time Delay
Product Category	Electromechanical Relays
Magnetic Blow-Out Device	Without

**Configuration Features**

Multiple Timing Ranges	Without
------------------------	---------

**Electrical Characteristics**

Actuating System	AC
Time Delay Relay Input Voltage	240 – 220 VAC

**Contact Features**

Contact Arrangement	2 Form C, DPDT, 2 C/O
Type of Control	Knob
Time Delay Relay Contact Current Rating	10A@240VAC A
Delay Time	6 – 60 minutes

**Termination Features**

Termination Type	Screw Terminals
------------------	-----------------

**Mechanical Attachment**

Time Delay Relay Mounting Type	Mounting Bracket
--------------------------------	------------------

### Dimensions

Dimensions (L x W x H) (Approximate)	114.8 x 65.3 x 71.9 mm[4.523 x 2.572 x 2.832 in]
--------------------------------------	--

### Usage Conditions

Operating Temperature Range	-30 – 75 °C
-----------------------------	-------------

### Operation/Application

Mode of Operation	On-Delay
-------------------	----------

### Other

Repeatability (Max)	±10%
---------------------	------

## Product Compliance

[For compliance documentation, visit the product page on TE.com>](#)

EU RoHS Directive 2011/65/EU	Not Compliant
EU ELV Directive 2000/53/EC	Not Compliant
China RoHS 2 Directive MIIT Order No 32, 2016	Restricted Materials Above Threshold
EU REACH Regulation (EC) No. 1907/2006	Current ECHA Candidate List: JAN 2021 (211) Candidate List Declared Against: JAN 2021 (211) Does not contain REACH SVHC
Halogen Content	Low Halogen - Br, Cl, F, I < 900 ppm per homogenous material. Also BFR/CFR/PVC Free
Solder Process Capability	Not applicable for solder process capability

#### Product Compliance Disclaimer

This information is provided based on reasonable inquiry of our suppliers and represents our current actual knowledge based on the information they provided. This information is subject to change. The part numbers that TE has identified as EU RoHS compliant have a maximum concentration of 0.1% by weight in homogenous materials for lead, hexavalent chromium, mercury, PBB, PBDE, DBP, BBP, DEHP, DIBP, and 0.01% for cadmium, or qualify for an exemption to these limits as defined in the Annexes of Directive 2011/65/EU (RoHS2). Finished electrical and electronic equipment products will be CE marked as required by Directive 2011/65/EU. Components may not be CE marked. Additionally, the part numbers that TE has identified as EU ELV compliant have a maximum concentration of 0.1% by weight in homogenous materials for lead, hexavalent chromium, and mercury, and 0.01% for cadmium, or qualify for an exemption to these limits as defined in the Annexes of Directive 2000/53/EC (ELV). Regarding the REACH Regulations, TE's information on SVHC in articles for this part number is still based on the European Chemical Agency (ECHA) 'Guidance on requirements for substances in articles' (Version: 2, April 2011), applying the 0.1% weight on weight concentration threshold at the finished product level. TE is aware of the European Court of Justice ruling of September 10th, 2015 also known as O5A (Once An Article Always An Article) stating that, in case of 'complex object', the threshold for a SVHC must be applied to both the product as a whole and simultaneously to each of the articles forming part of its composition. TE has evaluated this ruling based on the new ECHA "Guidance on requirements for substances in articles" (June 2017, version 4.0) and will be updating its statements accordingly.

## Compatible Parts



TE Part # 3-1423159-3  
7012PJ=RLY,STD,ON,2P,125VDC,1

## Customers Also Bought



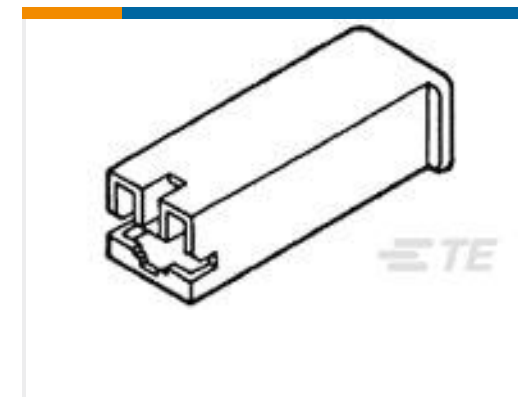
TE Part #320574  
PIDG RING TONGUE TERMINALS



TE Part #3-1423159-3  
7012PJ=RLY,STD,ON,2P,125VDC,1



TE Part #207020-1  
METRIMATE RCPT 36 POS



TE Part #172076-1  
POSITIVE LOCK 250 HOUSING  
RECEPTACLE



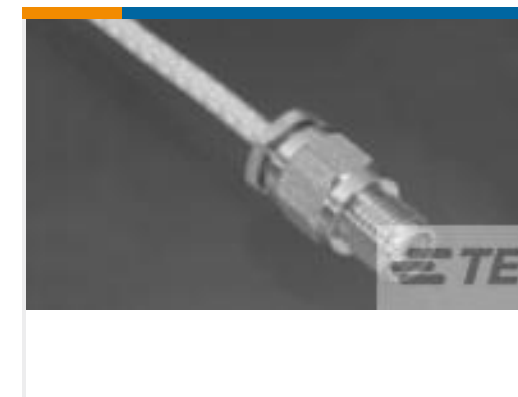
TE Part #1423161-4  
7014PA=RLY,STD,ON,4P,125VDC,



TE Part #WP-2P  
DEUTSCH DTP WEDGELOCKS



TE Part #278414-000  
RT-3-NO.2-0-COIL



TE Part #1050999-1  
2004 7195 00



TE Part #1618096-3  
910-3X=WILMAR PHASE SEQUENCE



TE Part #306409-000  
44AM1141-20-0/2/5/9-9

## Documents

### Product Drawings

[7012BI=RLY,STD,ON,2P,240VAC,6](#)

English

### Datasheets & Catalog Pages

[5-1773450-5\\_sec12\\_7000](#)



English