



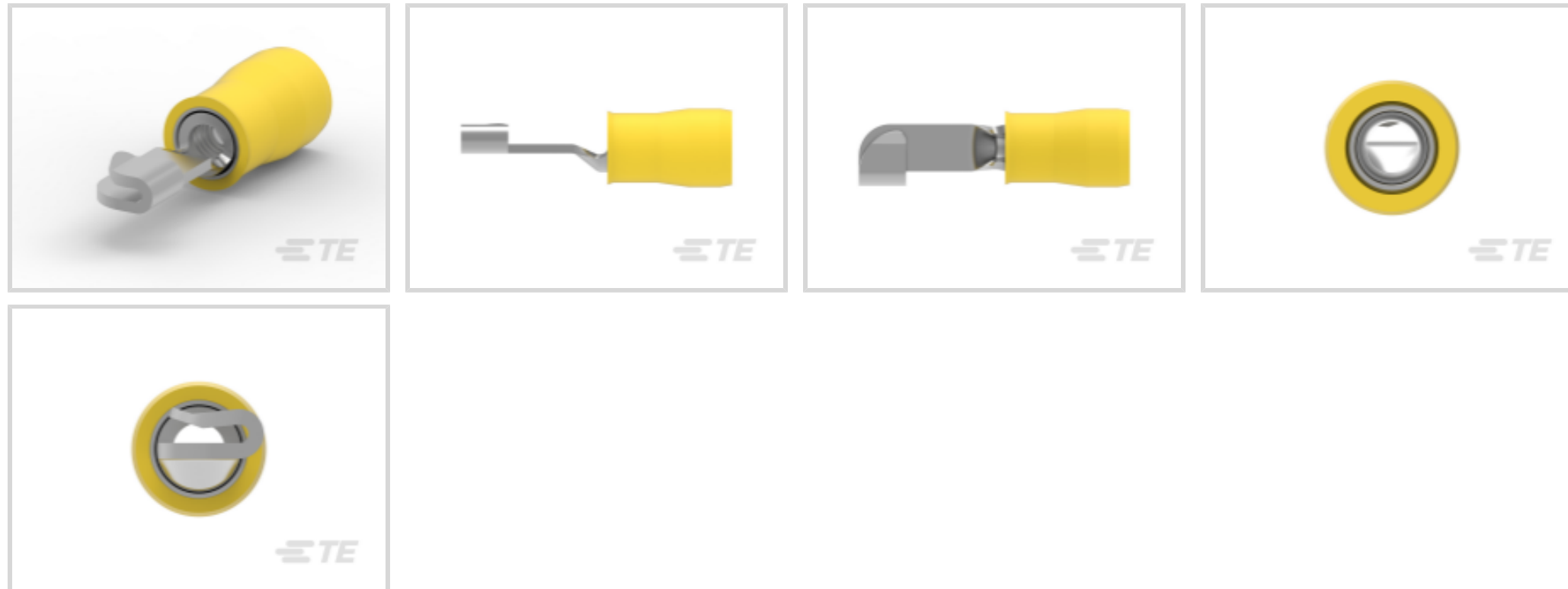
PIDG

TE Internal #: 35762

PIDG, Knife Disconnects, Tin, Wire Insulation Support, Knife Disconnect Wire Insulation Diameter (Max) .25 in [6.35 mm], Knife Disconnect

[View on TE.com >](#)

Terminals & Splices > Knife Disconnects > PIDG KNIFE DISCONNECT SPLICES



Body Plating Material: **Tin**

Wire Insulation Support: **With**

Knife Disconnect Wire Insulation Diameter (Max): **6.35 mm [.25 in]**

Terminal & Splice Type: **Knife Disconnect**

Wire Size: **12 – 10 AWG**

[All PIDG KNIFE DISCONNECT SPLICES \(9\)](#)

Features

Product Type Features

Sealable	No
Insulated	Yes

Body Features

Insulation Sleeve Material	Nylon
Body Plating Material	Tin

Contact Features

Terminal & Splice Type	Knife Disconnect
------------------------	------------------

Mechanical Attachment

Wire Insulation Support	With
-------------------------	------

Dimensions

Knife Disconnect Wire Insulation Diameter (Max)	6.35 mm[.25 in]
Wire Size	2.62 – 6.64 mm ²



Usage Conditions

Insulation Requirement	Partially Insulated
Operating Temperature Range	105 °C[221 °F]

Packaging Features

Packaging Quantity	500
Packaging Method	Loose Piece

Other

Barrel Color	Yellow
--------------	--------

Product Compliance

[For compliance documentation, visit the product page on TE.com>](#)

EU RoHS Directive 2011/65/EU	Compliant
EU ELV Directive 2000/53/EC	Compliant
China RoHS 2 Directive MIIT Order No 32, 2016	No Restricted Materials Above Threshold
EU REACH Regulation (EC) No. 1907/2006	Current ECHA Candidate List: JAN 2021 (211) Candidate List Declared Against: JAN 2021 (211) Does not contain REACH SVHC
Halogen Content	Low Halogen - Br, Cl, F, I < 900 ppm per homogenous material. Also BFR/CFR/PVC Free
Solder Process Capability	Not applicable for solder process capability

Product Compliance Disclaimer

This information is provided based on reasonable inquiry of our suppliers and represents our current actual knowledge based on the information they provided. This information is subject to change. The part numbers that TE has identified as EU RoHS compliant have a maximum concentration of 0.1% by weight in homogenous materials for lead, hexavalent chromium, mercury, PBB, PBDE, DBP, BBP, DEHP, DIBP, and 0.01% for cadmium, or qualify for an exemption to these limits as defined in the Annexes of Directive 2011/65/EU (RoHS2). Finished electrical and electronic equipment products will be CE marked as required by Directive 2011/65/EU. Components may not be CE marked. Additionally, the part numbers that TE has identified as EU ELV compliant have a maximum concentration of 0.1% by weight in homogenous materials for lead, hexavalent chromium, and mercury, and 0.01% for cadmium, or qualify for an exemption to these limits as defined in the Annexes of Directive 2000/53/EC (ELV). Regarding the REACH Regulation, the information TE provides on SVHC in articles for this part number is based on the latest European Chemicals Agency (ECHA) 'Guidance on requirements for substances in articles' posted at this URL: <https://echa.europa.eu/guidance-documents/guidance-on-reach>

Compatible Parts




TE Part # 58433-3
PRO CR ASSY, RBY IS9252



TE Part # 58423-1
DIE, RBY IS9252



TE Part # 679300-1
1210 PIDG CRIMP HEAD



TE Part # 59824-1
TETRA-CRIMP PIDG PG FASTON 22-10 ASSY



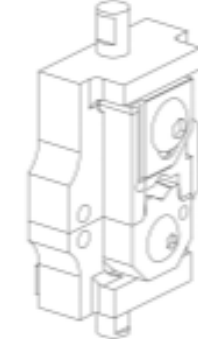
TE Part # 59239-4
HHHT PIDG PG 12-10 ASSY



TE Part # 539691-2
ERGO DIE R.B.Y



TE Part # 2063030-1
SDE DIESET, RBY, UL



TE Part # 2063361-1
DIE ASM, 12-10 PIDG, BATT TL



TE Part # 2217330-2
KIT, BTLI, 4 TON, EU



TE Part # 2217484-1
KIT, BTLI, HEAVY HEAD



TE Part # 2217484-2
KIT, BTLI, HEAVY HEAD




TE Part # 47808-6
DIES PIDG 12-10 DIE SET



TE Part # 169404
CERTI-LOK DIE




TE Part # 169400
CERTI-LOK




TE Part # 1-59239-4
HHHT PIDG 16-10 HEAD

Also in the Series | PIDG




Compression Connectors(17)



Crimp Terminal Housings(1)



Crimp Wire Pins, Tabs & Ferrules(41)



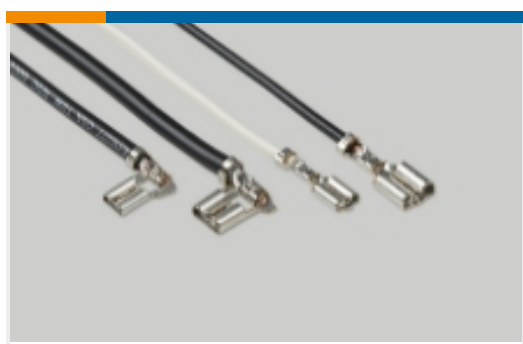
Knife Disconnects(11)



PCB Terminals(9)



Portable Crimp Tools(2)



Quick Disconnects(53)



Ring Terminals & Spade Terminals(862)



Special Purpose Terminals(1)



Splices(48)

Customers Also Bought



TE Part #165514-1
PIDG FORMED WIRE PINS



TE Part #225554-6
TNC RT ANG PLUG DUAL W/P



TE Part #2-1437558-9
MTA206S=(MSTA) SWITCH TOG DPDT



TE Part #HDP26-24-47SE-L017
DEUTSCH HDP20 HOUSINGS



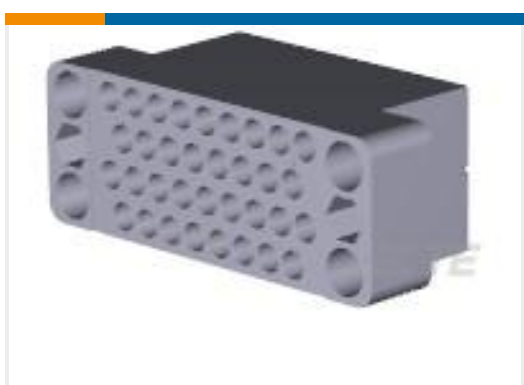
TE Part #320555
PIDG KNIFE DISCONNECT SPLICES



TE Part #1056030001
D-SCE FLUID RESISTANT SLEEVES



TE Part #203618-1
MALE J.S. ASSY. - SHORT



TE Part #200838-2
BLOCK,34 POSN,M SERIES



TE Part #155880-000
CWT-11



TE Part #225973-4
PLUG, RT ANGLE, DUAL CRIMP,BNC

Documents



Product Drawings

[KNIFE DISCONNECT,PIDG 12-10](#)

English

Datasheets & Catalog Pages

[PIDG TERMINALS & SPLICES Quick Reference Guide](#)

English

Product Specifications

[Application Specification](#)

English

Instruction Sheets

[Instruction Sheet \(U.S.\)](#)

English

Agency Approvals

[Agency Approval Document](#)

English