



Heat Shrink Tubing



Meets Low Outgassing Requirements: **No**

Features

Other

Meets Low Outgassing Requirements	No
-----------------------------------	----

Product Compliance

[For compliance documentation, visit the product page on TE.com>](#)

EU RoHS Directive 2011/65/EU	Compliant
EU ELV Directive 2000/53/EC	Compliant
China RoHS 2 Directive MIIT Order No 32, 2016	No Restricted Materials Above Threshold
EU REACH Regulation (EC) No. 1907/2006	Current ECHA Candidate List: JAN 2021 (211) Candidate List Declared Against: JAN 2021 (211) Does not contain REACH SVHC
Halogen Content	Not Low Halogen - contains Br or Cl > 900 ppm.
Solder Process Capability	Not applicable for solder process capability

Product Compliance Disclaimer

This information is provided based on reasonable inquiry of our suppliers and represents our current actual knowledge based on the information they provided. This information is subject to change. The part numbers that TE has identified as EU RoHS compliant have a maximum concentration of 0.1% by weight in homogenous materials for lead, hexavalent chromium, mercury, PBB, PBDE, DBP, BBP, DEHP, DIBP, and 0.01% for cadmium, or qualify for an exemption to these limits as defined in the Annexes of Directive 2011/65/EU (RoHS2). Finished electrical and electronic equipment products will be CE marked as required by Directive 2011/65/EU. Components may not be CE marked. Additionally, the part numbers that TE has identified as EU ELV compliant have a maximum concentration of 0.1% by weight in homogenous materials for lead, hexavalent chromium, and mercury, and 0.01% for cadmium, or qualify for an exemption to these limits as defined in the Annexes of Directive 2000/53/EC (ELV). Regarding the REACH Regulation, the information TE provides on SVHC in articles for this part number is based on the latest European Chemicals Agency (ECHA) 'Guidance on requirements for substances in articles' posted at this URL: <https://echa.europa.eu/guidance-documents/guidance-on-reach>

Compatible Parts

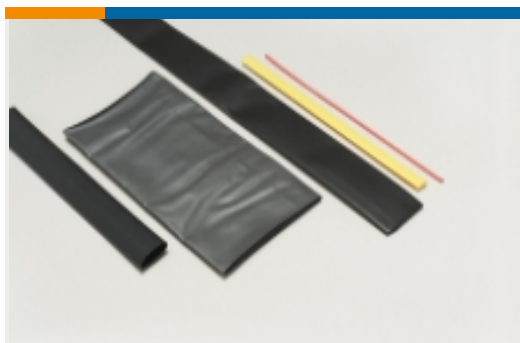


TE Part # CJ2087-000
HL2010E-KIT-120V



TE Part # EG1114-000
CV1981-ST-230V1600W-EU

Also in the Series | Raychem TRSA



Heat Shrink Tubing(81)

Customers Also Bought



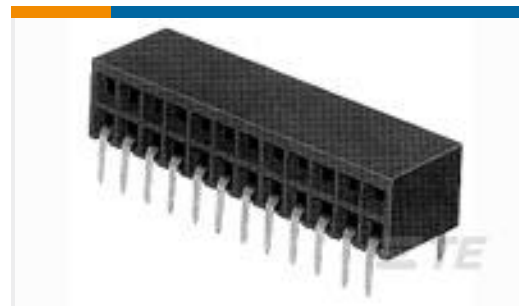
TE Part #1624314-1
SP2 R59 1% TAPED



TE Part #YDTS26Z15-05PAV001
D38999: Straight Plug, 15-05 Insert



TE Part #4238070001
TRSA-1012/E/1/2



TE Part #1-87962-9
40 MODII HORZ DR CE 100CL/115



TE Part #1SNL850001R0000
DBL500-22



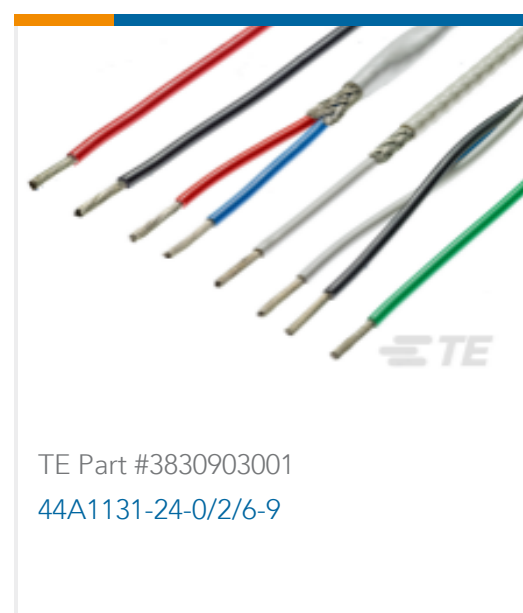
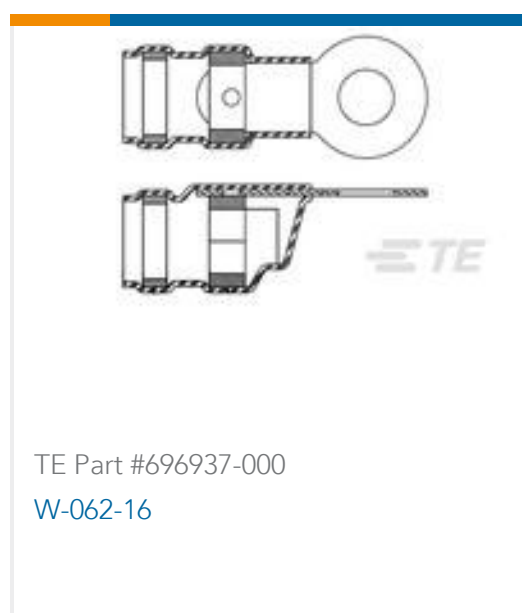
TE Part #2-1624299-0
SP2 1K5 1% TAPED



TE Part #1624304-2
SP2 3K16 1% TAPED



TE Part #5059100006
TRSA-1014/E/1/4



Documents

Datasheets & Catalog Pages

[Application Tooling for Raychem Heat Shrink Product](#)

English

Product Specifications

[Product Specification](#)

English