



Raychem | Raychem RPPM

TE Internal #: 3825474004

Raychem RPPM, Heat Shrink Tubing, Clear, Dual Wall Type, 4 Expanded Inside Diameter (Min) .157 Expanded Inside Diameter (Min)

[View on TE.com >](#)

Heat Shrink Tubing



Primary Product Color: **Clear**

Wall Type: **Dual**

Expanded Inside Diameter (Min): **4 mm [.157 in]**

Recovered Inside Diameter (Max): **1 mm [.039 in]**

Shrink Ratio: **4:1**

Features

Product Type Features

Product Family	RPPM
Wall Type	Dual

Body Features

Fluid Type	Typical Automotive Fluids, Water
Primary Product Color	Clear
Shrink Ratio	4:1
Primary Product Material	Irradiated Modified Polyolefin
Flexibility	Semi-Rigid

Dimensions

Recovered Wall Thickness (Tolerance)	.8 mm
Expanded Inside Diameter (Min)	4 mm [.157 in]
Recovered Inside Diameter (Max)	1 mm [.039 in]
Heat Shrink Tubing Size Range	1 – 4 mm [.039 – .157 in]

Usage Conditions

Shrink Temperature (Min)	60 °C
Heat Shrink Tubing Flammability	Non-Flame-Retardant
Operating Temperature Range	-40 – 85 °C
Heat Shrink Tubing Resistance	Abrasion, Fluids



Recovery Temperature	80 °C
----------------------	-------

Product Availability

Applicable Region	Global
-------------------	--------

Packaging Features

Packaging Method	Spool
------------------	-------

Other

Meets Low Outgassing Requirements	No
-----------------------------------	----

Product Source	Czech Republic
----------------	----------------

Product Compliance

[For compliance documentation, visit the product page on TE.com>](#)

EU RoHS Directive 2011/65/EU	Compliant
------------------------------	-----------

EU ELV Directive 2000/53/EC	Compliant
-----------------------------	-----------

China RoHS 2 Directive MIIT Order No 32, 2016	No Restricted Materials Above Threshold
---	---

EU REACH Regulation (EC) No. 1907/2006	Current ECHA Candidate List: JAN 2021 (211) Candidate List Declared Against: JAN 2021 (211) Does not contain REACH SVHC
--	---

Halogen Content	BFR/CFR/PVC Free, but Br/Cl >900 ppm in other sources.
-----------------	--

Solder Process Capability	Not applicable for solder process capability
---------------------------	--

Product Compliance Disclaimer

This information is provided based on reasonable inquiry of our suppliers and represents our current actual knowledge based on the information they provided. This information is subject to change. The part numbers that TE has identified as EU RoHS compliant have a maximum concentration of 0.1% by weight in homogenous materials for lead, hexavalent chromium, mercury, PBB, PBDE, DBP, BBP, DEHP, DIBP, and 0.01% for cadmium, or qualify for an exemption to these limits as defined in the Annexes of Directive 2011/65/EU (RoHS2). Finished electrical and electronic equipment products will be CE marked as required by Directive 2011/65/EU. Components may not be CE marked. Additionally, the part numbers that TE has identified as EU ELV compliant have a maximum concentration of 0.1% by weight in homogenous materials for lead, hexavalent chromium, and mercury, and 0.01% for cadmium, or qualify for an exemption to these limits as defined in the Annexes of Directive 2000/53/EC (ELV). Regarding the REACH Regulation, the information TE provides on SVHC in articles for this part number is based on the latest European Chemicals Agency (ECHA) 'Guidance on requirements for substances in articles' posted at this URL: <https://echa.europa.eu/guidance-documents/guidance-on-reach>

Compatible Parts

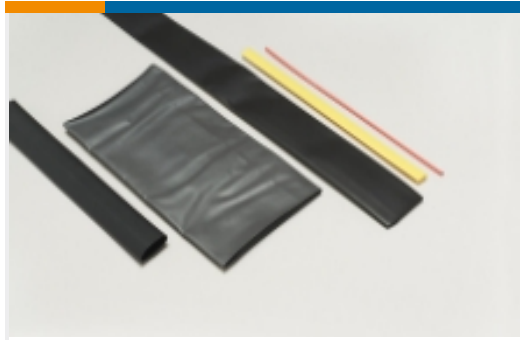


TE Part # CJ2087-000
HL2010E-KIT-120V



TE Part # EG1114-000
CV1981-ST-230V1600W-EU

Also in the Series | **Raychem RPPM**



Heat Shrink Tubing(20)

Customers Also Bought



TE Part #154N-005G-RT
MEDIA ISOLATED PRESSURE STOCK LIST



TE Part #1623804-8
Wirewound Resistor: Horizontal Mount



TE Part #1558662-2
PCB Power Relay: 30 amp, Monostable DC



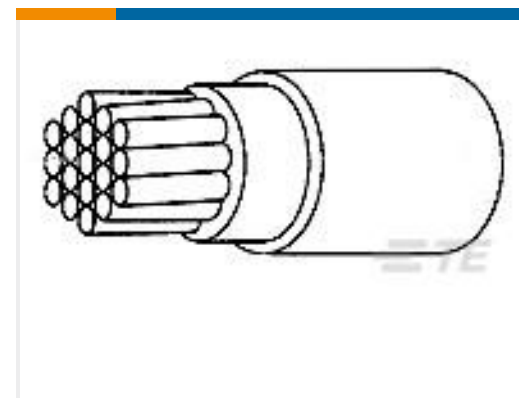
TE Part #1445886-6
RET PIN,SNAP-IN RECEPTACLE DC



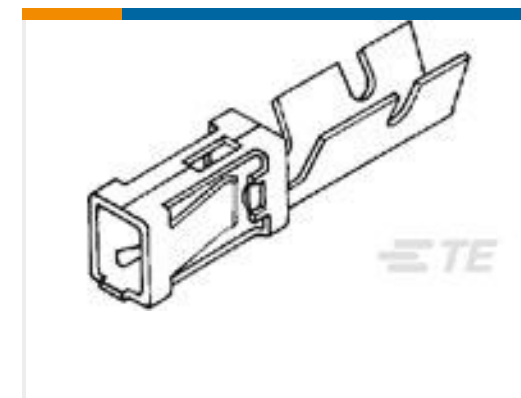
TE Part #YDTS20W13-08PBV001
D38999: Square Flange, 13-08 insert



TE Part #1617030-2
HFW1201B00 = HFW 1/2 SIZE RELA



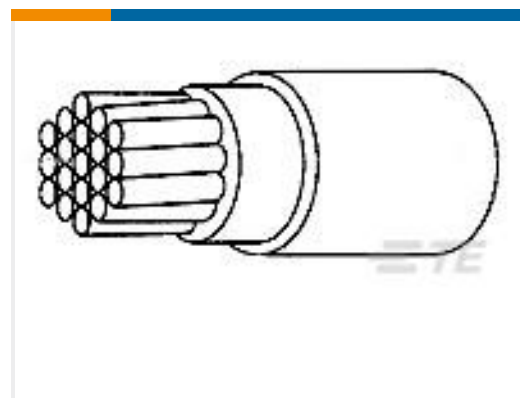
TE Part #1151453001
99M0111-26-2L



TE Part #102106-2
MOD I RECP LP



TE Part #2-1437469-2
SCCL022XXALXA=120VAC 0.33 TO



TE Part #0281513001
99M0111-16-9



Documents

Datasheets & Catalog Pages

[RPPM pages from 9-1773447-9](#)

English

[Application Tooling for Raychem Heat Shrink Product](#)

English

[Measuring_Single_Wall_Tubing](#)

English

[Selecting_Correct_Tubing](#)

English

Product Specifications

[Quality Specification](#)

English

Product Environmental Compliance

[Safety Datasheet](#)

German

[Safety Datasheet](#)

English

[Safety Datasheet](#)

English

[Safety Datasheet](#)

[Safety Datasheet](#)

French

[Safety Datasheet](#)

[Safety Datasheet](#)

[Safety Datasheet](#)