

47386-4 ✓ ACTIVE

AMP

TE Internal #: 47386-4

Portable Crimp Tools, Premium Crimp Tooling, Not Releasable,
Not Adjustable, Fixed In Tool, MIL Spec / TE Product Specification
(114-)

[View on TE.com >](#)



Application Tooling > Portable Crimp Tools



Tool Grade: **Premium Crimp Tooling**

Ratchet Configuration: **Not Releasable, Not Adjustable**

Die Sets Type: **Fixed In Tool**

Specification Type: **MIL Spec, TE Product Specification (114-)**

TE Certification: **Yes – Certificate Included**

Features

Other

Crimp Form-Wire Barrel Type	Closed Barrel - Confined Crescent
Tool Grade	Premium Crimp Tooling
Ratchet Configuration	Not Releasable, Not Adjustable
Die Sets Type	Fixed In Tool
Specification Type	MIL Spec, TE Product Specification (114-)
TE Certification	Yes – Certificate Included
Power Technology Type	Battery, Manual
Tooling Type	Double Action Hand Tool

Product Compliance

[For compliance documentation, visit the product page on TE.com>](#)

EU RoHS Directive 2011/65/EU	Out of Scope
EU ELV Directive 2000/53/EC	Out of Scope
China RoHS 2 Directive MIIT Order No 32, 2016	Not reviewed for China RoHS compliance
EU REACH Regulation (EC) No. 1907/2006	Current ECHA Candidate List: JAN 2021 (211) Candidate List Declared Against: JAN 2017 (173) SVHC > Threshold: Not Yet Reviewed

Halogen Content

Not Yet Reviewed for halogen content

Solder Process Capability

Not applicable for solder process capability

Product Compliance Disclaimer

This information is provided based on reasonable inquiry of our suppliers and represents our current actual knowledge based on the information they provided. This information is subject to change. The part numbers that TE has identified as EU RoHS compliant have a maximum concentration of 0.1% by weight in homogenous materials for lead, hexavalent chromium, mercury, PBB, PBDE, DBP, BBP, DEHP, DIBP, and 0.01% for cadmium, or qualify for an exemption to these limits as defined in the Annexes of Directive 2011/65/EU (RoHS2). Finished electrical and electronic equipment products will be CE marked as required by Directive 2011/65/EU. Components may not be CE marked. Additionally, the part numbers that TE has identified as EU ELV compliant have a maximum concentration of 0.1% by weight in homogenous materials for lead, hexavalent chromium, and mercury, and 0.01% for cadmium, or qualify for an exemption to these limits as defined in the Annexes of Directive 2000/53/EC (ELV). Regarding the REACH Regulations, TE's information on SVHC in articles for this part number is still based on the European Chemical Agency (ECHA) 'Guidance on requirements for substances in articles' (Version: 2, April 2011), applying the 0.1% weight on weight concentration threshold at the finished product level. TE is aware of the European Court of Justice ruling of September 10th, 2015 also known as O5A (Once An Article Always An Article) stating that, in case of 'complex object', the threshold for a SVHC must be applied to both the product as a whole and simultaneously to each of the articles forming part of its composition. TE has evaluated this ruling based on the new ECHA "Guidance on requirements for substances in articles" (June 2017, version 4.0) and will be updating its statements accordingly.

Compatible Parts



TE Part # CAT-P592-R472A
PIDG RING TONGUE TERMINALS



TE Part # CAT-P592-F614
PIDG FLANGED SPADE TONGUE TERMINALS



TE Part # CAT-P592-R472
PIDG RADIATION REST/150 C RINGS /SPADES



TE Part # CAT-P592-SH816
PIDG SHORT SPRING SPADE TONGUE TERMLS



TE Part # CAT-P592-SP118
PIDG SPADE TONGUE TERMINALS



TE Part # CAT-P592-F266
PIDG FASTON RECTPT QUICK DISCONNECTS



TE Part # CAT-P592-L853
PIDG LONG SPRING SPADE TONGUE TERMINALS



TE Part # CAT-P592-B98
PIDG BUTT SPLICES



TE Part # CAT-P592-SL56
PIDG SLOTTED RING TONGUE TERMINALS



TE Part # CAT-P592-T116
PIDG TABS



TE Part # CAT-P592-F766
PIDG FORMED WIRE PINS



TE Part # CAT-P592-R2456
PIDG RECTANGULAR TONGUE TERMINALS



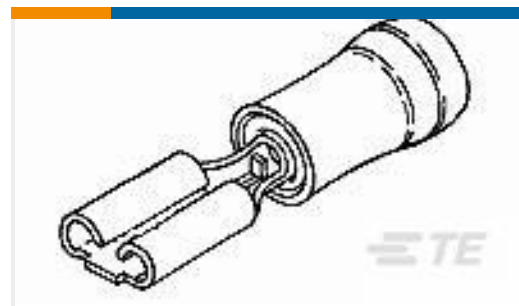
TE Part # 66023-2
TAB,PIDG TERMI-BK 22-16



TE Part # 34141
PG R 22-16 COMM 22-18 MIL 4



TE Part # 52950
PG SPR SPD 22-16COMM22-18MIL 8



TE Part # 61048-1
RECEPT,PIDG FASTON 22-18 110



TE Part # 53240-1
PG SP SPD 22-16COMM22-18MIL 6



TE Part # 34149
PG R 22-16 COMM 22-18 MIL 10



TE Part # 34155
PG SPD 22-16 COMM 22-18 MIL 8

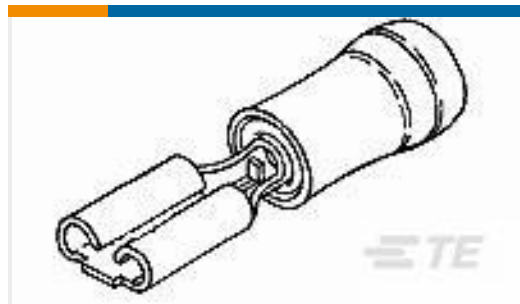


TE Part # 52454
PG SPR SPD 22-16COMM 22-18MIL8

Customers Also Bought



TE Part #150730
22-16 PIDG TAB 3,3/3



TE Part #165565-2
2,8 PIDG FASTON REC



TE Part #131330
PIDG TABS



TE Part #130167
PIDG RING



TE Part #1-1564534-1
HEAVY DUTY SEALED CONNECTOR HOUSINGS



TE Part #1-967588-1
AMP MCP, RECEPTACLE AND TAB HOUSINGS



TE Part #144935-1
MQS, CONNECTOR HOUSING



TE Part #A88975-000
B-155-07



TE Part #1-1718284-2
ADAPTER 90°FOR 10-14POS. SOCKE

Documents



Datasheets & Catalog Pages

[CERTI-CRIMP II - Premium - August-1-1773864-7](#)

English

[PIDG TERMINALS & SPLICES Quick Reference Guide](#)

English

[Crimp Term Whitepaper-Use the Right Tool 1-1773953-1](#)

English

[Bottoming Dies](#)

English

[CRIMPING WHERE FORM MEETS FUNCTION](#)

English

Instruction Sheets

[Instruction Sheet \(non U.S.\)](#)

English