

# SRFR-2.9/1.7-8-SP ✓ ACTIVE

Raychem

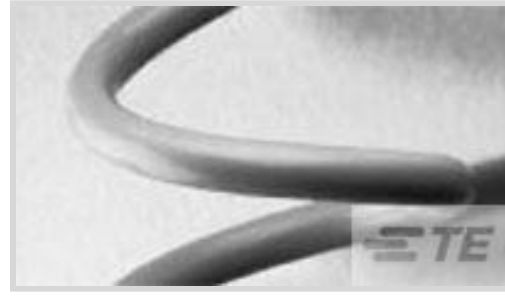
TE Internal #: 5039924004

Heat Shrink Tubing, Gray, Single Wall Type, 2.9 Expanded Inside Diameter (Min) .114 Expanded Inside Diameter (Min)

[View on TE.com >](#)



Heat Shrink Tubing > Single Wall SRFR: Heat Shrink Tubing, 1.5:1 Shrink Ratio



Primary Product Color: **Gray**

Wall Type: **Single**

Expanded Inside Diameter (Min): **2.9 mm [ .114 in ]**

Recovered Inside Diameter (Max): **1.7 mm [ .066 in ]**

Shrink Ratio: **1.5:1**

[All Single Wall SRFR: Heat Shrink Tubing, 1.5:1 Shrink Ratio \(6\)](#)

## Features

### Product Type Features

Product Family	SRFR
Wall Type	Single

### Electrical Characteristics

Voltage (Max)	.6 kV
---------------	-------

### Body Features

Primary Product Color	Gray
Shrink Ratio	1.5:1
Primary Product Material	Silicone Rubber
Flexibility	Very Flexible

### Dimensions

Recovered Wall Thickness (Nominal)	.5 mm[.02 in]
Expanded Inside Diameter (Min)	2.9 mm[.114 in]
Recovered Inside Diameter (Max)	1.7 mm[.066 in]

### Usage Conditions

Fluid Resistance	None
Shrink Temperature (Min)	135 °C
Heat Shrink Tubing Flammability	Highly Flame-Resistant



Operating Temperature Range	-75 – 200 °C
Heat Shrink Tubing Resistance	Heat Shocks, High & Low Temperatures, Radiation Sterilization, Steam Sterilization
Recovery Temperature	175 °C

### Product Availability

Applicable Region	Worldwide
-------------------	-----------

### Packaging Features

Packaging Method	Piece
------------------	-------

### Other

Meets Low Outgassing Requirements	No
Product Source	UK, US

### Product Compliance

[For compliance documentation, visit the product page on TE.com>](#)

EU RoHS Directive 2011/65/EU	Compliant
EU ELV Directive 2000/53/EC	Compliant
China RoHS 2 Directive MIIT Order No 32, 2016	No Restricted Materials Above Threshold
EU REACH Regulation (EC) No. 1907/2006	Current ECHA Candidate List: JAN 2021 (211) Candidate List Declared Against: JAN 2021 (211) Does not contain REACH SVHC
Halogen Content	Low Halogen - Br, Cl, F, I < 900 ppm per homogenous material. Also BFR/CFR/PVC Free
Solder Process Capability	Not applicable for solder process capability

#### Product Compliance Disclaimer

This information is provided based on reasonable inquiry of our suppliers and represents our current actual knowledge based on the information they provided. This information is subject to change. The part numbers that TE has identified as EU RoHS compliant have a maximum concentration of 0.1% by weight in homogenous materials for lead, hexavalent chromium, mercury, PBB, PBDE, DBP, BBP, DEHP, DIBP, and 0.01% for cadmium, or qualify for an exemption to these limits as defined in the Annexes of Directive 2011/65/EU (RoHS2). Finished electrical and electronic equipment products will be CE marked as required by Directive 2011/65/EU. Components may not be CE marked. Additionally, the part numbers that TE has identified as EU ELV compliant have a maximum concentration of 0.1% by weight in homogenous materials for lead, hexavalent chromium, and mercury, and 0.01% for cadmium, or qualify for an exemption to these limits as defined in the Annexes of Directive 2000/53/EC (ELV). Regarding the REACH Regulation, the information TE provides on SVHC in articles for this part number is based on the latest European Chemicals Agency (ECHA) 'Guidance on requirements for substances in articles' posted at this URL: <https://echa.europa.eu/guidance-documents/guidance-on-reach>



## Compatible Parts



TE Part # CJ2087-000  
HL2010E-KIT-120V

## Customers Also Bought



TE Part #197036-000  
STD SNAP-ON MARKERS



TE Part #1658621-7  
30 NOVO MIL/CTR 15DP,LEAD FREE



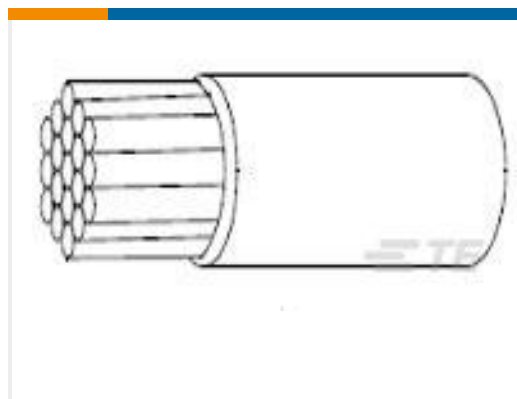
TE Part #181949-2  
250 FASTON,TAB,TPBR



TE Part #3160033003  
55A0121-22-2/6



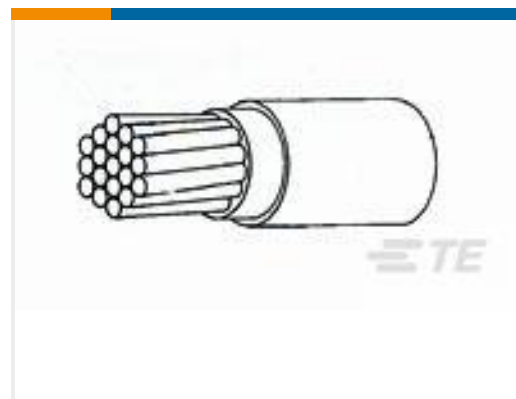
TE Part #2-1658527-0  
622-1230LF=FSKT IDC S 12 30AU



TE Part #1198043001  
55M0414-26-9



TE Part #1-2186528-1  
T2212-SWARE-PRINTER



TE Part #2820993001  
44A0311-24-9



TE Part #2163693001  
55A0111-18-8



TE Part #NB34434001  
TAK-SLEEVE-1/8-X-BULK-SP

## Documents

### Product Drawings

[SRFR-2.9/1.7-8-SP](#)

English

### Datasheets & Catalog Pages

[1654025\\_Sec3\\_SRFR](#)

English



[6-1773439-3TubingSelectionGuideEN](#)

English

---

**Product Specifications**

[Thermofit SRFR Tubing Silicone Rubber, Flame-Resistant, Heat-Shrinkable](#)

English

**SRFR SLEEVING**

English