

5053024016 ✓ ACTIVE

Raychem | Raychem RNF-100

TE Internal #: 5053024016

Raychem RNF-100, Heat Shrink Tubing, Blue, Single Wall Type, 3.2 Expanded Inside Diameter (Min) .126 Expanded Inside Diameter (Min)

[View on TE.com >](#)



Heat Shrink Tubing



Primary Product Color: **Blue**

Wall Type: **Single**

Expanded Inside Diameter (Min): **3.2 mm [.126 in]**

Recovered Inside Diameter (Max): **1.6 mm [.063 in]**

Shrink Ratio: **2:1**

Features

Product Type Features

Product Family	RNF-100
Wall Type	Single

Electrical Characteristics

Voltage (Max)	.6 kV
---------------	-------

Body Features

Fluid Type	Gasoline, Hydraulic Fluid, Lubricating Oil, Water
Primary Product Color	Blue
Shrink Ratio	2:1
Primary Product Material	Irradiated Modified Polyolefin
Flexibility	Flexible

Dimensions

Recovered Wall Thickness (Tolerance)	.2 mm[.008 in]
Recovered Wall Thickness (Nominal)	.5 mm[.02 in]
Expanded Inside Diameter (Min)	3.2 mm[.126 in]
Recovered Inside Diameter (Max)	1.6 mm[.063 in]
Heat Shrink Tubing Size Range	1.6 – 3.2 mm[.062 – .125 in]

Usage Conditions



Fluid Resistance	Splash Protection
Shrink Temperature (Min)	95 °C
Heat Shrink Tubing Flammability	Flame-Retardant
Operating Temperature Range	-55 – 135 °C
Heat Shrink Tubing Resistance	Abrasion, Fluids, Mechanical Damage, Strain
Recovery Temperature	121 °C

Product Availability

Applicable Region	Global
-------------------	--------

Packaging Features

Packaging Method	Box
------------------	-----

Other

Meets Low Outgassing Requirements	No
Product Source	Czech Republic

Product Compliance

[For compliance documentation, visit the product page on TE.com>](#)

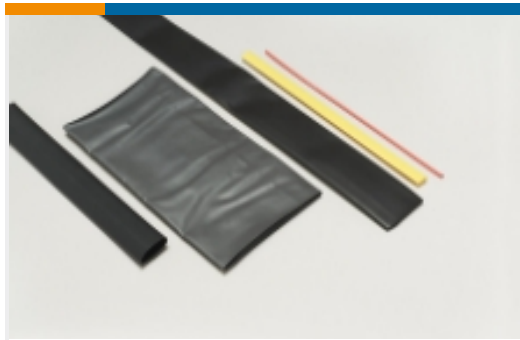
EU RoHS Directive 2011/65/EU	Compliant
EU ELV Directive 2000/53/EC	Compliant
China RoHS 2 Directive MIIT Order No 32, 2016	No Restricted Materials Above Threshold
EU REACH Regulation (EC) No. 1907/2006	Current ECHA Candidate List: JAN 2021 (211) Candidate List Declared Against: JAN 2021 (211) Does not contain REACH SVHC
Halogen Content	Not Low Halogen - contains Br or Cl > 900 ppm.
Solder Process Capability	Not applicable for solder process capability

Product Compliance Disclaimer

This information is provided based on reasonable inquiry of our suppliers and represents our current actual knowledge based on the information they provided. This information is subject to change. The part numbers that TE has identified as EU RoHS compliant have a maximum concentration of 0.1% by weight in homogenous materials for lead, hexavalent chromium, mercury, PBB, PBDE, DBP, BBP, DEHP, DIBP, and 0.01% for cadmium, or qualify for an exemption to these limits as defined in the Annexes of Directive 2011/65/EU (RoHS2). Finished electrical and electronic equipment products will be CE marked as required by Directive 2011/65/EU. Components may not be CE marked. Additionally, the part numbers that TE has identified as EU ELV compliant have a maximum concentration of 0.1% by weight in homogenous materials for lead, hexavalent chromium, and mercury, and 0.01% for cadmium, or qualify for an exemption to these limits as defined in the Annexes of Directive 2000/53/EC (ELV). Regarding the REACH Regulation, the information TE provides on SVHC in articles for this part number is based on the latest European Chemicals Agency (ECHA) 'Guidance on

requirements for substances in articles' posted at this URL: <https://echa.europa.eu/guidance-documents/guidance-on-reach>

Also in the Series | Raychem RNF-100



Heat Shrink Tubing(672)



Power Cable Tubing & Accessories(8)

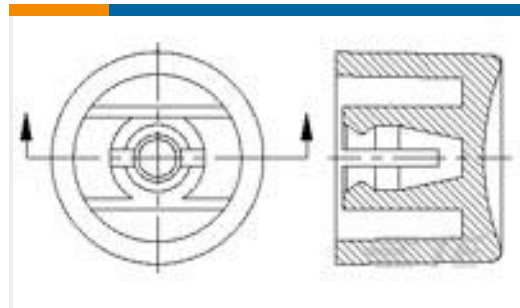
Customers Also Bought



TE Part #1577647-1
TERMINAL RT PIDG PEEK STRATO 10 AWG



TE Part #204504-1
RECEPT ASSY,SZ 3,AMPLIMITE



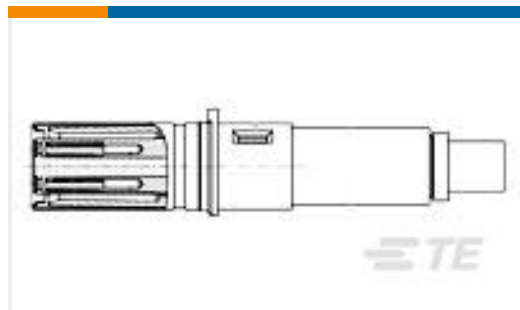
TE Part #1825068-2
C22204 CAP RED



TE Part #043115-000
Bulbous Heat Shrink Boots: Lipped, Right Angle



TE Part #1901611-2
CCII PIDG STRATO 24-20 ASSY



TE Part #1445693-4
BACC47GB1 - SCKT CONTACT, QUADRAX,SZ8,RR



TE Part #1901600-2
CCII PIDG STRATO 18-16 ASSY



TE Part #1137553001
55A1121-26-0/9-9



TE Part #ZPF000000000107200
787-8055-11M



TE Part #0789883001
55M1424-24-2/6-9

Documents

Product Drawings

RNF-100-1/8-6-SP

English



Datasheets & Catalog Pages

RNF-100 Pages from 9-1773447-9

English

Application Tooling for Raychem Heat Shrink Product

English

Product Specifications

Quality Specification

English

Product Environmental Compliance

Safety Datasheet

Safety Datasheet

German

Safety Datasheet

English

Safety Datasheet

English

Safety Datasheet

English

Safety Datasheet

English

Safety Datasheet

Safety Datasheet

Safety Datasheet

French

Safety Datasheet

Safety Datasheet

Safety Datasheet

Safety Datasheet