



Raychem | Raychem RNF-100

TE Internal #: 5053532007

Raychem RNF-100, Heat Shrink Tubing, White, Single Wall Type, 101.6 Expanded Inside Diameter (Min) 4 Expanded Inside Diameter (Min)

[View on TE.com >](#)

Heat Shrink Tubing



Primary Product Color: **White**

Wall Type: **Single**

Expanded Inside Diameter (Min): **101.6 mm [4 in]**

Recovered Inside Diameter (Max): **50.8 mm [2 in]**

Shrink Ratio: **2:1**

Features

Product Type Features

| | |
|----------------|---------|
| Product Family | RNF-100 |
| Wall Type | Single |

Electrical Characteristics

| | |
|---------------|-------|
| Voltage (Max) | .6 kV |
|---------------|-------|

Body Features

| | |
|--------------------------|---|
| Fluid Type | Gasoline, Hydraulic Fluid, Lubricating Oil, Water |
| Primary Product Color | White |
| Shrink Ratio | 2:1 |
| Primary Product Material | Irradiated Modified Polyolefin |
| Flexibility | Flexible |

Dimensions

| | |
|--------------------------------------|---------------------------|
| Recovered Wall Thickness (Tolerance) | .23 mm[.009 in] |
| Cut Length | 1220 mm[48.03 in] |
| Recovered Wall Thickness (Nominal) | 1.4 mm[.055 in] |
| Expanded Inside Diameter (Min) | 101.6 mm[4 in] |
| Recovered Inside Diameter (Max) | 50.8 mm[2 in] |
| Heat Shrink Tubing Size Range | 50.8 – 101.6 mm[2 – 4 in] |



Usage Conditions

| | |
|---------------------------------|---|
| Fluid Resistance | Splash Protection |
| Shrink Temperature (Min) | 95 °C |
| Heat Shrink Tubing Flammability | Flame-Retardant |
| Operating Temperature Range | -55 – 135 °C |
| Heat Shrink Tubing Resistance | Abrasion, Fluids, Mechanical Damage, Strain |
| Recovery Temperature | 121 °C |

Product Availability

| | |
|-------------------|--------|
| Applicable Region | Global |
|-------------------|--------|

Packaging Features

| | |
|------------------|-------|
| Packaging Method | Stick |
|------------------|-------|

Other

| | |
|-----------------------------------|----------------|
| Meets Low Outgassing Requirements | No |
| Product Source | Czech Republic |

Product Compliance

[For compliance documentation, visit the product page on TE.com>](#)

| | |
|---|---|
| EU RoHS Directive 2011/65/EU | Compliant |
| EU ELV Directive 2000/53/EC | Compliant |
| China RoHS 2 Directive MIIT Order No 32, 2016 | No Restricted Materials Above Threshold |
| EU REACH Regulation (EC) No. 1907/2006 | Current ECHA Candidate List: JAN 2021 (211) Candidate List Declared Against: JAN 2021 (211) Does not contain REACH SVHC |
| Halogen Content | Not Low Halogen - contains Br or Cl > 900 ppm. |
| Solder Process Capability | Not applicable for solder process capability |

Product Compliance Disclaimer

This information is provided based on reasonable inquiry of our suppliers and represents our current actual knowledge based on the information they provided. This information is subject to change. The part numbers that TE has identified as EU RoHS compliant have a maximum concentration of 0.1% by weight in homogenous materials for lead, hexavalent chromium, mercury, PBB, PBDE, DBP, BBP, DEHP, DIBP, and 0.01% for cadmium, or qualify for an exemption to these limits as defined in the Annexes of Directive 2011/65/EU (RoHS2). Finished electrical and electronic equipment products will be CE marked as required by Directive 2011/65/EU. Components may not be CE marked. Additionally, the part numbers that TE has identified as EU ELV compliant have a maximum concentration of 0.1% by weight in homogenous materials for lead, hexavalent chromium, and mercury, and 0.01% for cadmium, or qualify for an exemption to these limits

as defined in the Annexes of Directive 2000/53/EC (ELV). Regarding the REACH Regulation, the information TE provides on SVHC in articles for this part number is based on the latest European Chemicals Agency (ECHA) 'Guidance on requirements for substances in articles' posted at this URL: <https://echa.europa.eu/guidance-documents/guidance-on-reach>

Compatible Parts

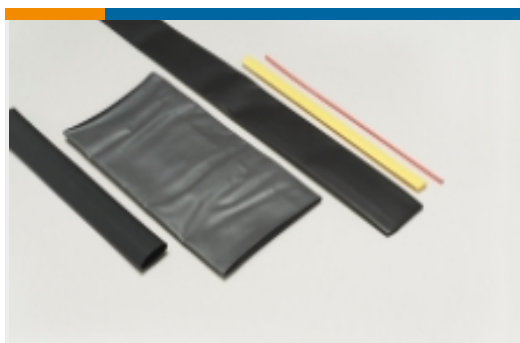


TE Part # CJ2087-000
HL2010E-KIT-120V



TE Part # EG1114-000
CV1981-ST-230V1600W-EU

Also in the Series | Raychem RNF-100

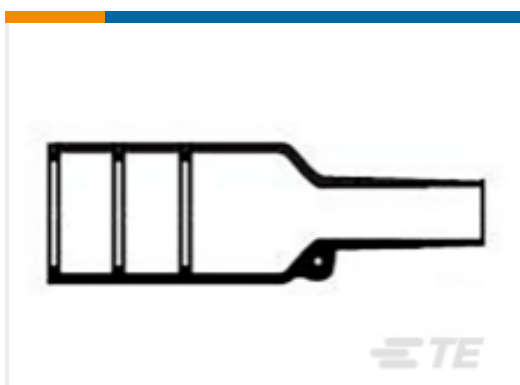


Heat Shrink Tubing(672)



Power Cable Tubing & Accessories(8)

Customers Also Bought



TE Part #820706-000
Bulbous Heat Shrink Boots: Lipped, Straight



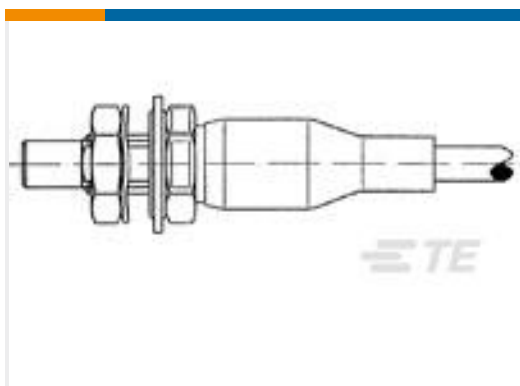
TE Part #699792-000
MTC100-JA2-S11



TE Part #5002183001
RAY-101-30.0(50)



TE Part #625144-000
D-128-04



TE Part #171071-000
DK-3716-E202-TS



TE Part #223817-000
ECS-0003



TE Part #699793-000
MTC100-JB2-S11



TE Part #0724863001
RAY-101-40.0(50)



Documents

Product Drawings

[RNF-100-4-9-STK](#)

English

Datasheets & Catalog Pages

[RNF-100 Pages from 9-1773447-9](#)

English

[Application Tooling for Raychem Heat Shrink Product](#)

English

Product Specifications

[Quality Specification](#)

English