



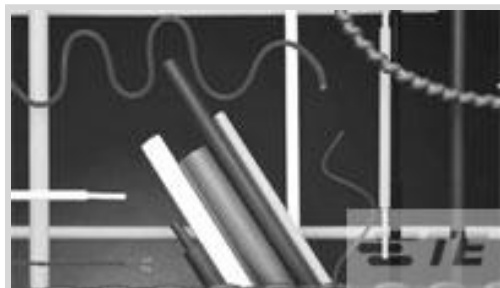
Raychem | Raychem CGPT

TE Internal #: 5068074011

Raychem CGPT, Heat Shrink Tubing, Red, Single Wall Type, 6.4 Expanded Inside Diameter (Min) .25 Expanded Inside Diameter (Min)

[View on TE.com >](#)

Heat Shrink Tubing > Single Wall CGPT Spool Heat Shrink Tubin



Primary Product Color: **Red**

Wall Type: **Single**

Expanded Inside Diameter (Min): **6.4 mm [.25 in]**

Recovered Inside Diameter (Max): **3.2 mm [.125 in]**

Shrink Ratio: **2:1**

[All Single Wall CGPT Spool Heat Shrink Tubin \(186\)](#)

Features

Product Type Features

Product Family	CGPT
Wall Type	Single

Electrical Characteristics

Voltage (Max)	.6 kV
---------------	-------

Body Features

Fluid Type	Gasoline, Hydraulic Fluid, Lubricating Oil
Primary Product Color	Red
Shrink Ratio	2:1
Primary Product Material	Irradiated Modified Polyolefin
Flexibility	Flexible

Dimensions

Recovered Wall Thickness (Tolerance)	.15 mm[.006 in]
Recovered Wall Thickness (Nominal)	.65 mm[.026 in]
Expanded Inside Diameter (Min)	6.4 mm[.25 in]
Recovered Inside Diameter (Max)	3.2 mm[.125 in]
Heat Shrink Tubing Size Range	3.2 – 6.4 mm[.125 – .25 in]



Usage Conditions

Fluid Resistance	Splash Protection
Shrink Temperature (Min)	80 °C
Heat Shrink Tubing Flammability	Flame-Retardant
Operating Temperature Range	-40 – 135 °C
Heat Shrink Tubing Resistance	Fluids, Mechanical Damage, Strain
Recovery Temperature	120 °C

Product Availability

Applicable Region	Asia, EMEA
-------------------	------------

Packaging Features

Packaging Method	Box
------------------	-----

Other

Meets Low Outgassing Requirements	No
Product Source	Czech Republic

Product Compliance

[For compliance documentation, visit the product page on TE.com>](#)

EU RoHS Directive 2011/65/EU	Compliant
EU ELV Directive 2000/53/EC	Compliant
China RoHS 2 Directive MIIT Order No 32, 2016	No Restricted Materials Above Threshold
EU REACH Regulation (EC) No. 1907/2006	Current ECHA Candidate List: JAN 2021 (211) Candidate List Declared Against: JAN 2021 (211) Does not contain REACH SVHC
Halogen Content	Not Low Halogen - contains Br or Cl > 900 ppm.
Solder Process Capability	Not applicable for solder process capability

Product Compliance Disclaimer

This information is provided based on reasonable inquiry of our suppliers and represents our current actual knowledge based on the information they provided. This information is subject to change. The part numbers that TE has identified as EU RoHS compliant have a maximum concentration of 0.1% by weight in homogenous materials for lead, hexavalent chromium, mercury, PBB, PBDE, DBP, BBP, DEHP, DIBP, and 0.01% for cadmium, or qualify for an exemption to these limits as defined in the Annexes of Directive 2011/65/EU (RoHS2). Finished electrical and electronic equipment products will be CE marked as required by Directive 2011/65/EU. Components may not be CE marked. Additionally, the part numbers that TE has identified as EU ELV compliant have a maximum concentration of 0.1% by weight in homogenous materials for lead, hexavalent chromium, and mercury, and 0.01% for cadmium, or qualify for an exemption to these limits as defined in the Annexes of Directive 2000/53/EC (ELV). Regarding the REACH Regulation, the information TE provides

on SVHC in articles for this part number is based on the latest European Chemicals Agency (ECHA) 'Guidance on requirements for substances in articles' posted at this URL: <https://echa.europa.eu/guidance-documents/guidance-on-reach>

Also in the Series | Raychem CGPT

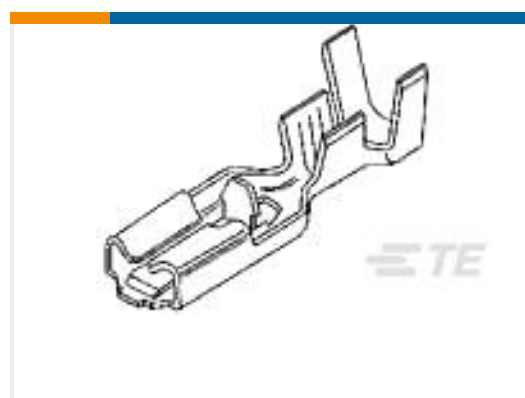


Heat Shrink Tubing(316)



Power Cable Tubing & Accessories(93)

Customers Also Bought



TE Part #173690-1
PL 187 TERMINAL 24-20 AWG 0.3 X 14.0



TE Part #160684-4
FF 110 REC 0.5-1.0MM2 TPBR



TE Part #036952-000
STD SNAP-ON MARKERS



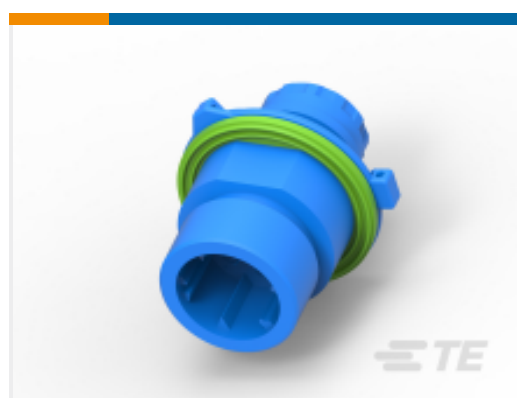
TE Part #1-926475-0
MOD 4 HSG



TE Part #1670144-2
MCON, RECEPTACLE AND TAB



TE Part #1-2141846-2
AMP MCP BACKSHELLS



TE Part #1718232-1
CIRCULAR DIN HOUSINGS



TE Part #9395153002
FLHTC0311-26-1



TE Part #1642053002
FLHTC0311-26-8



TE Part #0692813001
FLHTC0311-26-0

Documents

Product Drawings
CGPT-6.4/3.2-2-SP

English



Datasheets & Catalog Pages

[Application Tooling for Raychem Heat Shrink Product](#)

English

[CGPT Pages from 9-1773447-9](#)

English

Product Specifications

[Quality Specification](#)

English