

RNF-100-1/16-X-SP ✓ ACTIVE

Raychem | Raychem RNF-100

TE Internal #: 5070024018

Raychem RNF-100, Heat Shrink Tubing, Clear, Single Wall Type, 1.6 Expanded Inside Diameter (Min) .063 Expanded Inside Diameter (Min)

[View on TE.com >](#)



Heat Shrink Tubing



Primary Product Color: **Clear**

Wall Type: **Single**

Expanded Inside Diameter (Min): **1.6 mm [.063 in]**

Recovered Inside Diameter (Max): **.8 mm [.031 in]**

Shrink Ratio: **2:1**

Features

Product Type Features

Product Family	RNF-100
Wall Type	Single

Electrical Characteristics

Voltage (Max)	.6 kV
---------------	-------

Body Features

Fluid Type	Gasoline, Hydraulic Fluid, Lubricating Oil, Water
Primary Product Color	Clear
Shrink Ratio	2:1
Primary Product Material	Irradiated Modified Polyolefin
Flexibility	Flexible

Dimensions

Recovered Wall Thickness (Tolerance)	.2 mm[.008 in]
Recovered Wall Thickness (Nominal)	.45 mm[.018 in]
Expanded Inside Diameter (Min)	1.6 mm[.063 in]
Recovered Inside Diameter (Max)	.8 mm[.031 in]
Heat Shrink Tubing Size Range	.8 – 1.6 mm[.031 – .063 in]

Usage Conditions



Fluid Resistance	Splash Protection
Shrink Temperature (Min)	95 °C
Heat Shrink Tubing Flammability	Non-Flame-Retardant
Operating Temperature Range	-55 – 135 °C
Heat Shrink Tubing Resistance	Abrasion, Fluids, Mechanical Damage, Strain
Recovery Temperature	121 °C

Product Availability

Applicable Region	Global
-------------------	--------

Packaging Features

Packaging Method	Box
------------------	-----

Other

Meets Low Outgassing Requirements	No
Product Source	Czech Republic

Product Compliance

[For compliance documentation, visit the product page on TE.com>](#)

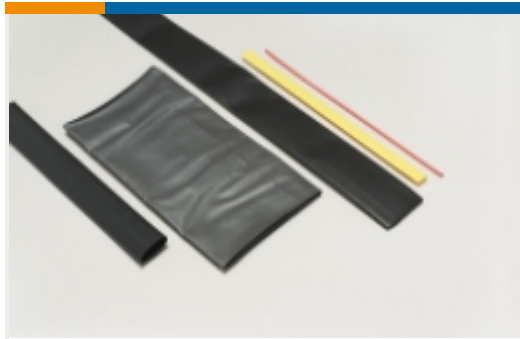
EU RoHS Directive 2011/65/EU	Compliant
EU ELV Directive 2000/53/EC	Compliant
China RoHS 2 Directive MIIT Order No 32, 2016	No Restricted Materials Above Threshold
EU REACH Regulation (EC) No. 1907/2006	Current ECHA Candidate List: JAN 2021 (211) Candidate List Declared Against: JAN 2021 (211) Does not contain REACH SVHC
Halogen Content	Low Halogen - Br, Cl, F, I < 900 ppm per homogenous material. Also BFR/CFR/PVC Free
Solder Process Capability	Not applicable for solder process capability

Product Compliance Disclaimer

This information is provided based on reasonable inquiry of our suppliers and represents our current actual knowledge based on the information they provided. This information is subject to change. The part numbers that TE has identified as EU RoHS compliant have a maximum concentration of 0.1% by weight in homogenous materials for lead, hexavalent chromium, mercury, PBB, PBDE, DBP, BBP, DEHP, DIBP, and 0.01% for cadmium, or qualify for an exemption to these limits as defined in the Annexes of Directive 2011/65/EU (RoHS2). Finished electrical and electronic equipment products will be CE marked as required by Directive 2011/65/EU. Components may not be CE marked. Additionally, the part numbers that TE has identified as EU ELV compliant have a maximum concentration of 0.1% by weight in homogenous materials for lead, hexavalent chromium, and mercury, and 0.01% for cadmium, or qualify for an exemption to these limits as defined in the Annexes of Directive 2000/53/EC (ELV). Regarding the REACH Regulation, the information TE provides

on SVHC in articles for this part number is based on the latest European Chemicals Agency (ECHA) 'Guidance on requirements for substances in articles' posted at this URL: <https://echa.europa.eu/guidance-documents/guidance-on-reach>

Also in the Series | Raychem RNF-100

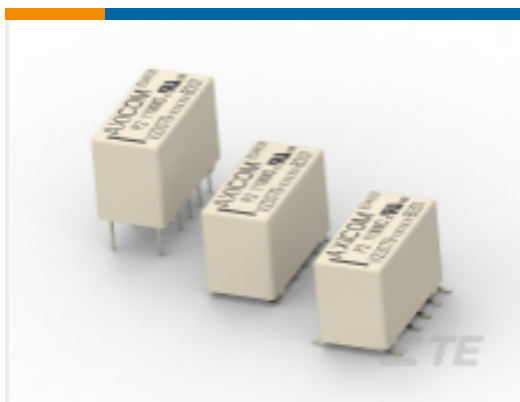


Heat Shrink Tubing(672)



Power Cable Tubing & Accessories(8)

Customers Also Bought



TE Part #1-1393788-1
AXICOM P2 STANDARD



TE Part #D15532-000
HX-SCE LOW FIRE HAZARD SLEEVES



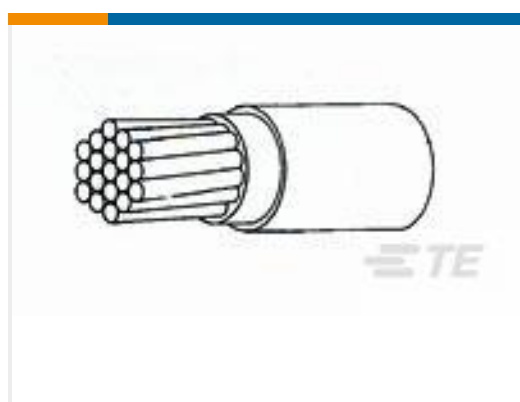
TE Part #2-1623927-3
CFR16 5% 1K0



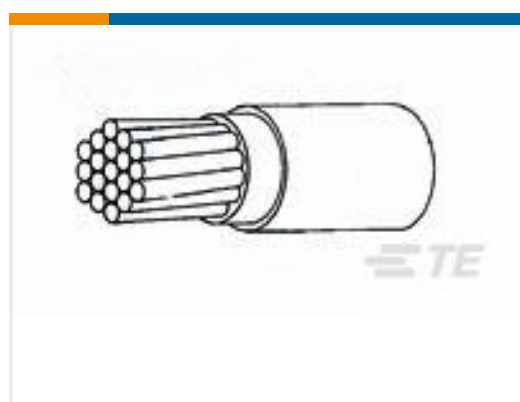
TE Part #2023374003
ZHTM: Heat Shrink Tubing, 2:1 Shrink Ratio



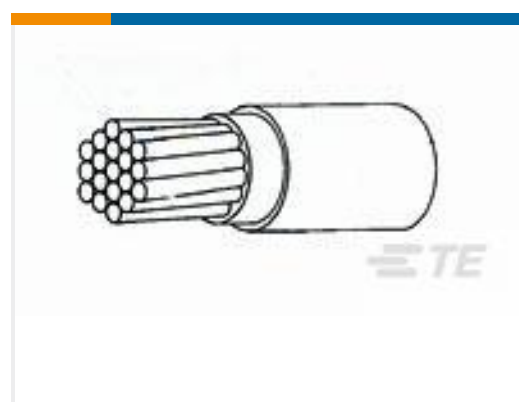
TE Part #3822863005
44A1121-22-2/6-9



TE Part #2822633004
44A0111-12-2



TE Part #2820273008
44A0111-20-7



TE Part #2857573007
44A0111-26-7



TE Part #1801356-1
ROTATIVE COVER, RIGHT ANGLE,
2W HP CONN



TE Part #1478884-8
METRIC EMC GLAND M63X1.5

Documents

[Datasheets & Catalog Pages](#)
[RNF-100 Pages from 9-1773447-9](#)

English



[Application Tooling for Raychem Heat Shrink Product](#)

English

[Flexible, Flame-Retardant, High Performance, Polyolefin Heat-Shrinkable Tubing](#)

English

[Measuring_Single_Wall_Tubing](#)

English

[Selecting_Correct_Tubing](#)

English

[Product Specifications](#)

[Quality Specification](#)

English

[Product Environmental Compliance](#)

[Safety Datasheet](#)

[Safety Datasheet](#)

German

[Safety Datasheet](#)

English

[Safety Datasheet](#)

English

[Safety Datasheet](#)

English

[Safety Datasheet](#)

English

[Safety Datasheet](#)

[Safety Datasheet](#)

[Safety Datasheet](#)

French

[Safety Datasheet](#)

[Safety Datasheet](#)

[Safety Datasheet](#)

[Safety Datasheet](#)