



DIPLOMATE 800 Series

TE Internal #: 5-1571552-2

TE Internal Description: 840-AG11D-ES-LF=800 DIP,AU/SN

DIP Socket: Standard, Stamped & Formed, Open, Gold

[View on TE.com >](#)



All DIP Socket: Standard, Stamped & Formed, Open, Gold (4)

Product Compliance

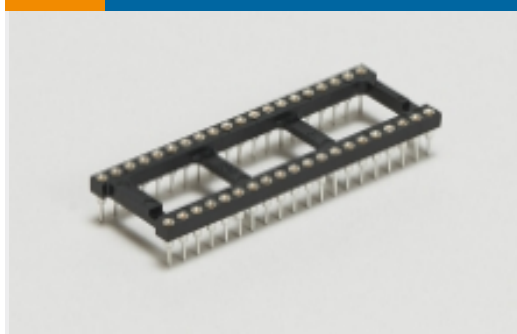
[For compliance documentation, visit the product page on TE.com>](#)

EU RoHS Directive 2011/65/EU	Compliant
EU ELV Directive 2000/53/EC	Compliant
China RoHS 2 Directive MIIT Order No 32, 2016	No Restricted Materials Above Threshold
EU REACH Regulation (EC) No. 1907/2006	Current ECHA Candidate List: JAN 2021 (211) Candidate List Declared Against: JAN 2021 (211) Does not contain REACH SVHC
Halogen Content	Not Low Halogen - contains Br or Cl > 900 ppm.
Solder Process Capability	Wave solder capable to 265°C

Product Compliance Disclaimer

This information is provided based on reasonable inquiry of our suppliers and represents our current actual knowledge based on the information they provided. This information is subject to change. The part numbers that TE has identified as EU RoHS compliant have a maximum concentration of 0.1% by weight in homogenous materials for lead, hexavalent chromium, mercury, PBB, PBDE, DBP, BBP, DEHP, DIBP, and 0.01% for cadmium, or qualify for an exemption to these limits as defined in the Annexes of Directive 2011/65/EU (RoHS2). Finished electrical and electronic equipment products will be CE marked as required by Directive 2011/65/EU. Components may not be CE marked. Additionally, the part numbers that TE has identified as EU ELV compliant have a maximum concentration of 0.1% by weight in homogenous materials for lead, hexavalent chromium, and mercury, and 0.01% for cadmium, or qualify for an exemption to these limits as defined in the Annexes of Directive 2000/53/EC (ELV). Regarding the REACH Regulation, the information TE provides on SVHC in articles for this part number is based on the latest European Chemicals Agency (ECHA) 'Guidance on requirements for substances in articles' posted at this URL: <https://echa.europa.eu/guidance-documents/guidance-on-reach>

Also in the Series | DIPLOMATE 800 Series



DIP Sockets(5)

Customers Also Bought



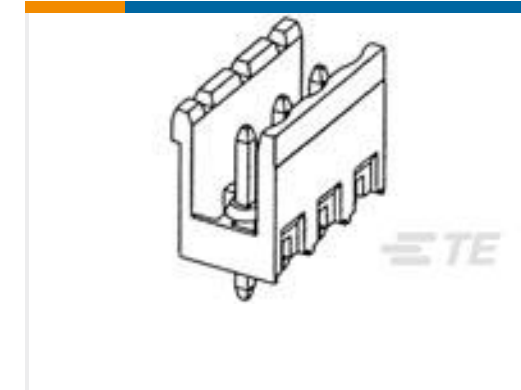
TE Part #3-647630-7
Polyester Right Angle PCB Header:
2.54mm, Unshrouded, MTA 100



TE Part #1734037-4
Champ 050 series,40pos,Au over PdNi



TE Part #103185-2
02 MODII HDR SRST B/A .100CL



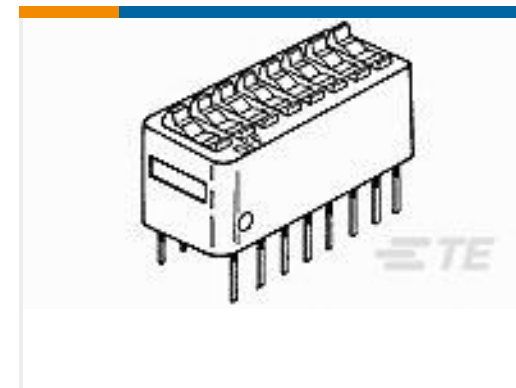
TE Part #282822-8
TERMI-BLOK HEADER, ASSY90 8P.



TE Part #9-1437562-1
TTE11EGPC9T1/4ES=WATERTIGHT TT



TE Part #102320-1
Universal Headers: Ejector Latch



TE Part #3-5435640-6
DIP SW 5 POSN SEALED



TE Part #2-1571552-5
DIP Socket: Standard, Stamped &
Formed, Open, Gold

Documents

Product Drawings

840-AG11D-ES-LF=800 DIP,AU/SN

English

CAD Files

3D PDF

3D

Customer View Model

[ENG_CVM_CVM_5-1571552-2_E.2d_dxf.zip](#)

English

Customer View Model

[ENG_CVM_CVM_5-1571552-2_E.3d_igs.zip](#)

English

Customer View Model

[ENG_CVM_CVM_5-1571552-2_E.3d_stp.zip](#)



English

By downloading the CAD file I accept and agree to the [Terms and Conditions](#) of use.

[Datasheets & Catalog Pages](#)

[DIP Sockets Quick Reference Guide \(EN\)](#)

English