



Raychem | Raychem LSTT

TE Internal #: 5428156144

Raychem LSTT, Heat Shrink Tubing, Black, Single Wall Type, 19 Expanded Inside Diameter (Min) .748 Expanded Inside Diameter (Min)

[View on TE.com >](#)

Heat Shrink Tubing



Primary Product Color: **Black**

Wall Type: **Single**

Expanded Inside Diameter (Min): **19 mm [ .748 in ]**

Recovered Inside Diameter (Max): **9.5 mm [ .375 in ]**

Shrink Ratio: **2:1**

## Features

### Product Type Features

|                |        |
|----------------|--------|
| Product Family | LSTT   |
| Wall Type      | Single |

### Electrical Characteristics

|               |       |
|---------------|-------|
| Voltage (Max) | .6 kV |
|---------------|-------|

### Body Features

|                          |  |
|--------------------------|--|
| Fluid Type               | Antifreeze, Battery Acid, Diesel Fuel, Gasoline, Hydraulic Fluid, Lubricating Oil, Water |
| Primary Product Color    | Black  |
| Shrink Ratio             | 2:1  |
| Primary Product Material | Irradiated Modified Polyolefin   |
| Flexibility              | Very Flexible  |

### Dimensions

|                                      |                             |
|--------------------------------------|-----------------------------|
| Recovered Wall Thickness (Tolerance) | .15 mm[.006 in]             |
| Cut Length                           | 170 mm[6.693 in]            |
| Recovered Wall Thickness (Nominal)   | .8 mm[.031 in]              |
| Expanded Inside Diameter (Min)       | 19 mm[.748 in]              |
| Recovered Inside Diameter (Max)      | 9.5 mm[.375 in]             |
| Heat Shrink Tubing Size Range        | 9.5 – 19 mm[.375 – .748 in] |



### Usage Conditions

|                                 |                            |
|---------------------------------|----------------------------|
| Fluid Resistance                | Splash Protection          |
| Shrink Temperature (Min)        | 65 °C                      |
| Heat Shrink Tubing Flammability | Non-Flame-Retardant        |
| Operating Temperature Range     | -40 – 125 °C, -40 – 125 °C |
| Heat Shrink Tubing Resistance   | Mechanical Damage          |
| Recovery Temperature            | 110 °C                     |

### Product Availability

|                   |        |
|-------------------|--------|
| Applicable Region | Global |
|-------------------|--------|

### Packaging Features

|                  |     |
|------------------|-----|
| Packaging Method | Box |
|------------------|-----|

### Other

|                                   |                |
|-----------------------------------|----------------|
| Meets Low Outgassing Requirements | No             |
| Product Source                    | Czech Republic |

### Product Compliance

[For compliance documentation, visit the product page on TE.com>](#)

|   |   |
|---|---|
| EU RoHS Directive 2011/65/EU                  | Compliant   |
| EU ELV Directive 2000/53/EC                   | Compliant   |
| China RoHS 2 Directive MIIT Order No 32, 2016 | No Restricted Materials Above Threshold   |
| EU REACH Regulation (EC) No. 1907/2006        | Current ECHA Candidate List: JAN 2021 (211)<br>Candidate List Declared Against: JAN 2021 (211)<br>Does not contain REACH SVHC |
| Halogen Content                               | BFR/CFR/PVC Free, but Br/Cl >900 ppm in other sources.  |
| Solder Process Capability                     | Not applicable for solder process capability  |

#### Product Compliance Disclaimer

This information is provided based on reasonable inquiry of our suppliers and represents our current actual knowledge based on the information they provided. This information is subject to change. The part numbers that TE has identified as EU RoHS compliant have a maximum concentration of 0.1% by weight in homogenous materials for lead, hexavalent chromium, mercury, PBB, PBDE, DBP, BBP, DEHP, DIBP, and 0.01% for cadmium, or qualify for an exemption to these limits as defined in the Annexes of Directive 2011/65/EU (RoHS2). Finished electrical and electronic equipment products will be CE marked as required by Directive 2011/65/EU. Components may not be CE marked. Additionally, the part numbers that TE has identified as EU ELV compliant have a maximum concentration of 0.1% by weight in homogenous materials for lead, hexavalent chromium, and mercury, and 0.01% for cadmium, or qualify for an exemption to these limits as defined in the Annexes of Directive 2000/53/EC (ELV). Regarding the REACH Regulation, the information TE provides

on SVHC in articles for this part number is based on the latest European Chemicals Agency (ECHA) 'Guidance on requirements for substances in articles' posted at this URL: <https://echa.europa.eu/guidance-documents/guidance-on-reach>

## Compatible Parts

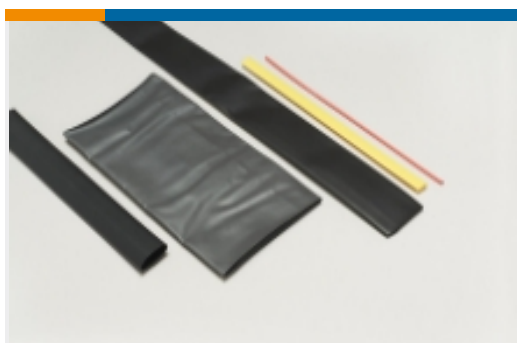


TE Part # CJ2087-000  
HL2010E-KIT-120V



TE Part # EG1114-000  
CV1981-ST-230V1600W-EU

## Also in the Series | Raychem LSTT



Heat Shrink Tubing(143)

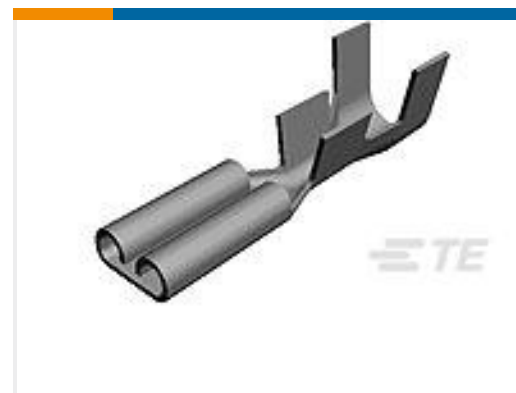
## Customers Also Bought



TE Part #208470-3  
CMC SERIES 1



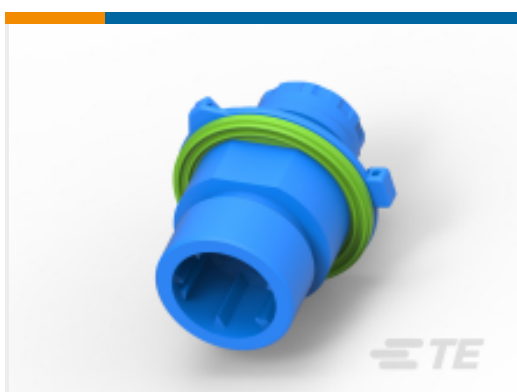
TE Part #2273101-1  
M12 A-CODE FEMALE R/A PIGTAIL



TE Part #5-160490-3  
FASTON 187 RECEPTACLE 0.5-1.5  
MM2 TPPHBZ



TE Part #521209-1  
POSI-LOK HSG.250-7 POS RAST5



TE Part #1241598-1  
CIRCULAR DIN HOUSINGS



TE Part #1-776087-5  
AMPSEAL HEADERS



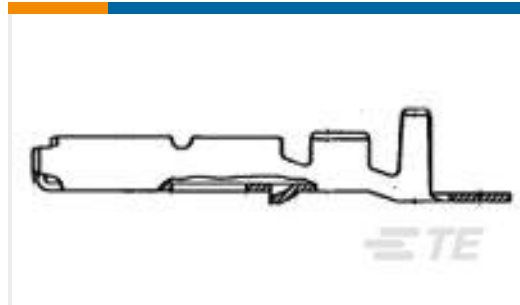
TE Part #3-962340-1  
TIMER, CONNECTOR HOUSING



TE Part #EJ18976001  
LSTT-19-0-150MM



TE Part #5428156008  
LSTT-19-0-315MM



TE Part #172776-4  
MIC MK-2 REC CONTACT LP

## Documents

### Product Drawings

[LSTT-19-0-170MM](#)

English

### Datasheets & Catalog Pages

[LSTT Pages from 9-1773447-9](#)

English

[Application Tooling for Raychem Heat Shrink Product](#)

English

### Product Specifications

[Quality Specification](#)

English

### Product Environmental Compliance

[Safety Datasheet](#)

[Safety Datasheet](#)

German

[Safety Datasheet](#)

English

[Safety Datasheet](#)

English

[Safety Datasheet](#)

English

[Safety Datasheet](#)

English

[Safety Datasheet](#)

[Safety Datasheet](#)

[Safety Datasheet](#)

French

[Safety Datasheet](#)

[Safety Datasheet](#)

[Safety Datasheet](#)

LSTT-19-0-170MM

Raychem LSTT, Heat Shrink Tubing, Black, Single Wall Type, 19 Expanded Inside Diameter (Min) .748 Expanded Inside Diameter (Min)



## [Safety Datasheet](#)