



Identification & Labeling > Printable Tubing > HT-SCE HIGH TEMPERATURE SLEEVES



Printable Tubing Type: **Ladder**

Printable Tubing Grade: **High Temperature**

Printable Tubing Shrink Ratio: **3:1**

Primary Product Color: **White**

Markers per Sleeve: 1

[All HT-SCE HIGH TEMPERATURE SLEEVES \(55\)](#)

## Features

### Product Type Features

Printable Tubing Type	Ladder
Printable Tubing Grade	High Temperature

### Body Features

Printable Tubing Shrink Ratio	3:1
Primary Product Color	White
Markers per Sleeve	1

### Dimensions

Product Length	50 mm[2 in]
Supplied Inner Diameter	2.4 mm[.093 in]
Recovered Inside Diameter	.79 mm[.031 in]
Compatible Cable Diameter Range	.8 – 1.9 mm[.032 – .075 in]

### Usage Conditions

Operating Temperature Range	-55 – 225 °C[-67 – 437 °F]
-----------------------------	----------------------------

### Operation/Application

Recommended Ribbon	See TE Document 411-121005 the Printer Product Ribbon Matrix
--------------------	--

### Printer/Label Features



Recommended Printer	See TE Document 411-121005 the Printer Product Ribbon Matrix
---------------------	--

Printer Technology	Thermal Transfer
--------------------	------------------

**Packaging Features**

Packaging Quantity	250
--------------------	-----

**Product Compliance**

[For compliance documentation, visit the product page on TE.com>](#)

EU RoHS Directive 2011/65/EU	Compliant
------------------------------	-----------

EU ELV Directive 2000/53/EC	Compliant
-----------------------------	-----------

China RoHS 2 Directive MIIT Order No 32, 2016	No Restricted Materials Above Threshold
---	---

EU REACH Regulation (EC) No. 1907/2006	Current ECHA Candidate List: JAN 2021 (211) Candidate List Declared Against: JAN 2021 (211) Does not contain REACH SVHC
--	---

Halogen Content	Not Yet Reviewed for halogen content
-----------------	--------------------------------------

Solder Process Capability	Not applicable for solder process capability
---------------------------	--

Product Compliance Disclaimer

This information is provided based on reasonable inquiry of our suppliers and represents our current actual knowledge based on the information they provided. This information is subject to change. The part numbers that TE has identified as EU RoHS compliant have a maximum concentration of 0.1% by weight in homogenous materials for lead, hexavalent chromium, mercury, PBB, PBDE, DBP, BBP, DEHP, DIBP, and 0.01% for cadmium, or qualify for an exemption to these limits as defined in the Annexes of Directive 2011/65/EU (RoHS2). Finished electrical and electronic equipment products will be CE marked as required by Directive 2011/65/EU. Components may not be CE marked. Additionally, the part numbers that TE has identified as EU ELV compliant have a maximum concentration of 0.1% by weight in homogenous materials for lead, hexavalent chromium, and mercury, and 0.01% for cadmium, or qualify for an exemption to these limits as defined in the Annexes of Directive 2000/53/EC (ELV). Regarding the REACH Regulation, the information TE provides on SVHC in articles for this part number is based on the latest European Chemicals Agency (ECHA) 'Guidance on requirements for substances in articles' posted at this URL: <https://echa.europa.eu/guidance-documents/guidance-on-reach>

**Compatible Parts**



TE Part # 1-2186500-1  
T3212-PRINTER



TE Part # 1-2186502-1  
T3224-PRINTER



TE Part # 1-2186503-1  
T3224-SWARE-PRINTER



TE Part # CP8122-000  
T6112DS-PRINTER



TE Part # 754073-000  
TMS-RJS-RIBBON-4HT

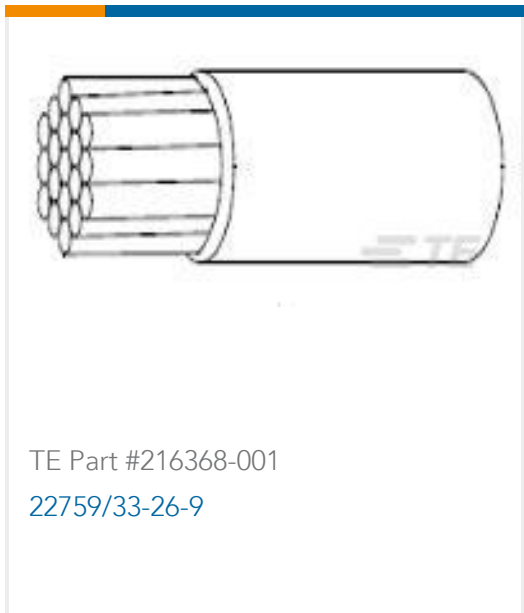


TE Part # 1-2186501-1  
T3212-SWARE-PRINTER

### Customers Also Bought



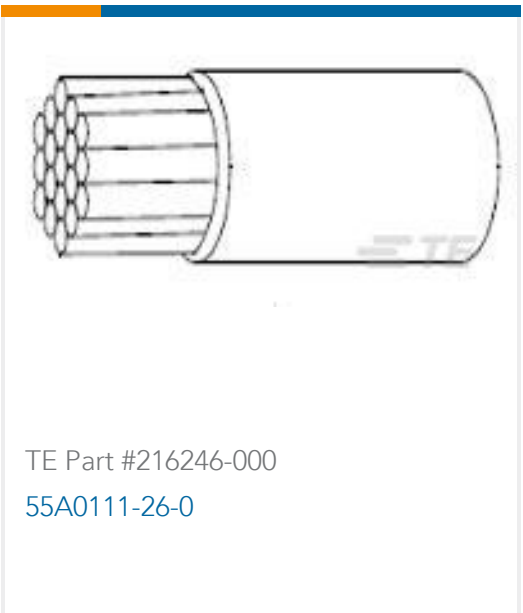
TE Part #3206430001  
HT-SCE HIGH TEMPERATURE SLEEVES



TE Part #216368-001  
22759/33-26-9



TE Part #206505-4  
RECEPT ASSY,78 POSN,AMPLIMITE



TE Part #216246-000  
55A0111-26-0



TE Part #216787-000  
SO96-3-55-22-90



TE Part #216012-005  
55A0111-22-0



TE Part #206498-4  
PLUG ASSY,15 POSN,AMPLIMITE



TE Part #206804-2  
PLUG ASSY,50 POSN,AMPLIMITE



TE Part #1925224-9  
TMN2N025SC2DM018T = M32139/04-D05TNS



TE Part #YD369-HR33-NP00000  
369 HARSH 3 WAY REC, PIN - BACC65CR1PN

### Documents

#### Product Drawings

[HT-SCE-3/32-2.0-9](#)

English

#### Datasheets & Catalog Pages

[HT-SCE Heat Shrinkable Sleeves](#)

English

[IDENTIFICATION SELECTION GUIDE](#)

English



---

## Product Specifications

### Product Specification

English

---

## Instruction Sheets

### Instruction Sheet (non U.S.)

English