



Heat Shrink Tubing > RNF-3000 Single Wall Spool HS Tubing

Primary Product Color: **Gray**Wall Type: **Single**Expanded Inside Diameter (Min): **6 mm [.236 in]**Recovered Inside Diameter (Max): **2 mm [.079 in]**Shrink Ratio: **3:1**[All RNF-3000 Single Wall Spool HS Tubing \(91\)](#)

Features

Product Type Features

Product Family	RNF-3000
Wall Type	Single

Electrical Characteristics

Voltage (Max)	.6 kV
---------------	-------

Body Features

Fluid Type	Gasoline, Hydraulic Fluid, Lubricating Oil, Water
Primary Product Color	Gray
Shrink Ratio	3:1
Primary Product Material	Irradiated Modified Polyolefin
Flexibility	Flexible

Dimensions

Recovered Wall Thickness (Tolerance)	.1 mm[.003 in]
Recovered Wall Thickness (Nominal)	.65 mm[.026 in]
Expanded Inside Diameter (Min)	6 mm[.236 in]
Recovered Inside Diameter (Max)	2 mm[.079 in]
Heat Shrink Tubing Size Range	2 – 6 mm[.079 – .236 in]



Usage Conditions

Fluid Resistance	Splash Protection
Shrink Temperature (Min)	80 °C
Heat Shrink Tubing Flammability	Flame-Retardant
Operating Temperature Range	-55 – 135 °C
Heat Shrink Tubing Resistance	Abrasion, Fluids, Mechanical Damage, Strain
Recovery Temperature	120 °C

Product Availability

Applicable Region	Global
-------------------	--------

Packaging Features

Packaging Method	Reel
------------------	------

Other

Meets Low Outgassing Requirements	No
Product Source	Czech Republic

Product Compliance

[For compliance documentation, visit the product page on TE.com>](#)

EU RoHS Directive 2011/65/EU	Compliant
EU ELV Directive 2000/53/EC	Compliant
China RoHS 2 Directive MIIT Order No 32, 2016	No Restricted Materials Above Threshold
EU REACH Regulation (EC) No. 1907/2006	Current ECHA Candidate List: JAN 2021 (211) Candidate List Declared Against: JAN 2021 (211) Does not contain REACH SVHC
Halogen Content	Not Low Halogen - contains Br or Cl > 900 ppm.
Solder Process Capability	Not applicable for solder process capability

Product Compliance Disclaimer

This information is provided based on reasonable inquiry of our suppliers and represents our current actual knowledge based on the information they provided. This information is subject to change. The part numbers that TE has identified as EU RoHS compliant have a maximum concentration of 0.1% by weight in homogenous materials for lead, hexavalent chromium, mercury, PBB, PBDE, DBP, BBP, DEHP, DIBP, and 0.01% for cadmium, or qualify for an exemption to these limits as defined in the Annexes of Directive 2011/65/EU (RoHS2). Finished electrical and electronic equipment products will be CE marked as required by Directive 2011/65/EU. Components may not be CE marked. Additionally, the part numbers that TE has identified as EU ELV compliant have a maximum concentration of 0.1% by weight in homogenous materials for lead, hexavalent chromium, and mercury, and 0.01% for cadmium, or qualify for an exemption to these limits

as defined in the Annexes of Directive 2000/53/EC (ELV). Regarding the REACH Regulation, the information TE provides on SVHC in articles for this part number is based on the latest European Chemicals Agency (ECHA) 'Guidance on requirements for substances in articles' posted at this URL: <https://echa.europa.eu/guidance-documents/guidance-on-reach>

Compatible Parts

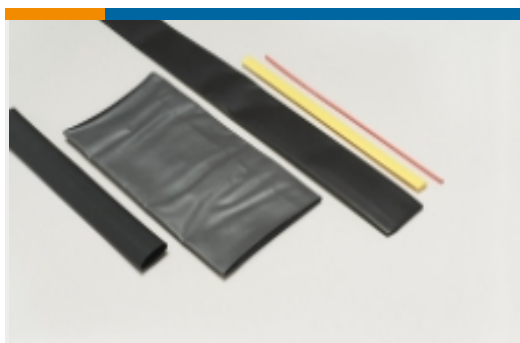


TE Part # CJ2087-000
HL2010E-KIT-120V



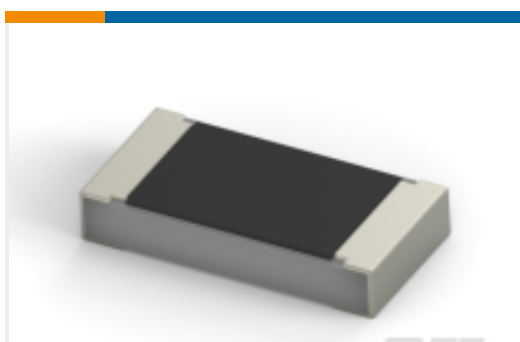
TE Part # EG1114-000
CV1981-ST-230V1600W-EU

Also in the Series | Raychem RNF-3000



Heat Shrink Tubing(212)

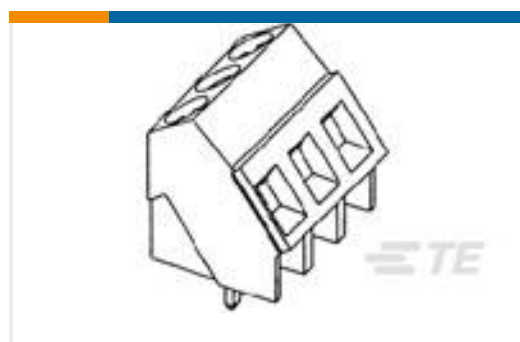
Customers Also Bought



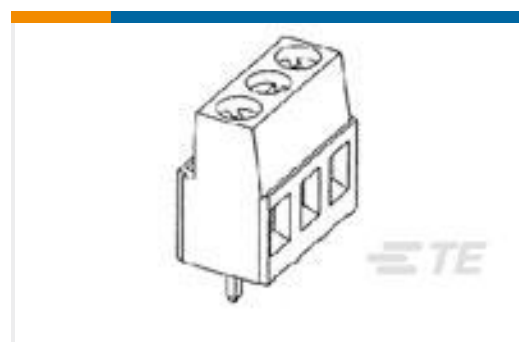
TE Part #7-2176230-5
SMD Power Resistor: 3 Watt, 5% Tol



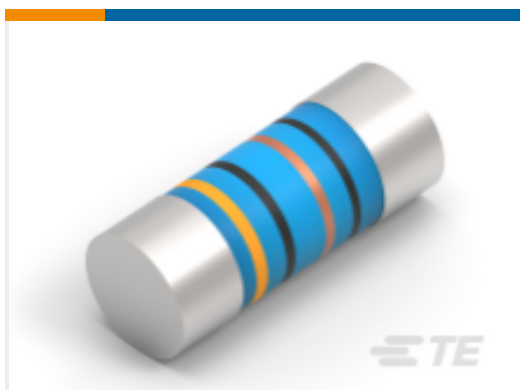
TE Part #1879447-2
Wirewound Resistor: Mineral, 2.5 Kw



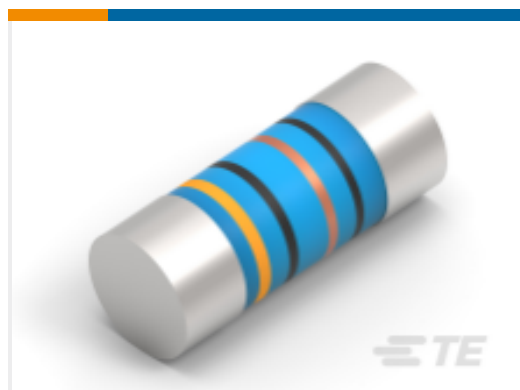
TE Part #1-282847-2
TERMI-BLOK PCB MOUNT 35 12P.



TE Part #2-282856-8
TERMI-BLOK PCB MOUNT 2P, 7.0mm



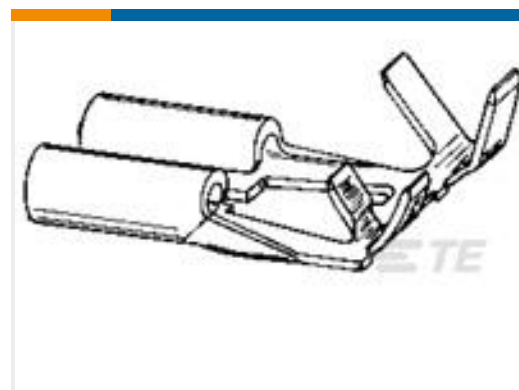
TE Part #2-2176316-9
MELF SMA_A 22K 0.1% 15PPM 0207 1W



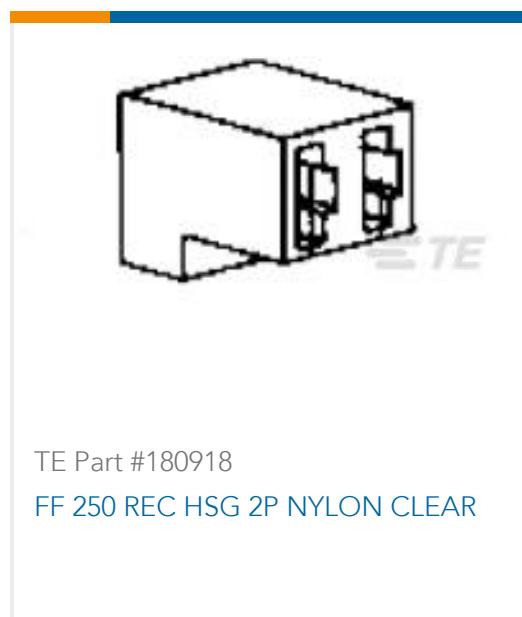
TE Part #2176316-7
MELF SMA_A 330R 0.1% 15PPM 0207 1W



TE Part #1859304003
RNF-3000 Single Wall Spool HS Tubing



TE Part #180398-2
FF 250 REC 1-2.5MM2 TPBR



Documents

Product Drawings

[RNF-3000-6/2-8-SP](#)

English

Datasheets & Catalog Pages

[RNF-3000 Pages from 9-1773447-9](#)

English

[Application Tooling for Raychem Heat Shrink Product](#)

English

[Measuring_Single_Wall_Tubing](#)

English

[Selecting_Correct_Tubing](#)

English

Product Specifications

[Quality Specification](#)

English

Product Environmental Compliance

[Safety Datasheet](#)

[Safety Datasheet](#)

German

[Safety Datasheet](#)

English

[Safety Datasheet](#)

English

[Safety Datasheet](#)

English

[Safety Datasheet](#)

English

[Safety Datasheet](#)

[Safety Datasheet](#)

[Safety Datasheet](#)



French

[Safety Datasheet](#)

[Safety Datasheet](#)

[Safety Datasheet](#)

[Safety Datasheet](#)