



Heat Shrink Tubing > Single Wall SFR: Heat Shrink Tubing, 1.75:1 Shrink Ratio



Primary Product Color: **Black**

Wall Type: **Single**

Expanded Inside Diameter (Min): **9.53 mm [.375 in]**

Recovered Inside Diameter (Max): **5.4 mm [.213 in]**

Shrink Ratio: **1.75:1**

[All Single Wall SFR: Heat Shrink Tubing, 1.75:1 Shrink Ratio \(13\)](#)

Features

Product Type Features

Product Family	SFR
Wall Type	Single

Electrical Characteristics

Voltage (Max)	.6 kV
---------------	-------

Body Features

Fluid Type	Aviation Fuel, Brake Fluid, Hydraulic Fluid, Lubricating Oil, Water
Primary Product Color	Black
Shrink Ratio	1.75:1
Primary Product Material	Crosslinked Silicone Elastomer
Flexibility	Very Flexible

Dimensions

Recovered Wall Thickness (Nominal)	1.02 mm[.04 in]
Expanded Inside Diameter (Min)	9.53 mm[.375 in]
Recovered Inside Diameter (Max)	5.4 mm[.213 in]

Usage Conditions

Fluid Resistance	Splash Protection
------------------	-------------------



Shrink Temperature (Min)	175 °C
Heat Shrink Tubing Flammability	Flame-Retardant
Operating Temperature Range	-75 – 180 °C
Heat Shrink Tubing Resistance	Fluids, Strain
Recovery Temperature	175 °C

Product Availability

Applicable Region	Worldwide
-------------------	-----------

Packaging Features

Packaging Method	Piece
------------------	-------

Other

Meets Low Outgassing Requirements	No
Product Source	US

Product Compliance

[For compliance documentation, visit the product page on TE.com>](#)

EU RoHS Directive 2011/65/EU	Compliant
EU ELV Directive 2000/53/EC	Compliant
China RoHS 2 Directive MIIT Order No 32, 2016	No Restricted Materials Above Threshold
EU REACH Regulation (EC) No. 1907/2006	Current ECHA Candidate List: JAN 2021 (211) Candidate List Declared Against: JAN 2021 (211) SVHC > Threshold: Octamethylcyclotetrasiloxane (D4) (.24%) Article Safe Usage Statements: Wash thoroughly after handling. Recycle if possible and dispose of the article by following all applicable governmental regulations relevant to your geographic location.
Halogen Content	Low Bromine/Chlorine - Br and Cl < 900 ppm per homogenous material. Also BFR /CFR/PVC Free
Solder Process Capability	Not applicable for solder process capability

Product Compliance Disclaimer

This information is provided based on reasonable inquiry of our suppliers and represents our current actual knowledge based on the information they provided. This information is subject to change. The part numbers that TE has identified as EU RoHS compliant have a maximum concentration of 0.1% by weight in homogenous materials for lead, hexavalent chromium, mercury, PBB, PBDE, DBP, BBP, DEHP, DIBP, and 0.01% for cadmium, or qualify for an exemption to these limits as defined in the Annexes of Directive 2011/65/EU (RoHS2). Finished electrical and electronic equipment products will be CE marked as required by Directive 2011/65/EU. Components may not be CE marked. Additionally, the part numbers that TE has identified as EU ELV compliant have a maximum concentration of 0.1% by weight in homogenous materials for lead, hexavalent chromium, and mercury, and 0.01% for cadmium, or qualify for an exemption to these limits as defined in the Annexes of Directive 2000/53/EC (ELV). Regarding the REACH Regulation, the information TE provides

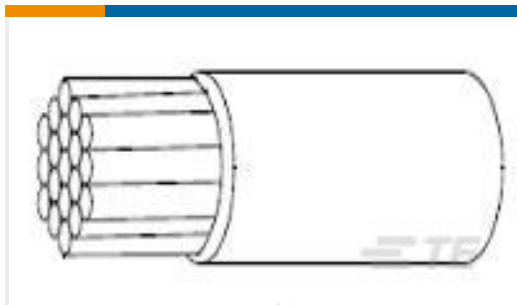
on SVHC in articles for this part number is based on the latest European Chemicals Agency (ECHA) 'Guidance on requirements for substances in articles' posted at this URL: <https://echa.europa.eu/guidance-documents/guidance-on-reach>

Compatible Parts

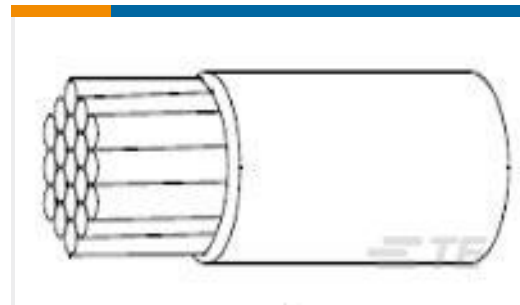


TE Part # CJ2087-000
HL2010E-KIT-120V

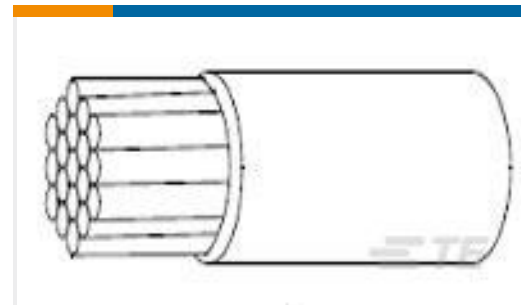
Customers Also Bought



TE Part #216111-002
22759/32-26-9



TE Part #216202-001
22759/32-22-0



TE Part #216368-001
22759/33-26-9



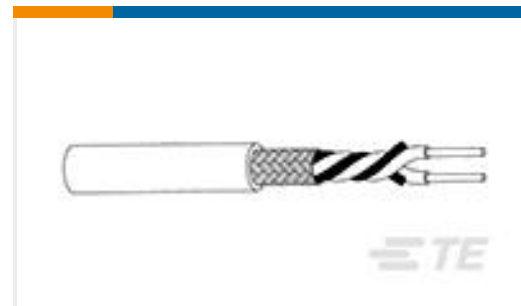
TE Part #50832-3
TERMINAL,PIDG PTFE R 22-20 10



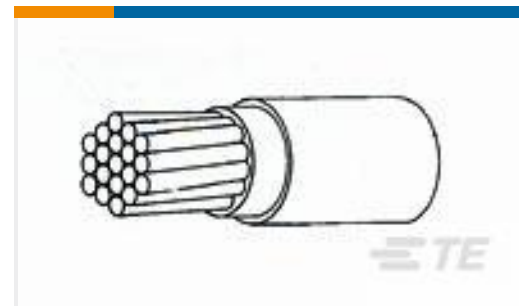
TE Part #335276-000
TTVF COLOR CODING FLAGGING
PVF LABELS



TE Part #179544-000
D-181-2222-90/9



TE Part #469411-000
0024A0024-9X



TE Part #282217-000
81044/12-20-6



TE Part #NB19604001
RNF-100-3/16-YO-SP



TE Part #332350-000
D-600-0019

Documents

Product Drawings

SFR-3/8-0-SP

English



Datasheets & Catalog Pages

[1654025_Sec3_SFR](#)

English

[6-1773439-3TubingSelectionGuideEN](#)

English

Product Specifications

[Tubing Customer Specification Report](#)

English

[Product Specification](#)

English