



Raychem | Raychem Versafit V4

TE Internal #: 603891J001

Raychem Versafit V4, Heat Shrink Tubing, Black, Single Wall Type, 1.4 Expanded Inside Diameter (Min) .055 Expanded Inside Diameter (Min)

[View on TE.com >](#)

Heat Shrink Tubing



Primary Product Color: **Black**

Wall Type: **Single**

Expanded Inside Diameter (Min): **1.4 mm [.055 in]**

Recovered Inside Diameter (Max): **.5 mm [.019 in]**

Shrink Ratio: **2:1**

Features

Product Type Features

Product Family	V4
Wall Type	Single

Electrical Characteristics

Voltage (Max)	.3 kV
---------------	-------

Body Features

Primary Product Color	Black
Shrink Ratio	2:1
Primary Product Material	Irradiated Modified Polyolefin
Flexibility	Very Flexible

Dimensions

Recovered Wall Thickness (Tolerance)	.25 mm[.01 in]
Expanded Inside Diameter (Min)	1.4 mm[.055 in]
Recovered Inside Diameter (Max)	.5 mm[.019 in]
Heat Shrink Tubing Size Range	.5 – 1.4 mm[.019 – .055 in]

Usage Conditions

Shrink Temperature (Min)	70 °C
Heat Shrink Tubing Flammability	Highly Flame-Retardant
Operating Temperature Range	-30 – 125 °C



Heat Shrink Tubing Resistance	Strain, Wrinkling
Recovery Temperature	90 °C

Product Availability

Applicable Region	Global
-------------------	--------

Packaging Features

Packaging Method	Package
------------------	---------

Other

Meets Low Outgassing Requirements	No
Product Source	China, US

Product Compliance

[For compliance documentation, visit the product page on TE.com>](#)

EU RoHS Directive 2011/65/EU	Compliant
EU ELV Directive 2000/53/EC	Compliant
China RoHS 2 Directive MIIT Order No 32, 2016	No Restricted Materials Above Threshold
EU REACH Regulation (EC) No. 1907/2006	Current ECHA Candidate List: JAN 2021 (211) Candidate List Declared Against: JAN 2021 (211) Does not contain REACH SVHC
Halogen Content	Not Low Halogen - contains Br or Cl > 900 ppm.
Solder Process Capability	Not applicable for solder process capability

Product Compliance Disclaimer

This information is provided based on reasonable inquiry of our suppliers and represents our current actual knowledge based on the information they provided. This information is subject to change. The part numbers that TE has identified as EU RoHS compliant have a maximum concentration of 0.1% by weight in homogenous materials for lead, hexavalent chromium, mercury, PBB, PBDE, DBP, BBP, DEHP, DIBP, and 0.01% for cadmium, or qualify for an exemption to these limits as defined in the Annexes of Directive 2011/65/EU (RoHS2). Finished electrical and electronic equipment products will be CE marked as required by Directive 2011/65/EU. Components may not be CE marked. Additionally, the part numbers that TE has identified as EU ELV compliant have a maximum concentration of 0.1% by weight in homogenous materials for lead, hexavalent chromium, and mercury, and 0.01% for cadmium, or qualify for an exemption to these limits as defined in the Annexes of Directive 2000/53/EC (ELV). Regarding the REACH Regulation, the information TE provides on SVHC in articles for this part number is based on the latest European Chemicals Agency (ECHA) 'Guidance on requirements for substances in articles' posted at this URL: <https://echa.europa.eu/guidance-documents/guidance-on-reach>

Compatible Parts

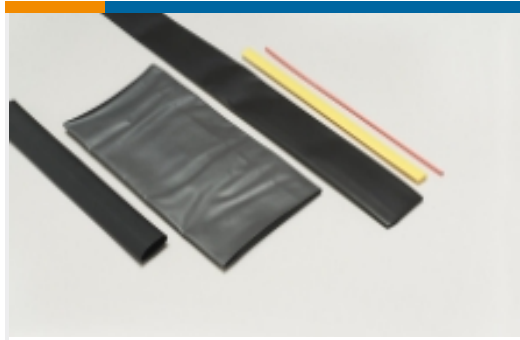


TE Part # CJ2087-000
HL2010E-KIT-120V



TE Part # EG1114-000
CV1981-ST-230V1600W-EU

Also in the Series | Raychem Versafit V4

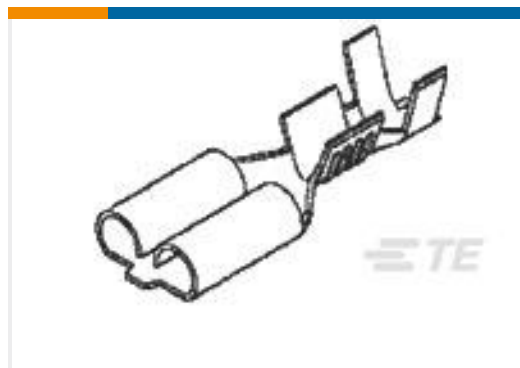


Heat Shrink Tubing(27)

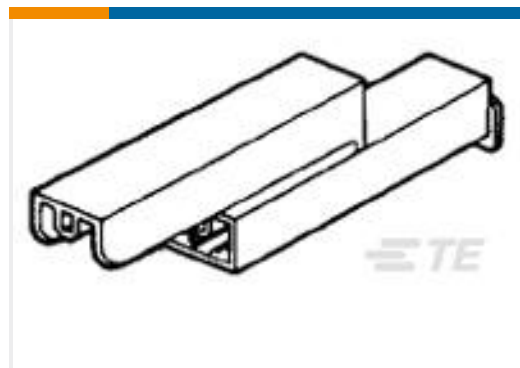
Customers Also Bought



TE Part #1658653-1
D-Sub Crimp Recpt Signal 50 Posn,
Socket Size 20, Shell Size 5



TE Part #170032-4
250 FASTON,REC.,20-14 AWG,TPBR



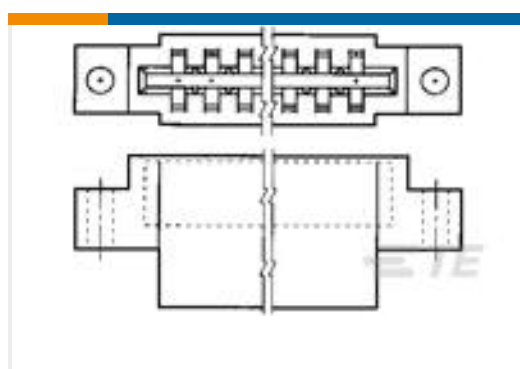
TE Part #174712-1
PL 187 (4.8 MM) HOUSING
RECEPTACLE



TE Part #2-320093-1
TERMINAL, SOLIS R 16-14 10



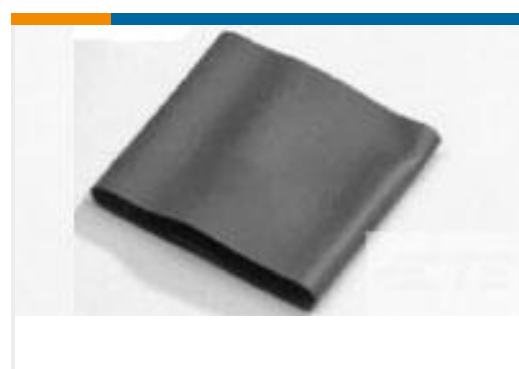
TE Part #1-178295-5
DYNAMIC 3100 HDR ASSY



TE Part #1-583859-5
HOUSING CSTL 156 C/L 12 POS



TE Part #1658688-1
D-Sub Crimp Recpt Signal 15 Posn,
Socket Size 22, Shell Size 1



TE Part #115607J001
V2-12.0-0-FSP-SM



TE Part #170362-4
MINI UNIVERSAL M-N-L SOCKET



TE Part #D34914-000
V4-0.8-0-SP-SM



Documents

Datasheets & Catalog Pages

[VERSAFIT V4 Pages from 9-1773447-9](#)

English

[Application Tooling for Raychem Heat Shrink Product](#)

English

[Very-Thin-Wall, Highly Flame-Retardant, Metric-Sized Heat-Shrinkable Tubing](#)

English

Product Specifications

[Quality Specification](#)

English