

W23-X1A1G-10 ✓ ACTIVE

Potter & Brumfield | Potter & Brumfield W23-31

TE Internal #: 6-1393246-5

Potter & Brumfield W23-31, Circuit Breakers, Thermal, Series Trip, Blk w/White Amp Rate Mark & White Trip Band Button Color, 240VAC Voltage Rating AC

[View on TE.com >](#)



Relays, Contactors & Switches > Circuit Breakers



Circuit Breaker Type: **Thermal**

Circuit Function: **Series Trip**

Illuminated: **No**

Button Color: **Blk w/White Amp Rate Mark & White Trip Band**

Voltage Rating AC: **240 VAC**

Features

Product Type Features

Circuit Breaker Style	Push-Pull Button
Illumination Type	No Light
Product Type	Circuit Breaker
Actuator Type	Push-Pull
Circuit Breaker Type	Thermal
Illuminated	No

Configuration Features

	.375 – .386 (Diameter) in
Earthing Switch	Without
Circuit Function	Series Trip

Electrical Characteristics

Voltage Rating AC	240 VAC
Voltage Rating DC	50 VDC
Circuit Breaker Current Rating	10 A
Interrupt Capacity	1000A @ 50VDC or 120VAC

Body Features

Button Color	Blk w/White Amp Rate Mark & White Trip Band
--------------	---



Contact Features

Pole Configuration	1
Trip Time at 200%	6 – 22 seconds

Termination Features

Circuit Breaker Termination Type	8-32 Screws 90° to Each Other
----------------------------------	-------------------------------

Mechanical Attachment

Mounting Hardware Packaging	Assembled to Bushing
Mounting Options	Two Hex Nuts/Lockwasher
Mounting Bushing	3/8-24 Threaded Bushing .375" [9.53mm] Long, Silver Color
Circuit Breaker Mounting Type	Panel Mount

Product Compliance

[For compliance documentation, visit the product page on TE.com>](#)

EU RoHS Directive 2011/65/EU	Compliant
EU ELV Directive 2000/53/EC	Not Compliant
China RoHS 2 Directive MIIT Order No 32, 2016	No Restricted Materials Above Threshold
EU REACH Regulation (EC) No. 1907/2006	Current ECHA Candidate List: JAN 2021 (211) Candidate List Declared Against: JAN 2021 (211) SVHC > Threshold: Cadmium oxide (5.1% in Component) Article Safe Usage Statements: Use personal protective equipment as required. Do not eat, drink or smoke when using this product. Recycle if possible and dispose of the article by following all applicable governmental regulations relevant to your geographic location.
Halogen Content	Low Halogen - Br, Cl, F, I < 900 ppm per homogenous material. Also BFR/CFR/PVC Free
Solder Process Capability	Not applicable for solder process capability

Product Compliance Disclaimer

This information is provided based on reasonable inquiry of our suppliers and represents our current actual knowledge based on the information they provided. This information is subject to change. The part numbers that TE has identified as EU RoHS compliant have a maximum concentration of 0.1% by weight in homogenous materials for lead, hexavalent chromium, mercury, PBB, PBDE, DBP, BBP, DEHP, DIBP, and 0.01% for cadmium, or qualify for an exemption to these limits as defined in the Annexes of Directive 2011/65/EU (RoHS2). Finished electrical and electronic equipment products will be CE marked as required by Directive 2011/65/EU. Components may not be CE marked. Additionally, the part numbers that TE has identified as EU ELV compliant have a maximum concentration of 0.1% by weight in homogenous materials for lead, hexavalent chromium, and mercury, and 0.01% for cadmium, or qualify for an exemption to these limits as defined in the Annexes of Directive 2000/53/EC (ELV). Regarding the REACH Regulation, the information TE provides on SVHC in articles for this part number is based on the latest European Chemicals Agency (ECHA) 'Guidance on requirements for substances in articles' posted at this URL: <https://echa.europa.eu/guidance-documents/guidance-on-reach>

Compatible Parts



TE Part # CAT-P592-SP118
PIDG SPADE TONGUE TERMINALS



TE Part # CAT-P592-R472A
PIDG RING TONGUE TERMINALS




TE Part # 7-1393246-7
W23-X1A1G-7.50=W23/W31



TE Part # 1-1423678-8
W23-X1A1A-10=CKTBKR,THERM,PB,SCW,BUSH

Also in the Series | Potter & Brumfield W23-31



Circuit Breakers(34)

Customers Also Bought



TE Part #T4162124004-005
M12 A-CODE MS-FR DOUBLE ENDED CABLE



TE Part #1757820-6
AMPLIMITE,ASY,RCPT,STD,109,ZN,1,CT



TE Part #1757819-6
AMPLIMITE,ASY,PLUG,STD,109,ZN,1,CT



TE Part #1658685-1
HDP-22,RCPT,SIZE 5,78 POSN



TE Part #1658674-1
HDP-22,PLUG,SIZE 5,78 POSN



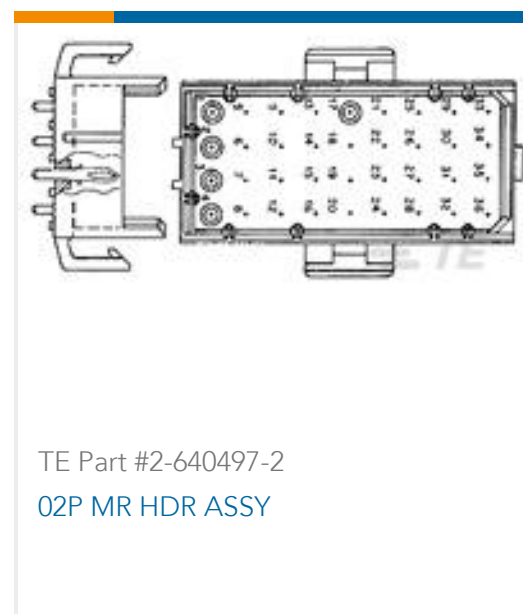
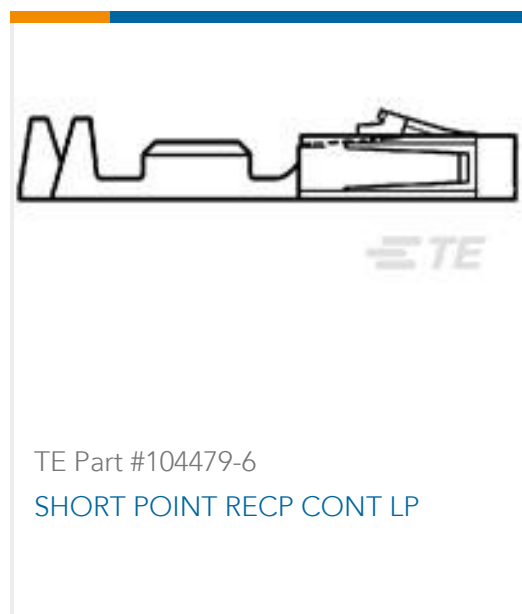
TE Part #204351-1
SZ 22 SOCKET CONTACT



TE Part #204370-2
PIN CONTACT,Sz22D,22-28 AWG



TE Part #1757820-2
AMPLIMITE,ASY,RCPT,STD,109,ZN,2



Documents

CAD Files

[3D PDF](#)

3D

Customer View Model

[ENG_CVM_CVM_6-1393246-5_A_c-6-1393246-5-a.2d_dxf.zip](#)

English

Customer View Model

[ENG_CVM_CVM_6-1393246-5_A_c-6-1393246-5-a.3d_igs.zip](#)

English

Customer View Model

[ENG_CVM_CVM_6-1393246-5_A_c-6-1393246-5-a.3d_stp.zip](#)

English

By downloading the CAD file I accept and agree to the [Terms and Conditions](#) of use.

Datasheets & Catalog Pages

[W23/31 Toggle or Push/Pull Actuator Thermal Circuit Breaker](#)

English

[Industrial Relays Quick Reference Guide](#)

English

[Industrial Relays Quick Reference Guide](#)

Japanese

[Industrial Relays Quick Reference Guide](#)