



Potter & Brumfield | Potter & Brumfield W9

TE Internal #: 6-1393254-1

Potter & Brumfield W9, Circuit Breakers, Magnetic, Series Trip, Black Toggle Color, 277VAC Voltage Rating AC, 10A Circuit Breaker Current Rating

[View on TE.com >](#)

Relays, Contactors & Switches > Circuit Breakers



Circuit Breaker Type: **Magnetic**

Circuit Function: **Series Trip**

Illuminated: **No**

Toggle Color: **Black**

Voltage Rating AC: **277 VAC**

Features

Product Type Features

Illumination Type	No Light
Product Type	Circuit Breaker
Actuator Type	Toggle
Circuit Breaker Type	Magnetic
Illuminated	No
Toggle Color	Black

Configuration Features

	1.52 x 2.065 in
Earthing Switch	Without
Circuit Function	Series Trip

Electrical Characteristics

Voltage Rating AC	277 VAC
Circuit Breaker Current Rating	10 A
Interrupt Capacity	5000A @ 277VAC

Contact Features

Pole Configuration	2
Trip Time at 200%	9 – 100 seconds

Termination Features



Circuit Breaker Termination Type	10-32 Stud
----------------------------------	------------

Mechanical Attachment

Series/Mounting Option	W9 (6-32 Mounting Threads)
------------------------	----------------------------

Mounting Options	6-32 Mounting Threads
------------------	-----------------------

Circuit Breaker Mounting Type	Panel Mount
-------------------------------	-------------

Dimensions

Circuit Breaker Size	63.5 mm[2.5 in]
----------------------	-----------------

Identification Marking

Stamped Marking Type	International I/O
----------------------	-------------------

Product Compliance

[For compliance documentation, visit the product page on TE.com>](#)

EU RoHS Directive 2011/65/EU	Compliant with Exemptions
------------------------------	---------------------------

EU ELV Directive 2000/53/EC	Not Compliant
-----------------------------	---------------

China RoHS 2 Directive MIIT Order No 32, 2016	Restricted Materials Above Threshold
---	--------------------------------------

EU REACH Regulation (EC) No. 1907/2006	Current ECHA Candidate List: JAN 2021 (211) Candidate List Declared Against: JAN 2018 (181) SVHC > Threshold: Not Yet Reviewed
--	---


Halogen Content	Not Low Halogen - contains Br or Cl > 900 ppm.
-----------------	--

Solder Process Capability	Not applicable for solder process capability
---------------------------	--

Product Compliance Disclaimer

This information is provided based on reasonable inquiry of our suppliers and represents our current actual knowledge based on the information they provided. This information is subject to change. The part numbers that TE has identified as EU RoHS compliant have a maximum concentration of 0.1% by weight in homogenous materials for lead, hexavalent chromium, mercury, PBB, PBDE, DBP, BBP, DEHP, DIBP, and 0.01% for cadmium, or qualify for an exemption to these limits as defined in the Annexes of Directive 2011/65/EU (RoHS2). Finished electrical and electronic equipment products will be CE marked as required by Directive 2011/65/EU. Components may not be CE marked. Additionally, the part numbers that TE has identified as EU ELV compliant have a maximum concentration of 0.1% by weight in homogenous materials for lead, hexavalent chromium, and mercury, and 0.01% for cadmium, or qualify for an exemption to these limits as defined in the Annexes of Directive 2000/53/EC (ELV). Regarding the REACH Regulations, TE's information on SVHC in articles for this part number is still based on the European Chemical Agency (ECHA) 'Guidance on requirements for substances in articles' (Version: 2, April 2011), applying the 0.1% weight on weight concentration threshold at the finished product level. TE is aware of the European Court of Justice ruling of September 10th, 2015 also known as O5A (Once An Article Always An Article) stating that, in case of 'complex object', the threshold for a SVHC must be applied to both the product as a whole and simultaneously to each of the articles forming part of its composition. TE has evaluated this ruling based on the new ECHA "Guidance on requirements for substances in articles" (June 2017, version 4.0) and will be updating its statements accordingly.

Compatible Parts



TE Part # CAT-P592-R472A
PIDG RING TONGUE TERMINALS



TE Part # CAT-P592-SP118
PIDG SPADE TONGUE TERMINALS




TE Part # 6-1393254-8
W92-X112-10=M6/M7/M9/W6/W7



TE Part # 8-1393254-4
W92-X112-7=M6/M7/M9/W6/W7

Also in the Series | Potter & Brumfield W9

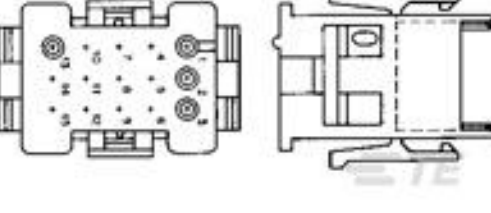


Circuit Breakers(70)

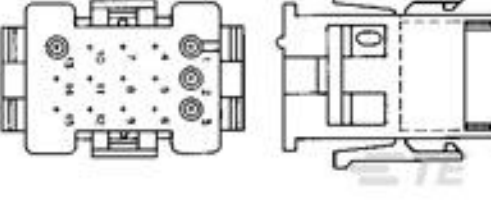
Customers Also Bought



TE Part #1-6609046-2
CORCOM T SERIES SINGLE PHASE FILTERS



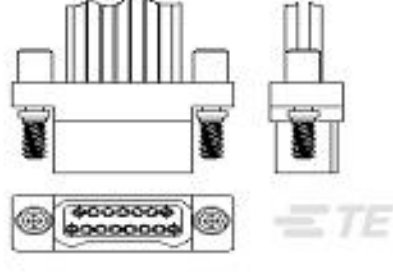
TE Part #1-640512-0
12P MR II CAP HSG V0 RED



TE Part #1-640510-0
06P MR II CAP HSG V0 RED



TE Part #1393143-5
27E121=SOCKET,KUP,11,SCW,PLE



TE Part #1-1589472-2
STL009PC2DC012N = WDUALOBE



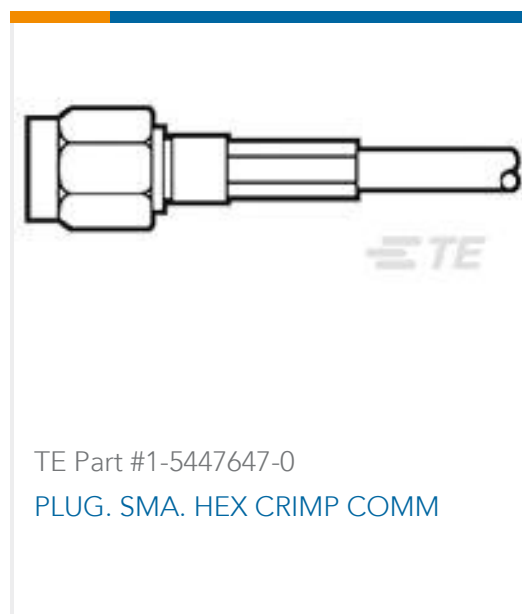
TE Part #A39093-000
B-155-11



TE Part #1-1393143-9
27E166=SOCKET,KH,14,SCW,PLES



TE Part #1-765206-7
VERT. HEADER ASSY. .100CL



Documents

CAD Files

[3D PDF](#)

3D

Customer View Model

[ENG_CVM_CVM_6-1393254-1_D.2d_dxf.zip](#)

English

Customer View Model

[ENG_CVM_CVM_6-1393254-1_D.3d_igs.zip](#)

English

Customer View Model

[ENG_CVM_CVM_6-1393254-1_D.3d_stp.zip](#)

English

By downloading the CAD file I accept and agree to the [Terms and Conditions](#) of use.

Datasheets & Catalog Pages

[W6/W9 Magnetic Hydraulic Circuit Breaker](#)

English

[Industrial Relays Quick Reference Guide](#)

English

[Industrial Relays Quick Reference Guide](#)

Japanese

[Industrial Relays Quick Reference Guide](#)

Agency Approvals

[UL](#)

English