

6-1423157-8 ✓ ACTIVE

[Agastat](#) | [Agastat 7000](#)

TE Internal #: 6-1423157-8

Agastat 7000, Time Delay Relays, Knob, 240 – 220VAC Time Delay

Relay Input Voltage, 10A@240VACA Time Delay Relay Contact

Current Rating, On-Delay

[View on TE.com >](#)



Relays, Contactors & Switches > Relays > Time Delay Relays



Type of Control: **Knob**

Time Delay Relay Input Voltage: **240 – 220 VAC**

Time Delay Relay Contact Current Rating: **10A@240VAC A**

Mode of Operation: **On-Delay**

Delay Time: **3 – 30 minutes**

## Features

### Product Type Features

Product Type	Relay
Relay Type	Time Delay
Product Category	Electromechanical Relays
Magnetic Blow-Out Device	Without

### Configuration Features

Multiple Timing Ranges	Without
------------------------	---------

### Electrical Characteristics

Actuating System	AC
Time Delay Relay Input Voltage	240 – 220 VAC

### Contact Features

Contact Arrangement	2 Form C, DPDT, 2 C/O
Type of Control	Knob
Time Delay Relay Contact Current Rating	10A@240VAC A
Delay Time	3 – 30 minutes

### Termination Features

Termination Type	Screw Terminals
------------------	-----------------

### Mechanical Attachment



Time Delay Relay Mounting Type

Mounting Bracket

### Dimensions

Dimensions (L x W x H) (Approximate)

114.8 x 82.55 x 78.48 mm[4.52 x 3.25 x 3.09 in]

### Usage Conditions

Operating Temperature Range

-30 – 75 °C

### Operation/Application

Mode of Operation

On-Delay

### Other

Repeatability (Max)

±10%

## Product Compliance

[For compliance documentation, visit the product page on TE.com>](#)

EU RoHS Directive 2011/65/EU

Not Compliant

EU ELV Directive 2000/53/EC

Not Compliant

China RoHS 2 Directive MIIT Order No 32, 2016

Restricted Materials Above Threshold

EU REACH Regulation (EC) No. 1907/2006

Current ECHA Candidate List: JAN 2021 (211)  
 Candidate List Declared Against: JAN 2021 (211)  
 Does not contain REACH SVHC

Halogen Content

Not Yet Reviewed for halogen content

Solder Process Capability

Not applicable for solder process capability

#### Product Compliance Disclaimer


This information is provided based on reasonable inquiry of our suppliers and represents our current actual knowledge based on the information they provided. This information is subject to change. The part numbers that TE has identified as EU RoHS compliant have a maximum concentration of 0.1% by weight in homogenous materials for lead, hexavalent chromium, mercury, PBB, PBDE, DBP, BBP, DEHP, DIBP, and 0.01% for cadmium, or qualify for an exemption to these limits as defined in the Annexes of Directive 2011/65/EU (RoHS2). Finished electrical and electronic equipment products will be CE marked as required by Directive 2011/65/EU. Components may not be CE marked. Additionally, the part numbers that TE has identified as EU ELV compliant have a maximum concentration of 0.1% by weight in homogenous materials for lead, hexavalent chromium, and mercury, and 0.01% for cadmium, or qualify for an exemption to these limits as defined in the Annexes of Directive 2000/53/EC (ELV). Regarding the REACH Regulations, TE's information on SVHC in articles for this part number is still based on the European Chemical Agency (ECHA) 'Guidance on requirements for substances in articles' (Version: 2, April 2011), applying the 0.1% weight on weight concentration threshold at the finished product level. TE is aware of the European Court of Justice ruling of September 10th, 2015 also known as O5A (Once An Article Always An Article) stating that, in case of 'complex object', the threshold for a SVHC must be applied to both the product as a whole and simultaneously to each of the articles forming part of its composition. TE has evaluated this ruling based on the new ECHA "Guidance on requirements for substances in articles" (June 2017, version 4.0) and will be updating its statements accordingly.

## Compatible Parts



TE Part # 1423162-5  
7022AC=RLY,STD,OFF,2P 120VAC,1

## Also in the Series | Agastat 7000

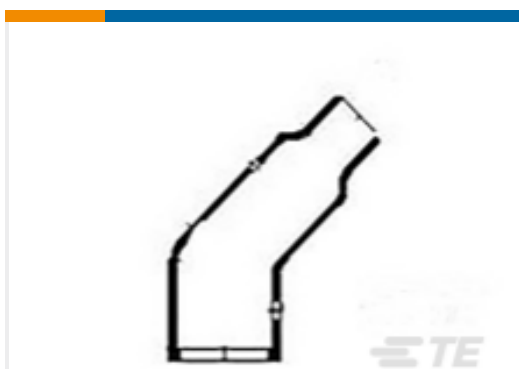


Pre-Printed Markers(888)

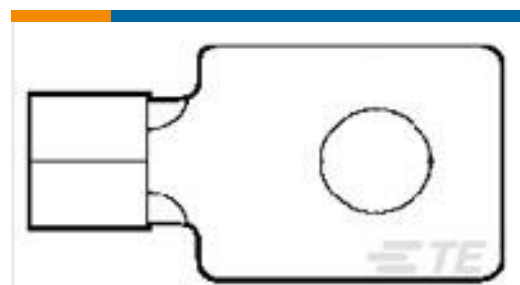


Time Delay Relays(214)

## Customers Also Bought



TE Part #274243-000  
Heat Shrink Boots: Poly Mold, Lipped



TE Part #321558  
TERMINAL,SOLIS RECT 12-10 10



TE Part #130452  
PIDG SHEARED RING



TE Part #134017-1  
PIDG 18IR RING M5



TE Part #A41336-000  
CI-252-PVKU-PQBX-C6-EB



TE Part #135939-1  
CGPT 2/1 51 /26 1m NOIR



TE Part #225389-3  
SERIES N RT ANG PLUG W/PROOF



TE Part #225792-5  
ARINC SIZE 3 SOCKET



## Documents

### Product Drawings

[7012BH=RLY,STD,ON,2P,240VAC](#)

English

### Datasheets & Catalog Pages

[5-1773450-5\\_sec12\\_7000](#)

English