

KHAE-11D16-24 ✓ ACTIVE

Potter & Brumfield | Potter & Brumfield KHA

TE Internal #: 6-2027011-2

Potter & Brumfield KHA, Power Relays, Industrial Panel Plug-In,
Monostable, DC, 800 – 1000mW Coil Power Rating Class, 850mW
Coil Power Rating DC

[View on TE.com >](#)



Relays, Contactors & Switches > Relays > Power Relays



Power Relay Type: **Industrial Panel Plug-In**

Coil Magnetic System: **Monostable, DC**

Coil Power Rating Class: **800 – 1000 mW**

Coil Power Rating DC: **850 mW**

Coil Resistance: **650 Ω**

Features

Product Type Features

Power Relay Type	Industrial Panel Plug-In
------------------	--------------------------

Electrical Characteristics

Insulation Initial Dielectric Between Coil & Contact Class	1000 – 1500 V
--	---------------

Insulation Initial Dielectric Between Contacts & Coil	1500 Vrms
---	-----------

Actuating System	DC
------------------	----

Insulation Initial Dielectric Between Open Contacts	1000 Vrms
---	-----------

Contact Limiting Making Current	1 A
---------------------------------	-----

Contact Limiting Short-Time Current	1 A
-------------------------------------	-----

Contact Limiting Continuous Current	1 A
-------------------------------------	-----

Insulation Initial Dielectric Between Adjacent Contacts	1500 Vrms
---	-----------

Insulation Initial Resistance	100 M Ω
-------------------------------	----------------

Contact Limiting Breaking Current	1 A
-----------------------------------	-----

Coil Magnetic System	Monostable, DC
----------------------	----------------

Coil Power Rating Class	800 – 1000 mW
-------------------------	---------------

Coil Power Rating DC	850 mW
----------------------	--------

Coil Resistance	650 Ω
-----------------	--------------

Coil Special Features	UL Coil Insulation Class B
-----------------------	----------------------------

Coil Voltage Rating	24 VDC
---------------------	--------

Contact Switching Load (Min)	0mA @ 0V
------------------------------	----------

Contact Voltage Rating	240 VAC
------------------------	---------

Body Features

Product Weight	45 g[1.587 oz]
----------------	----------------

Contact Features

Contact Plating Material	Gold
--------------------------	------

Contact Special Features	Bifurcated/Twin Contacts
--------------------------	--------------------------

Contact Arrangement	2 Form C (CO)
---------------------	---------------

Contact Current Class	0 – 2 A, 16 A
-----------------------	---------------

Contact Current Rating (Max)	1 A
------------------------------	-----

Contact Material	Ag
------------------	----

Contact Number of Poles	2
-------------------------	---

Terminal Type	PCB-THT
---------------	---------

Mechanical Attachment

Relay Mounting Type	Socket
---------------------	--------

Dimensions

Length Class (Mechanical)	25 – 30 mm
---------------------------	------------

Height Class (Mechanical)	30 – 40 mm
---------------------------	------------

Width Class (Mechanical)	20 – 25 mm
--------------------------	------------

Product Width	21.8 mm[.858 in]
---------------	------------------

Product Length	28.2 mm[1.111 in]
----------------	-------------------

Product Height	32.5 mm[1.261 in]
----------------	-------------------

Usage Conditions

Environmental Ambient Temperature Class	50 – 70 °C
---	------------

Environmental Ambient Temperature (Max)	70 °C[158 °F]
---	---------------

Operating Temperature Range	-40 – 70 °C
-----------------------------	-------------

Packaging Features

Packaging Method	Package
------------------	---------

Product Compliance

[For compliance documentation, visit the product page on TE.com>](#)

EU RoHS Directive 2011/65/EU	Compliant with Exemptions
------------------------------	---------------------------



EU ELV Directive 2000/53/EC	Not Compliant
China RoHS 2 Directive MIIT Order No 32, 2016	Restricted Materials Above Threshold
EU REACH Regulation (EC) No. 1907/2006	Current ECHA Candidate List: JAN 2021 (211) Candidate List Declared Against: JUN 2013 (144) SVHC > Threshold: Not Yet Reviewed
Halogen Content	Not Yet Reviewed for halogen content
Solder Process Capability	Not reviewed for solder process capability

Product Compliance Disclaimer

This information is provided based on reasonable inquiry of our suppliers and represents our current actual knowledge based on the information they provided. This information is subject to change. The part numbers that TE has identified as EU RoHS compliant have a maximum concentration of 0.1% by weight in homogenous materials for lead, hexavalent chromium, mercury, PBB, PBDE, DBP, BBP, DEHP, DIBP, and 0.01% for cadmium, or qualify for an exemption to these limits as defined in the Annexes of Directive 2011/65/EU (RoHS2). Finished electrical and electronic equipment products will be CE marked as required by Directive 2011/65/EU. Components may not be CE marked. Additionally, the part numbers that TE has identified as EU ELV compliant have a maximum concentration of 0.1% by weight in homogenous materials for lead, hexavalent chromium, and mercury, and 0.01% for cadmium, or qualify for an exemption to these limits as defined in the Annexes of Directive 2000/53/EC (ELV). Regarding the REACH Regulations, TE's information on SVHC in articles for this part number is still based on the European Chemical Agency (ECHA) 'Guidance on requirements for substances in articles' (Version: 2, April 2011), applying the 0.1% weight on weight concentration threshold at the finished product level. TE is aware of the European Court of Justice ruling of September 10th, 2015 also known as O5A (Once An Article Always An Article) stating that, in case of 'complex object', the threshold for a SVHC must be applied to both the product as a whole and simultaneously to each of the articles forming part of its composition. TE has evaluated this ruling based on the new ECHA "Guidance on requirements for substances in articles" (June 2017, version 4.0) and will be updating its statements accordingly.

Compatible Parts



Also in the Series | [Potter & Brumfield KHA](#)

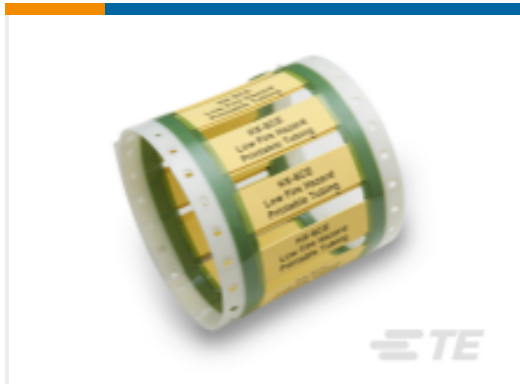


Power Relays(80)



Relay Accessories, Sockets & Clips(7)

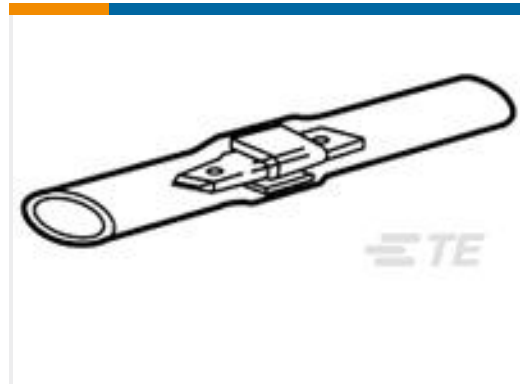
Customers Also Bought



TE Part #A34057-000
HX-SCE LOW FIRE HAZARD SLEEVES



TE Part #412803-000
101A052-3/86-0



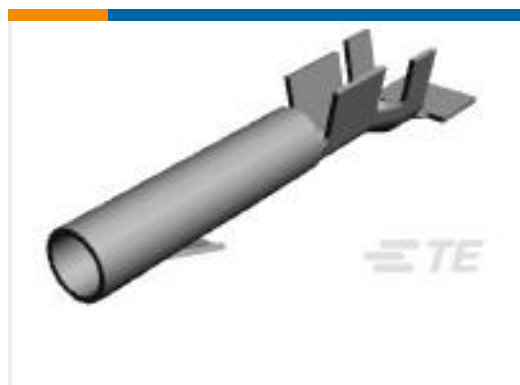
TE Part #321688
RECEIPT, FASTON SPLICE 22-10



TE Part #6-1423164-7
7022VCI2=RLY,STD,OFF,2P,32VDC,



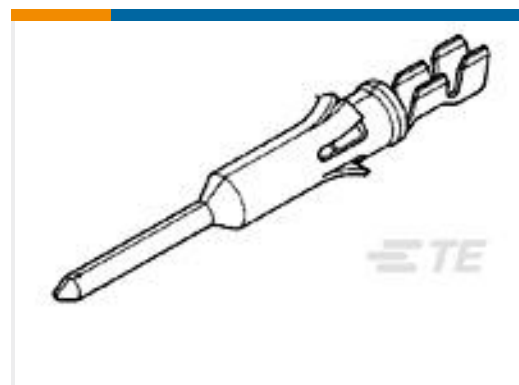
TE Part #32188
TERMINAL,DG R 16-14 6



TE Part #61115-1
CMNL SOK 22-18 .010TPBPR



TE Part #7-1423164-2
7022RBM=RLY,STD,OFF,2P,60VDC,



TE Part #66587-1
TYPE VI PIN CONT,M-MATE,L.P.



TE Part #3-1437449-3
7012X11I12=RLY,STD,ON,2P,72VD

Documents

CAD Files

3D PDF

3D

Customer View Model

[ENG_CVM_CVM_6-2027011-2_C.2d_dxf.zip](#)

English

Customer View Model

[ENG_CVM_CVM_6-2027011-2_C.3d_igs.zip](#)



English

Customer View Model

[ENG_CVM_CVM_6-2027011-2_C.3d_stp.zip](#)

English

By downloading the CAD file I accept and agree to the [Terms and Conditions](#) of use.

Datasheets & Catalog Pages

[KHA General Purpose Dry Circuit to 5A Multicontact AC or DC Relay](#)

English

[Industrial Relays Quick Reference Guide](#)

English

[Industrial Relays Quick Reference Guide](#)

Japanese

[Industrial Relays Quick Reference Guide](#)

Product Specifications

[Definitions, Handling, Processing, Testing and Use of Relays](#)

English