



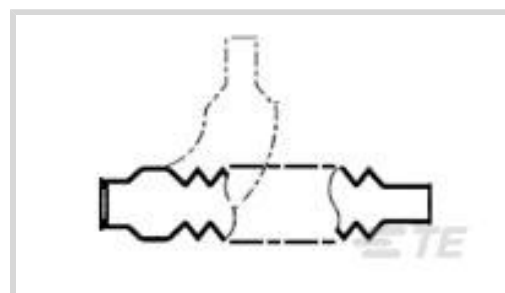
Raychem

TE Internal #: 622345-000

Heat Shrink Boots, 180°, Molded Part Shape Code 202, Lipped, 71, 10, Adhesive Pre-Coat, Operating Temperature Range -55 – 135 °C [-67 – 275 °F]

[View on TE.com >](#)

Wire Protection & Management > Heat Shrink Molded Shapes > Heat Shrink Boots > Convoluted Heat Shrink Uni Boots: Lipped, Straight



Molded Part Shape: **180°**

Molded Part Shape Code: **202**

Lipped: **Yes**

Material Code: **71**

Heat Shrink Boot Material Systems Code: **10**

[All Convoluted Heat Shrink Uni Boots: Lipped, Straight \(67\)](#)

Features

Product Type Features

Molded Part Shape	180°
-------------------	------

Configuration Features

Lipped	Yes
--------	-----

Body Features

Material Code	71
Heat Shrink Boot Material Systems Code	10
Adhesive Pre-Coat	Yes
Material	Semi-Rigid Modified Polyolefin

Dimensions

Inside Diameter as Supplied	26.4 mm[1.04 in]
-----------------------------	------------------

Usage Conditions

Operating Temperature Range	-55 – 135 °C[-67 – 275 °F]
-----------------------------	----------------------------

Operation/Application

Power Cable Accessory	No
-----------------------	----

Industry Standards

Approved Standards	AS SAE81765/1 Type II
--------------------	-----------------------



Government Qualified No

Other

Molded Part Shape Code 202
 Fluid/Chemical Resistance Long-Term Exposure at High Temperature

Product Compliance

[For compliance documentation, visit the product page on TE.com>](#)

EU RoHS Directive 2011/65/EU	Compliant
EU ELV Directive 2000/53/EC	Compliant
China RoHS 2 Directive MIIT Order No 32, 2016	No Restricted Materials Above Threshold
EU REACH Regulation (EC) No. 1907/2006	Current ECHA Candidate List: JAN 2021 (211) Candidate List Declared Against: JAN 2021 (211) Does not contain REACH SVHC
Halogen Content	Not Low Halogen - contains Br or Cl > 900 ppm.
Solder Process Capability	Not applicable for solder process capability

Product Compliance Disclaimer

This information is provided based on reasonable inquiry of our suppliers and represents our current actual knowledge based on the information they provided. This information is subject to change. The part numbers that TE has identified as EU RoHS compliant have a maximum concentration of 0.1% by weight in homogenous materials for lead, hexavalent chromium, mercury, PBB, PBDE, DBP, BBP, DEHP, DIBP, and 0.01% for cadmium, or qualify for an exemption to these limits as defined in the Annexes of Directive 2011/65/EU (RoHS2). Finished electrical and electronic equipment products will be CE marked as required by Directive 2011/65/EU. Components may not be CE marked. Additionally, the part numbers that TE has identified as EU ELV compliant have a maximum concentration of 0.1% by weight in homogenous materials for lead, hexavalent chromium, and mercury, and 0.01% for cadmium, or qualify for an exemption to these limits as defined in the Annexes of Directive 2000/53/EC (ELV). Regarding the REACH Regulation, the information TE provides on SVHC in articles for this part number is based on the latest European Chemicals Agency (ECHA) 'Guidance on requirements for substances in articles' posted at this URL: <https://echa.europa.eu/guidance-documents/guidance-on-reach>

Compatible Parts

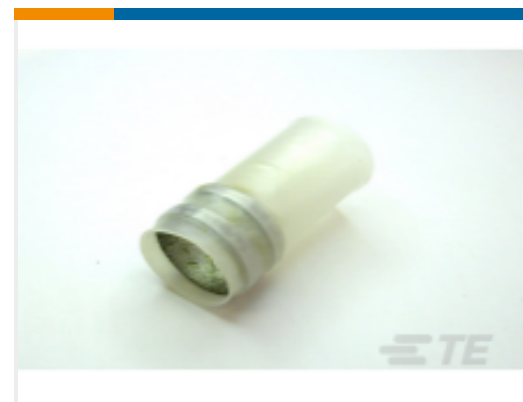


TE Part # CJ2087-000
[HL2010E-KIT-120V](#)

Customers Also Bought



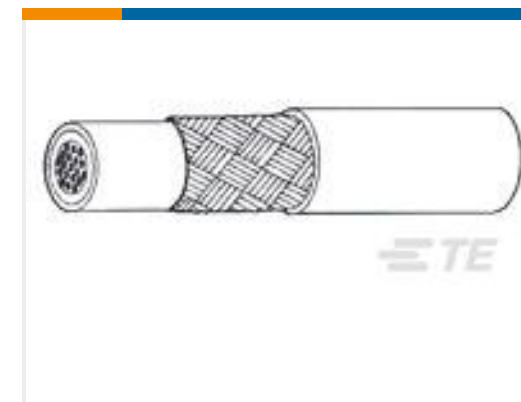
TE Part #423713-000
Convolved Heat Shrink Uni Boots:
Lipped, Straight



TE Part #359287-000
D-150-1008



TE Part #YDTS20Z15-97PAV001
D38999: Square Flange, 15-97 insert



TE Part #387724-000
44A1111-18-0-9



TE Part #307416-000
D-150-1010



TE Part #3827653001
44A1121-18-0/9-0



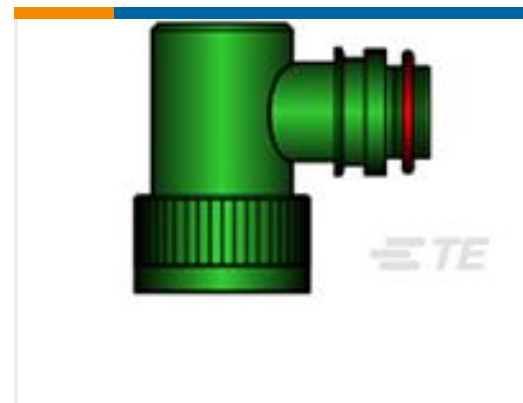
TE Part #63944-1
RCPT 250 FLG FAST AMVAR TPPHBZ



TE Part #610147-000
D-150-1013



TE Part #625415-000
SO63-4-55-24-9



TE Part #500263-000
TXR40AB90-1010AI

Documents

Product Drawings

[202C621-71/180-0](#)

English

Datasheets & Catalog Pages

[1654025_Sec4_-71](#)

English

Raychem Molded Parts Visual Guide

English

Product Specifications

[Product Specification](#)

English