



Raychem | Raychem NETM1000

TE Internal #: 6464574002

Raychem NETM1000, Heat Shrink Tubing, Black, Single Wall Type, 8 Expanded Inside Diameter (Min) .315 Expanded Inside Diameter (Min)

[View on TE.com >](#)

Heat Shrink Tubing



Primary Product Color: **Black**

Wall Type: **Single**

Expanded Inside Diameter (Min): **8 mm [.315 in]**

Primary Product Material: **Crosslinked Polyolefin**

Heat Shrink Tubing Flammability: **Flame-Retardant**

Features

Product Type Features

Wall Type	Single
-----------	--------

Body Features

Fluid Type	(ATF) Automatic Transmission Fluid, Antifreeze, Brake Fluid, Diesel Fuel, Motor Oil, Power Steering Fluid, Unleaded Gasoline
------------	--

Primary Product Color	Black
-----------------------	-------

Primary Product Material	Crosslinked Polyolefin
--------------------------	------------------------

Flexibility	Flexible
-------------	----------

Dimensions

Expanded Inside Diameter (Min)	8 mm[.315 in]
--------------------------------	---------------

Usage Conditions

Fluid Resistance	Splash Protection
------------------	-------------------

Heat Shrink Tubing Flammability	Flame-Retardant
---------------------------------	-----------------

Operating Temperature Range	-55 – 135 °C
-----------------------------	--------------

Heat Shrink Tubing Resistance	Fluids, Strain, Wrinkling
-------------------------------	---------------------------

Packaging Features

Packaging Method	Spool
------------------	-------

Other



Meets Low Outgassing Requirements	No
Product Source	US

Product Compliance

[For compliance documentation, visit the product page on TE.com>](#)

EU RoHS Directive 2011/65/EU	Compliant
EU ELV Directive 2000/53/EC	Compliant
China RoHS 2 Directive MIIT Order No 32, 2016	No Restricted Materials Above Threshold
EU REACH Regulation (EC) No. 1907/2006	Current ECHA Candidate List: JAN 2021 (211) Candidate List Declared Against: JAN 2021 (211) Does not contain REACH SVHC
Halogen Content	Not Low Halogen - contains Br or Cl > 900 ppm.
Solder Process Capability	Not applicable for solder process capability

Product Compliance Disclaimer

This information is provided based on reasonable inquiry of our suppliers and represents our current actual knowledge based on the information they provided. This information is subject to change. The part numbers that TE has identified as EU RoHS compliant have a maximum concentration of 0.1% by weight in homogenous materials for lead, hexavalent chromium, mercury, PBB, PBDE, DBP, BBP, DEHP, DIBP, and 0.01% for cadmium, or qualify for an exemption to these limits as defined in the Annexes of Directive 2011/65/EU (RoHS2). Finished electrical and electronic equipment products will be CE marked as required by Directive 2011/65/EU. Components may not be CE marked. Additionally, the part numbers that TE has identified as EU ELV compliant have a maximum concentration of 0.1% by weight in homogenous materials for lead, hexavalent chromium, and mercury, and 0.01% for cadmium, or qualify for an exemption to these limits as defined in the Annexes of Directive 2000/53/EC (ELV). Regarding the REACH Regulation, the information TE provides on SVHC in articles for this part number is based on the latest European Chemicals Agency (ECHA) 'Guidance on requirements for substances in articles' posted at this URL: <https://echa.europa.eu/guidance-documents/guidance-on-reach>

Compatible Parts

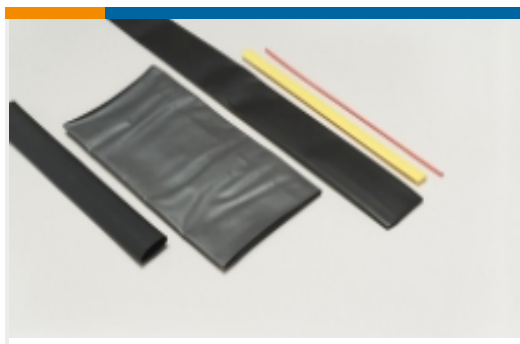


TE Part # CJ2087-000
HL2010E-KIT-120V



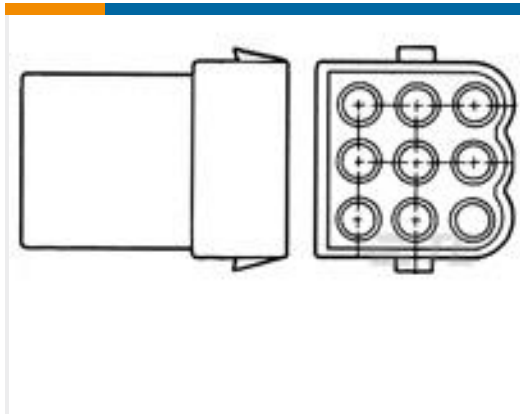
TE Part # EG1114-000
CV1981-ST-230V1600W-EU

Also in the Series | [Raychem NETM1000](#)

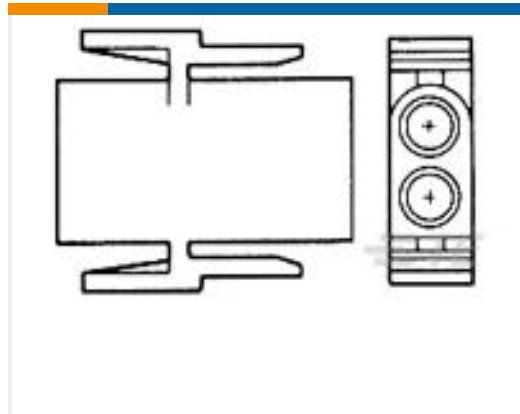


Heat Shrink Tubing(9)

Customers Also Bought



TE Part #1-480586-0
09P .140 MNL CAP NAT



TE Part #1-350346-0
03P .140 MNL PLUG P/M NAT



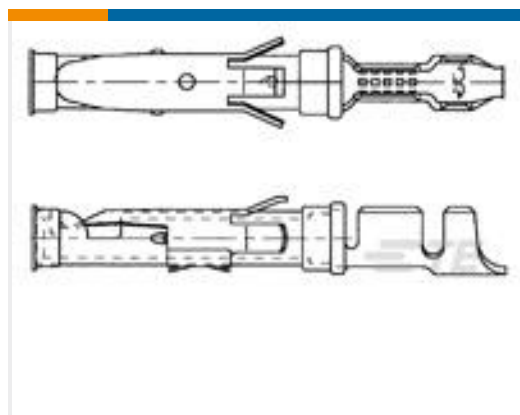
TE Part #1-967402-1
CIRCULAR DIN HOUSINGS



TE Part #1418984-1
TIMER, CONNECTOR HOUSING



TE Part #1-968853-1
AMP MCP, RECEPTACLE AND TAB



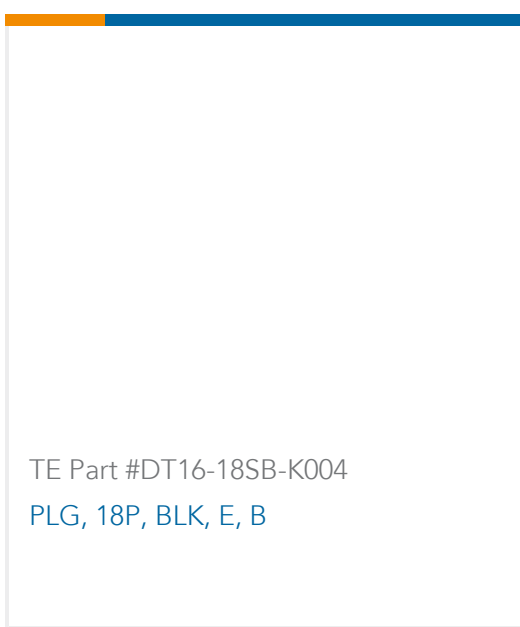
TE Part #1-163083-2
.062 DIA SOC ASS 3+



TE Part #10213286-00
TSD305-1SL10 Digital Thermopile Sensor



TE Part #1011-265-0405
DEUTSCH DT BACKSHELLS



TE Part #DT16-18SB-K004
PLG, 18P, BLK, E, B

Documents

Product Drawings

[NETM1000-8-0-SP](#)

English

Datasheets & Catalog Pages

[NETM Pages from 1654296-3](#)

English

[Application Tooling for Raychem Heat Shrink Product](#)

English



[Measuring_Single_Wall_Tubing](#)

English

[Selecting_Correct_Tubing](#)

English

[Product Specifications](#)

[Quality Specification](#)

English

[Product Environmental Compliance](#)

[Safety Datasheet](#)

[Safety Datasheet](#)

German

[Safety Datasheet](#)

English

[Safety Datasheet](#)

English

[Safety Datasheet](#)

English

[Safety Datasheet](#)

English

[Safety Datasheet](#)

[Safety Datasheet](#)

[Safety Datasheet](#)

French

[Safety Datasheet](#)

[Safety Datasheet](#)

[Safety Datasheet](#)

[Safety Datasheet](#)