



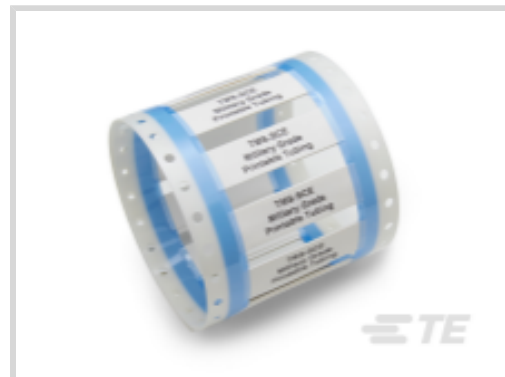
TMS-SCE

TE Internal #: 6632750001

TMS-SCE, Printable Tubing, Ladder Printable Tubing Type, Military Printable Tubing Grade, 3:1 Printable Tubing Shrink Ratio, White

[View on TE.com >](#)

Identification & Labeling > Printable Tubing > TMS-SCE MILITARY GRADE SLEEVES



Printable Tubing Type: **Ladder**

Printable Tubing Grade: **Military**

Printable Tubing Shrink Ratio: **3:1**

Primary Product Color: **White**

Markers per Sleeve: 1

[All TMS-SCE MILITARY GRADE SLEEVES \(94\)](#)

**Features**

**Product Type Features**

Printable Tubing Type	Ladder
Printable Tubing Grade	Military

**Body Features**

Printable Tubing Shrink Ratio	3:1
Primary Product Color	White
Markers per Sleeve	1

**Dimensions**

Product Length	50 mm[2 in]
Supplied Inner Diameter	2.4 mm[.093 in]
Recovered Inside Diameter	.7 mm[.031 in]
Compatible Cable Diameter Range	.8 – 1.9 mm[.032 – .075 in]

**Usage Conditions**

Operating Temperature Range	-55 – 135 °C[-67 – 275 °F]
-----------------------------	----------------------------

**Operation/Application**

Recommended Ribbon	See TE Document 411-121005 the Printer Product Ribbon Matrix
--------------------	--



### Printer/Label Features

Recommended Printer	See TE Document 411-121005 the Printer Product Ribbon Matrix
Printer Technology	Thermal Transfer

### Packaging Features

Packaging Quantity	250
--------------------	-----

### Product Compliance

[For compliance documentation, visit the product page on TE.com>](#)

EU RoHS Directive 2011/65/EU	Compliant
EU ELV Directive 2000/53/EC	Compliant
China RoHS 2 Directive MIIT Order No 32, 2016	No Restricted Materials Above Threshold
EU REACH Regulation (EC) No. 1907/2006	Current ECHA Candidate List: JAN 2021 (211) Candidate List Declared Against: JAN 2021 (211) Does not contain REACH SVHC
Halogen Content	Not Low Halogen - contains Br or Cl > 900 ppm.
Solder Process Capability	Not applicable for solder process capability

#### Product Compliance Disclaimer

This information is provided based on reasonable inquiry of our suppliers and represents our current actual knowledge based on the information they provided. This information is subject to change. The part numbers that TE has identified as EU RoHS compliant have a maximum concentration of 0.1% by weight in homogenous materials for lead, hexavalent chromium, mercury, PBB, PBDE, DBP, BBP, DEHP, DIBP, and 0.01% for cadmium, or qualify for an exemption to these limits as defined in the Annexes of Directive 2011/65/EU (RoHS2). Finished electrical and electronic equipment products will be CE marked as required by Directive 2011/65/EU. Components may not be CE marked. Additionally, the part numbers that TE has identified as EU ELV compliant have a maximum concentration of 0.1% by weight in homogenous materials for lead, hexavalent chromium, and mercury, and 0.01% for cadmium, or qualify for an exemption to these limits as defined in the Annexes of Directive 2000/53/EC (ELV). Regarding the REACH Regulation, the information TE provides on SVHC in articles for this part number is based on the latest European Chemicals Agency (ECHA) 'Guidance on requirements for substances in articles' posted at this URL: <https://echa.europa.eu/guidance-documents/guidance-on-reach>

### Compatible Parts




TE Part # 1-2186500-1  
T3212-PRINTER



TE Part # 1-2186502-1  
T3224-PRINTER



TE Part # 1-2186503-1  
T3224-SWARE-PRINTER



TE Part # CP8122-000  
T6112DS-PRINTER



TE Part # 1-2186501-1  
T3212-SWARE-PRINTER

### Also in the Series | TMS-SCE

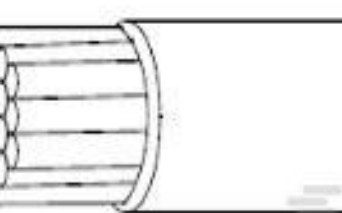


Printable Tubing(142)

### Customers Also Bought



TE Part #0567590001  
TMS-SCE MILITARY GRADE SLEEVES




TE Part #216112-002  
22759/32-22-9



TE Part #38941-22L  
CONTACTS



TE Part #006277-000  
TXR54AC90-1004AI




TE Part #109858-000  
D-181-1222-90/9



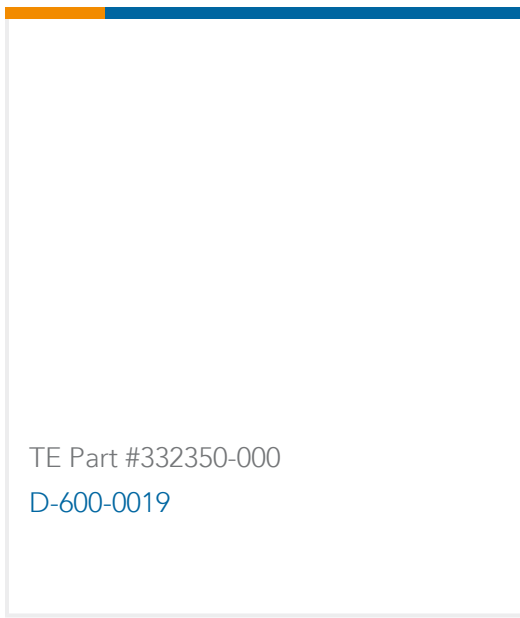
TE Part #3163233001  
55A1131-22-0/2/9-9



TE Part #4152963001  
55A9002-26-0



TE Part #YDTS33Z09NV0010000  
CAP ASSEMBLY



## Documents

### Product Drawings

[TMS-SCE-3/32-2.0-9](#)

English

---

### Datasheets & Catalog Pages

[IDENTIFICATION SELECTION GUIDE](#)

English

---

### Instruction Sheets

[Instruction Sheet \(non U.S.\)](#)

English