



Raychem | Raychem NETM2000

TE Internal #: 6761654002

Raychem NETM2000, Heat Shrink Tubing, Black, Single Wall Type, 6 Expanded Inside Diameter (Min) .236 Expanded Inside Diameter (Min)

[View on TE.com >](#)

Heat Shrink Tubing



Primary Product Color: **Black**

Wall Type: **Single**

Expanded Inside Diameter (Min): **6 mm [ .236 in ]**

Primary Product Material: **Crosslinked Polyolefin**

Heat Shrink Tubing Flammability: **Flame-Retardant**

## Features

### Product Type Features

Wall Type	Single
-----------	--------

### Body Features

Fluid Type	(ATF) Automatic Transmission Fluid, Antifreeze, Brake Fluid, Diesel Fuel, Motor Oil, Power Steering Fluid, Unleaded Gasoline
Primary Product Color	Black
Primary Product Material	Crosslinked Polyolefin
Flexibility	Flexible

### Dimensions

Expanded Inside Diameter (Min)	6 mm [.236 in]
--------------------------------	----------------

### Usage Conditions

Fluid Resistance	Splash Protection
Heat Shrink Tubing Flammability	Flame-Retardant
Operating Temperature Range	-40 – 150 °C
Heat Shrink Tubing Resistance	Fluids, Strain, Wrinkling

### Packaging Features

Packaging Method	Spool
------------------	-------

### Other

Meets Low Outgassing Requirements	No
-----------------------------------	----

Product Source	US
----------------	----

## Product Compliance

[For compliance documentation, visit the product page on TE.com>](#)

EU RoHS Directive 2011/65/EU	Compliant
------------------------------	-----------

EU ELV Directive 2000/53/EC	Compliant
-----------------------------	-----------

China RoHS 2 Directive MIIT Order No 32, 2016	No Restricted Materials Above Threshold
---	---

EU REACH Regulation (EC) No. 1907/2006	Current ECHA Candidate List: JAN 2021 (211) Candidate List Declared Against: JAN 2021 (211) Does not contain REACH SVHC
--	---

Halogen Content	Not Low Halogen - contains Br or Cl > 900 ppm.
-----------------	--

Solder Process Capability	Not applicable for solder process capability
---------------------------	--

### Product Compliance Disclaimer

This information is provided based on reasonable inquiry of our suppliers and represents our current actual knowledge based on the information they provided. This information is subject to change. The part numbers that TE has identified as EU RoHS compliant have a maximum concentration of 0.1% by weight in homogenous materials for lead, hexavalent chromium, mercury, PBB, PBDE, DBP, BBP, DEHP, DIBP, and 0.01% for cadmium, or qualify for an exemption to these limits as defined in the Annexes of Directive 2011/65/EU (RoHS2). Finished electrical and electronic equipment products will be CE marked as required by Directive 2011/65/EU. Components may not be CE marked. Additionally, the part numbers that TE has identified as EU ELV compliant have a maximum concentration of 0.1% by weight in homogenous materials for lead, hexavalent chromium, and mercury, and 0.01% for cadmium, or qualify for an exemption to these limits as defined in the Annexes of Directive 2000/53/EC (ELV). Regarding the REACH Regulation, the information TE provides on SVHC in articles for this part number is based on the latest European Chemicals Agency (ECHA) 'Guidance on requirements for substances in articles' posted at this URL: <https://echa.europa.eu/guidance-documents/guidance-on-reach>

## Compatible Parts

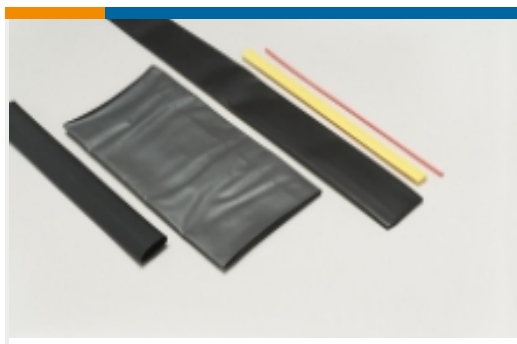


TE Part # CJ2087-000  
HL2010E-KIT-120V



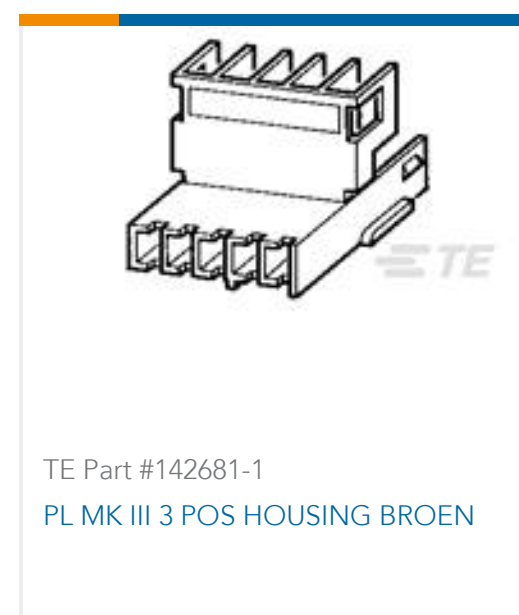
TE Part # EG1114-000  
CV1981-ST-230V1600W-EU

Also in the Series | [Raychem NETM2000](#)



Heat Shrink Tubing(4)

## Customers Also Bought

TE Part #1658694-8  
AMP-LATCH UNIVERSAL HEADERSTE Part #1604079-1  
HSG,2X4 POWER PROD RECPTTE Part #102312-1  
Universal Headers: Ejector LatchTE Part #1801739-1  
MCON, CONNECTOR HOUSINGTE Part #172128-2  
FF 250 REC HSG 1P NYLON BLCBKTE Part #1410135-2  
MULTIGIG RT T2 .8" BP FULL CNTTE Part #142681-1  
PL MK III 3 POS HOUSING BROENTE Part #164160-7  
TYPE 3+ STIFT MQCTE Part #CP4926-000  
ES2000-NO.3-B8-0-65MM-SHTE Part #184322-1  
2X2 PLG ASY KEY F C4

## Documents

### Product Drawings

[NETM2000-6-0-SP](#)

English

### Datasheets & Catalog Pages

[NETM Pages from 1654296-3](#)

English

[Application Tooling for Raychem Heat Shrink Product](#)

English



---

**Product Specifications**

**Quality Specification**

English

---

**Product Environmental Compliance**

**Safety Datasheet**

**Safety Datasheet**

German

**Safety Datasheet**

English

**Safety Datasheet**

English

**Safety Datasheet**

English

**Safety Datasheet**

English

**Safety Datasheet**

**Safety Datasheet**

**Safety Datasheet**

French

**Safety Datasheet**

**Safety Datasheet**

**Safety Datasheet**

**Safety Datasheet**